



[DBPR HOME](#) |
 [ABOUT DBPR](#) |
 [DBPR DIVISIONS](#) |
 [CONTACT DBPR](#)

[BCIS Home](#) |
 [Log In](#) |
 [User Registration](#) |
 [Hot Topics](#) |
 [Submit Surcharge](#) |
 [Stats & Facts](#) |
 [Publications](#) |
 [Contact Us](#) |
 [BCIS Site Map](#) |
 [Links](#) |
 [Search](#)



Product Approval
USER: Public User

[Product Approval Menu](#) > **Application Detail**

OFFICE OF THE SECRETARY

FL #	FL29244-R2								
Application Type	Revision								
Code Version	2023								
Application Status	Approved								
Comments									
Archived	<input type="checkbox"/>								
Product Manufacturer	Sunshine Windows Manufacturing Inc.								
Address/Phone/Email	1745 West 33rd Place Hialeah, FL 33012 (305) 364-9952 Ext 109 noel_m_2001@yahoo.com								
Authorized Signature	Jalal Farooq veronica@afceng.com								
Technical Representative									
Address/Phone/Email									
Quality Assurance Representative									
Address/Phone/Email									
Category	Windows								
Subcategory	Single Hung								
Compliance Method	Evaluation Report from a Florida Registered Architect or a Licensed Florida Professional Engineer <input type="checkbox"/> Evaluation Report - Hardcopy Received								
Florida Engineer or Architect Name who developed the Evaluation Report	Jalal Farooq								
Florida License	PE-81223								
Quality Assurance Entity	Keystone Certifications, Inc.								
Quality Assurance Contract Expiration Date	02/28/2029								
Validated By	Abel Carrasco, PE <input checked="" type="checkbox"/> Validation Checklist - Hardcopy Received								
Certificate of Independence	FL29244 R2 COI SS - Certificate of Independence.pdf								
Referenced Standard and Year (of Standard)	<table border="0"> <thead> <tr> <th>Standard</th> <th>Year</th> </tr> </thead> <tbody> <tr> <td>TAS 201</td> <td>1994</td> </tr> <tr> <td>TAS 202</td> <td>1994</td> </tr> <tr> <td>TAS 203</td> <td>1994</td> </tr> </tbody> </table>	Standard	Year	TAS 201	1994	TAS 202	1994	TAS 203	1994
Standard	Year								
TAS 201	1994								
TAS 202	1994								
TAS 203	1994								
Equivalence of Product Standards Certified By									
Sections from the Code									

Product Approval Method

Method 1 Option D

Date Submitted

07/28/2023

Date Validated

07/30/2023

Date Pending FBC Approval

08/02/2023

Date Approved

10/17/2023

Summary of Products

FL #	Model, Number or Name	Description
29244.1	Series 2000 Aluminum Single Hung Window	Large missile impact resistant aluminum single hung window.
Limits of Use Approved for use in HVHZ: Yes Approved for use outside HVHZ: Yes Impact Resistant: Yes Design Pressure: +90/-90 Other: See drawing 19-24F for span vs load combinations and installation details.		Installation Instructions FL29244_R2_II_SS - 2000_SH (LMI) - DWG 19-24F (2023).pdf Verified By: Jalal Farooq PE # 81223 Created by Independent Third Party: Yes Evaluation Reports FL29244_R2_AE_SS - 2000_SH (LMI) - PAE 2023.pdf Created by Independent Third Party: Yes
29244.2	Series 2000 Aluminum Single Hung Window	Non-impact resistant aluminum single hung window.
Limits of Use Approved for use in HVHZ: Yes Approved for use outside HVHZ: Yes Impact Resistant: No Design Pressure: +75/-112.5 Other: See drawing 19-17F for span vs load combinations and installation details.		Installation Instructions FL29244_R2_II_SS - 2000_SH (NI) - DWG 19-17F (2023).pdf Verified By: Jalal Farooq PE # 81223 Created by Independent Third Party: Yes Evaluation Reports FL29244_R2_AE_SS - 2000_SH (NI) - PAE 2023.pdf Created by Independent Third Party: Yes

[Back](#)

[Next](#)

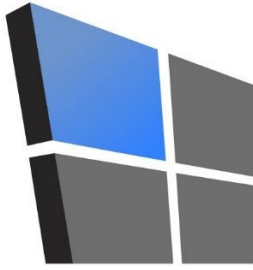
Contact Us :: [2601 Blair Stone Road, Tallahassee FL 32399](#) Phone: 850-487-1824

The State of Florida is an AA/EEO employer. [Copyright 2007-2013 State of Florida.](#) :: [Privacy Statement](#) :: [Accessibility Statement](#) :: [Refund Statement](#)

Under Florida law, email addresses are public records. If you do not want your e-mail address released in response to a public-records request, do not send electronic mail to this entity. Instead, contact the office by phone or by traditional mail. If you have any questions, please contact 850.487.1395. *Pursuant to Section 455.275(1), Florida Statutes, effective October 1, 2012, licensees licensed under Chapter 455, F.S. must provide the Department with an email address if they have one. The emails provided may be used for official communication with the licensee. However email addresses are public record. If you do not wish to supply a personal address, please provide the Department with an email address which can be made available to the public. To determine if you are a licensee under Chapter 455, F.S., please click [here](#).

Product Approval Accepts:





AL-FAROOQ CORPORATION

CONSULTING ENGINEERS & PRODUCT DEVELOPMENT

August 11, 2020

Product Approval Administrator
Building Codes & Standards Section
Department of Business & Professional Regulations
1940 North Monroe Street, Suite 90
Tallahassee, FL 32399-2100

To whom it may concern,

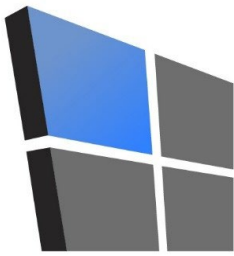
As the design engineer retained to prepare the product approval(s) associated with this letter as shown below on this same web page, I do hereby declare that I do not have and will not have any financial interest in any company manufacturing or distributing the referenced product(s), nor do I have or will have any financial interest with any other entity involved in the approval process of the referenced product(s).

Sincerely,



Sealed 8-11-2020

Jalal Farooq, P.E.
CFO



AL-FAROOQ CORPORATION

CONSULTING ENGINEERS & PRODUCT DEVELOPMENT

PRODUCT APPROVAL EVALUATION RULE CHAPTER #61G20-3 • METHOD 1 OPTION D

FL 29244

Date: 07/28/2023

Detailed Product Description:

Manufacturer: SUNSHINE WINDOWS MANUFACTURING INC.

Manufacturer Address: 1785 W 33 PLACE, HIALEAH, FL 33012

Model Name: SERIES "2000" ALUMINUM SINGLE HUNG WINDOW

Maximum Load: +90, -130 PSF (Large Missile Impact)

Installation Drawings # 19-24F

This product complies with the High Velocity Hurricane Zone (HVHZ) testing requirements.					
For maximum sizes, combination of span vs loads and anchor type refer to installation drawings.					
Comparative analysis used <input checked="" type="checkbox"/> Yes <input type="checkbox"/> No					
Mandatory Tests (Tested in accordance with AAMA 101/I.S.2/NAFS/TAS-202)					
Test	Description	Test Location	Test Report Date	Test Report #	Test Sealed By
ASTM E283	Air Infiltration Leakage	Fenestration Testing Laboratory, Inc	8/17/2007	FTL-5252	Carlos S. Rionda, P.E
			10/2/2007	FTL-5253	Carlos S. Rionda, P.E
			3/5/2019	FTL-10169	Idalmis Ortega, P.E.
			8/3/2017	FTL-8861	Idalmis Ortega, P.E.
			8/3/2017	FTL-9574	Idalmis Ortega, P.E.
ASTM E331 OR ASTM E547 & TAS 202	Water Penetration	Fenestration Testing Laboratory, Inc	8/17/2007	FTL-5252	Carlos S. Rionda, P.E
			10/2/2007	FTL-5253	Carlos S. Rionda, P.E
			3/5/2019	FTL-10169	Idalmis Ortega, P.E.
			8/3/2017	FTL-8861	Idalmis Ortega, P.E.
			8/3/2017	FTL-9574	Idalmis Ortega, P.E.
ASTM E330 & TAS 202	Uniform Static Air Press.	Fenestration Testing Laboratory, Inc	8/17/2007	FTL-5252	Carlos S. Rionda, P.E
			10/2/2007	FTL-5253	Carlos S. Rionda, P.E
			3/5/2019	FTL-10169	Idalmis Ortega, P.E.
			8/3/2017	FTL-8861	Idalmis Ortega, P.E.
			8/3/2017	FTL-9574	Idalmis Ortega, P.E.
ASTM F588	Forced Entry Test	Fenestration Testing Laboratory, Inc	8/17/2007	FTL-5252	Carlos S. Rionda, P.E
			10/2/2007	FTL-5253	Carlos S. Rionda, P.E
			3/5/2019	FTL-10169	Idalmis Ortega, P.E.
			8/3/2017	FTL-8861	Idalmis Ortega, P.E.
			8/3/2017	FTL-9574	Idalmis Ortega, P.E.

THESE WINDOWS ARE RATED FOR LARGE & SMALL MISSILE IMPACT. SHUTTERS ARE NOT REQUIRED.

**SERIES-2000
ALUMINUM SINGLE HUNG WINDOW**

DESIGN LOAD RATINGS FOR THESE WINDOWS TO BE AS PER CHARTS SHOWN ON SHEET 2.

APPROVAL APPLIES TO SINGLE UNITS OR SIDE BY SIDE COMBINATIONS OF S.H./S.H. OR SINGLE HUNG WITH OTHER WINDOW TYPES IN MODULES OF TWO OR MORE WINDOWS USING F.B.C. APPROVED MULLIONS IN BETWEEN.

FOR COMBINATIONS OF S.H./S.H. WINDOWS IN MODULES OF TWO OR MORE WINDOWS USING SUNSHINE CUSTOM MULLION IN BETWEEN SEE CHART ON SHEET 5.

LOWER DESIGN PRESSURE FROM WINDOWS OR MULLION APPROVAL WILL APPLY TO ENTIRE SYSTEM.

THIS PRODUCT HAS BEEN DESIGNED AND TESTED TO COMPLY WITH THE REQUIREMENTS OF THE 2020 (7TH EDITION)/2023 (8TH EDITION) FLORIDA BUILDING CODE INCLUDING HIGH VELOCITY HURRICANE ZONE (HVHZ).

1BY OR 2BY WOOD BUCKS & BUCK FASTENERS BY OTHERS, MUST BE DESIGNED AND INSTALLED ADEQUATELY TO TRANSFER APPLIED PRODUCT LOADS TO THE BUILDING STRUCTURE.

ANCHORS SHALL BE CORROSION RESISTANT, SPACED AS SHOWN ON DETAILS AND INSTALLED PER MANUF'S INSTRUCTIONS. SPECIFIED EMBEDMENT TO BASE MATERIAL SHALL BE BEYOND WALL DRESSING OR STUCCO.

A LOAD DURATION INCREASE IS USED IN DESIGN OF ANCHORS INTO WOOD ONLY.

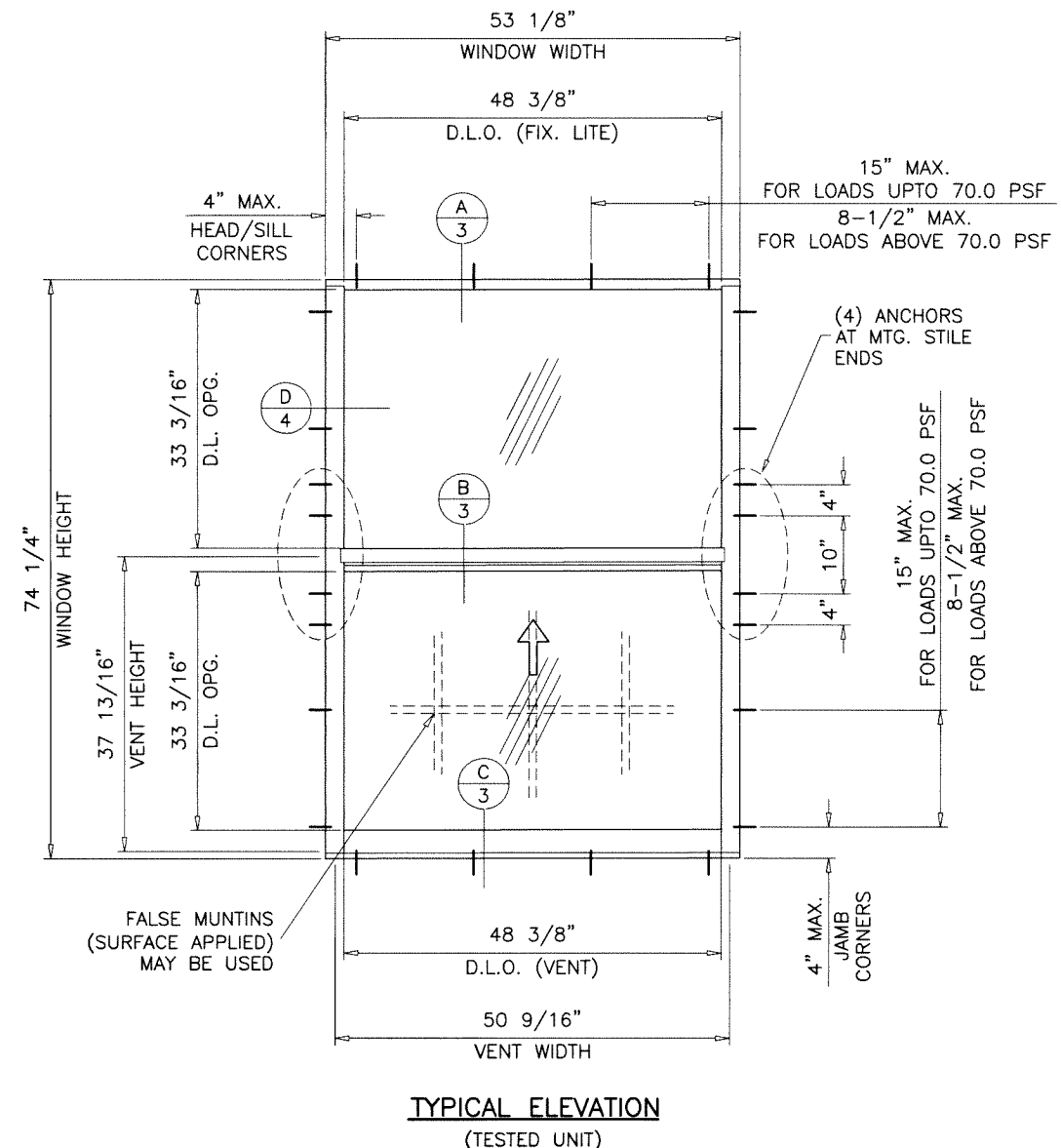
ALL SHIMS TO BE HIGH IMPACT, NON-METALLIC AND NON-COMPRESSIBLE.

MATERIALS INCLUDING BUT NOT LIMITED TO STEEL/METAL SCREWS, THAT COME INTO CONTACT WITH OTHER DISSIMILAR MATERIALS SHALL MEET THE REQUIREMENTS OF THE 2020/2023 FLORIDA BLDG. CODE & ADOPTED STANDARDS.

THIS PRODUCT APPROVAL IS GENERIC AND DOES NOT PROVIDE INFORMATION FOR A SITE SPECIFIC PROJECT, i.e. LIFE SAFETY OF THIS PRODUCT, ADEQUACY OF STRUCTURE RECEIVING THIS PRODUCT AND SEALING AROUND OPENING FOR WATER INFILTRATION RESISTANCE ETC. CONDITIONS NOT SHOWN IN THIS DRAWING ARE TO BE ANALYZED SEPARATELY, AND TO BE REVIEWED BY BUILDING OFFICIAL.

DESIGN LOADS SHOWN ARE BASED ON 'ALLOWABLE STRESS DESIGN (ASD)'.

MANUFACTURER'S LABEL SHALL BE LOCATED ON A READILY VISIBLE LOCATION IN ACCORDANCE WITH SECTION 1709.9.3 OF FLORIDA BUILDING CODE. LABELING TO COMPLY WITH SECTION 1709.9.2.

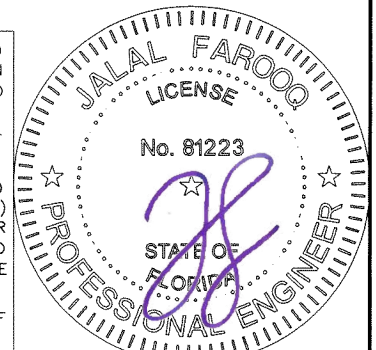


TYPICAL ELEVATION
(TESTED UNIT)

Sealed: 7/26/2023

FL #29244

- A- CONTRACTOR TO BE RESPONSIBLE FOR THE SELECTION, PURCHASE AND INSTALLATION OF THIS PRODUCT BASED ON THIS PRODUCT EVALUATION PROVIDED HE/SHE DOES NOT DEVIATE FROM THE CONDITIONS DETAILED ON THIS DOCUMENT.
- B- THIS PRODUCT EVALUATION DOCUMENT WILL BE CONSIDERED INVALID IF ALTERED BY ANY MEANS.
- C- SITE SPECIFIC PROJECTS SHALL BE PREPARED BY A FLORIDA REGISTERED ENGINEER OR ARCHITECT WHICH WILL BECOME THE ENGINEER OF RECORD (E.O.R.) FOR THE PROJECT AND WHO WILL BE RESPONSIBLE FOR THE PROPER USE OF THE P.E.D. ENGINEER OF RECORD, ACTING AS A DELEGATED ENGINEER TO THE P.E.D. ENGINEER SHALL SUBMIT TO THIS LATTER THE SITE SPECIFIC DRAWINGS FOR REVIEW.
- D- THIS P.E.D. SHALL BEAR THE DATE AND ORIGINAL SEAL AND SIGNATURE OF THE PROFESSIONAL ENGINEER OF RECORD THAT PREPARED IT.



af c
AL-FAROOQ CORPORATION
ENGINEERS & PRODUCT DEVELOPMENT
9360 SUNSET DRIVE, SUITE 220 (C.A.N. 3538)
MIAMI, FLORIDA 33173
TEL. (305) 264-8100 FAX. (305) 262-6978
COMP-ANL \ 19-24F-SWM

SERIES-2000 ALUM SINGLE HUNG WDW. (L.M.I.)
Sunshine Windows Manufacturing, Inc.
1785 West 33rd Place
Hialeah, FL 33012
Tel. (305) 364-9952 Fax. (305) 828-5118

no	date	description	by
A	08.28.20	UPDATED TO 2020 FBC	
B	07.21.23	UPDATED TO 2023 FBC	

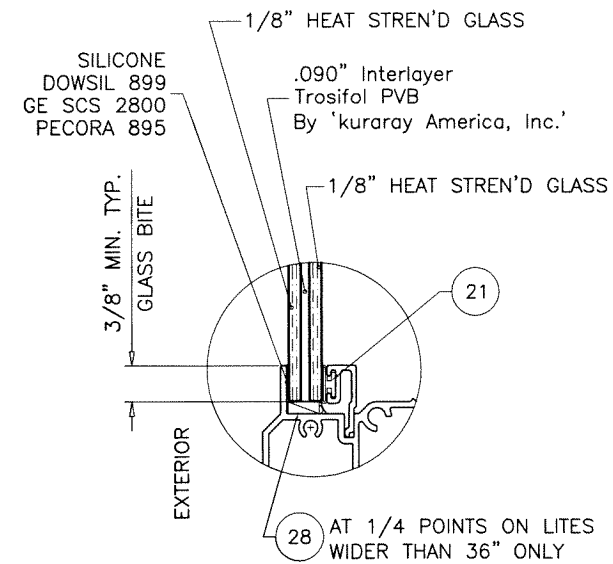
date: 03-11-19
scale: 1/2"=1'-0"
dr. by: TARIO
chk. by:

drawing no.
19-24F

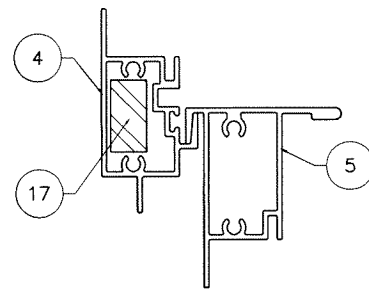
sheet 1 of 7

DESIGN LOAD CAPACITY - PSF					
FRAME DIMS.		FIXED RAIL REINF.		FIX. & MTG. RAILS REINF.	
WIDTH	HEIGHT	EXT.(+)	1NT.(-)	EXT.(+)	1NT.(-)
19-1/8"	26"	90.0	90.0	90.0	130.0
26-1/2"		90.0	90.0	90.0	130.0
37"		90.0	90.0	90.0	130.0
53-1/8"		65.0	70.0	65.0	70.0
19-1/8"	38-3/8"	90.0	90.0	90.0	130.0
26-1/2"		90.0	90.0	90.0	130.0
37"		90.0	90.0	90.0	130.0
53-1/8"		65.0	70.0	65.0	70.0
19-1/8"	50-5/8"	90.0	90.0	90.0	130.0
26-1/2"		90.0	90.0	90.0	130.0
37"		90.0	90.0	90.0	130.0
53-1/8"		65.0	70.0	65.0	70.0
19-1/8"	63"	90.0	90.0	90.0	130.0
26-1/2"		90.0	90.0	90.0	130.0
37"		70.0	75.0	80.0	130.0
53-1/8"		65.0	70.0	65.0	70.0
19-1/8"	74-1/4"	90.0	90.0	90.0	130.0
26-1/2"		70.0	75.0	80.0	130.0
37"		70.0	75.0	80.0	130.0
53-1/8"		65.0	70.0	65.0	70.0
19-1/8"	76"	70.0	75.0	80.0	130.0
26-1/2"		70.0	75.0	80.0	130.0
37"		65.0	70.0	65.0	70.0

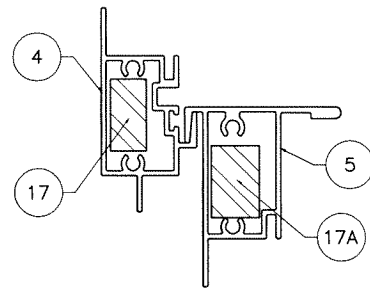
DESIGN LOAD CAPACITY - PSF					
FRAME DIMS.		FIXED RAIL REINF.		FIX. & MTG. RAILS REINF.	
WIDTH	HEIGHT	EXT.(+)	1NT.(-)	EXT.(+)	1NT.(-)
24"	48"	90.0	90.0	90.0	130.0
30"		90.0	90.0	90.0	130.0
32"		90.0	90.0	90.0	130.0
36"		90.0	90.0	90.0	130.0
42"		65.0	70.0	65.0	70.0
48"	65.0	70.0	65.0	70.0	
24"	60"	90.0	90.0	90.0	130.0
30"		90.0	90.0	90.0	130.0
32"		70.0	75.0	80.0	130.0
36"		70.0	75.0	80.0	130.0
42"		65.0	70.0	65.0	70.0
48"	65.0	70.0	65.0	70.0	
24"	72"	90.0	90.0	90.0	130.0
30"		70.0	75.0	80.0	130.0
32"		70.0	75.0	80.0	130.0
36"		70.0	75.0	80.0	130.0
42"		65.0	70.0	65.0	70.0
48"	65.0	70.0	65.0	70.0	
24"	84"	65.0	70.0	65.0	70.0
30"		65.0	70.0	65.0	70.0
32"		65.0	70.0	65.0	70.0
36"		65.0	70.0	65.0	70.0
42"		65.0	70.0	65.0	70.0



GLAZING DETAIL
5/16" OVERALL LAM. GLASS



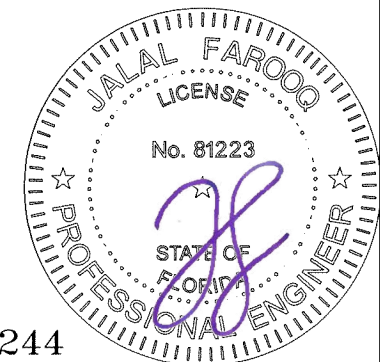
FIXED RAIL REINF.



FIX. & MTG. RAILS REINF.

NOTE:
GLASS CAPACITIES ON THIS SHEET ARE
BASED ON ASTM E1300-09 (3 SEC. GUSTS)
AND FLORIDA BUILDING COMMISSION
DECLARATORY STATEMENT DCA05-DEC-219

Sealed: 7/26/2023



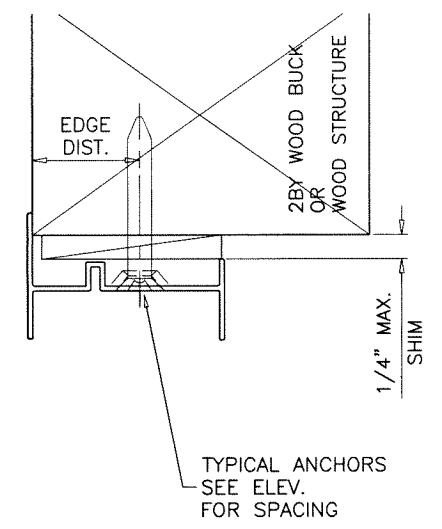
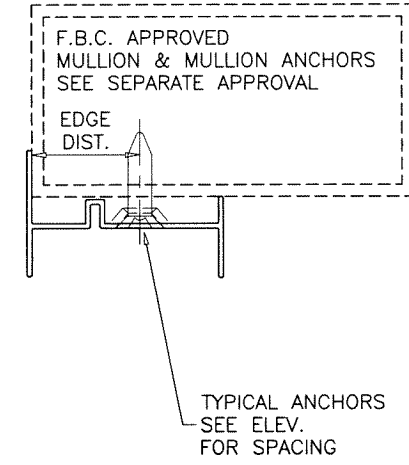
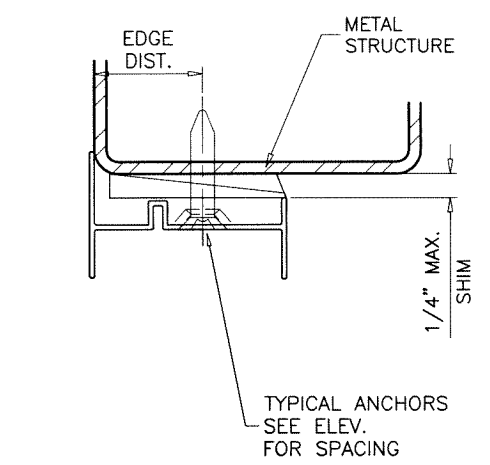
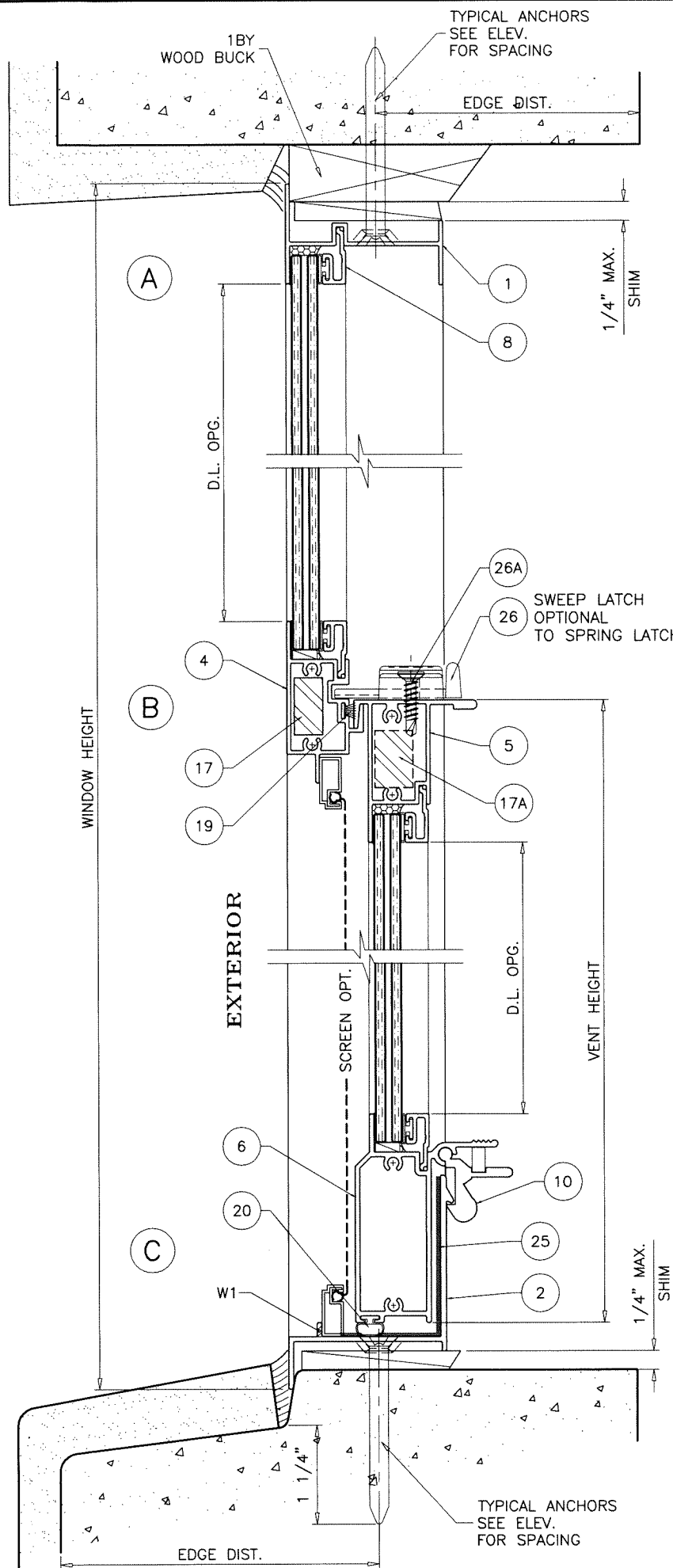
FL #29244

afc

AL-FAROOQ CORPORATION
ENGINEERS & PRODUCT DEVELOPMENT
9360 SUNSET DRIVE, SUITE 220
MIAMI, FLORIDA 33173
TEL. (305) 264-8100 FAX. (305) 262-6978
COMP-ANL 19-24F-SWM

SERIES-2000 ALUM SINGLE HUNG WDW. (L.M.I.)
Sunshine Windows Manufacturing, Inc.
1785 West 33rd Place
Hialeah, FL. 33012
Tel. (305) 364-9952 Fax. (305) 828-5118

revisions:	no	date	by	description
date:	03-11-19	scale:	-	
dr. by:	TARIQ	chk. by:		
drawing no.	19-24F			
sheet	2 of 7			



WOOD BUCKS AND METAL STRUCTURE NOT BY 'SUNSHINE WDWS.' MUST SUSTAIN LOADS IMPOSED BY GLAZING SYSTEM AND TRANSFER THEM TO THE BUILDING STRUCTURE.

WEEPHOLES:

W1 = 3/4" LONG WEEP NOTCH AT EACH END.

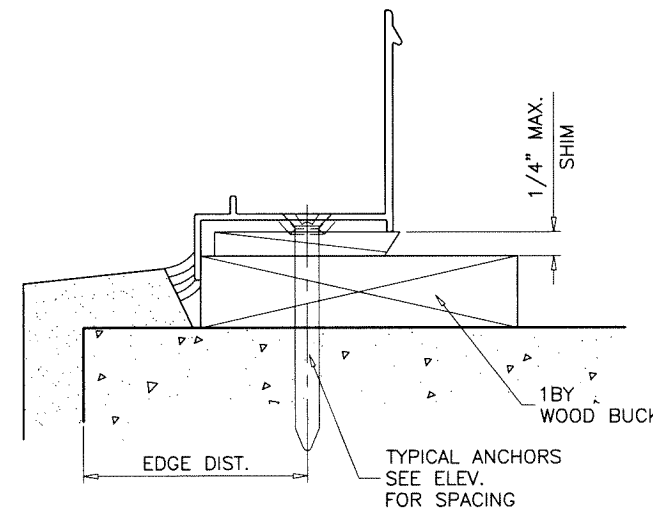
TYPICAL ANCHORS: SEE ELEV. FOR SPACING

- 1/4" DIA. ULTRACON+ BY 'DEWALT'** (Fu=164 KSI, Fy=148 KSI)
 - INTO 2BY WOOD BUCKS OR WOOD STRUCTURES
 - 1-1/2" MIN. PENETRATION INTO WOOD (HEAD/SILL/JAMBS)
 - THRU 1BY BUCKS INTO CONC. OR BLOCKS
 - 1-1/4" MIN. EMBED INTO CONCRETE (HEAD/SILL/JAMBS)
 - 1-1/4" MIN. EMBED INTO BLOCKS (JAMBS)
- 1/4" DIA. TEKS OR SELF DRILLING SCREWS** (GRADE 5 CRS)
 - INTO F.B.C. APPROVED MULLIONS
 - OR
 - INTO METAL STRUCTURES (HEAD/SILL/JAMBS)
 - (3) THREADS MIN. TO EXTEND BEYOND METAL THICKNESS
 - ALUMINUM: 1/8" THK. MIN. (6063-T5 MIN.)
 - STEEL: 1/8" THK. MIN. (Fy = 36 KSI MIN.)
 - (STEEL IN CONTACT WITH ALUMINUM TO BE PLATED OR PAINTED)

TYPICAL EDGE DISTANCE

- INTO CONCRETE AND BLOCKS = 2-1/2" MIN.
- INTO WOOD STRUCTURE = 1" MIN.
- INTO METAL STRUCTURE = 3/4" MIN.

- WOOD AT HEAD, SILL OR JAMBS SG = 0.55 MIN.
- CONCRETE AT HEAD, SILL OR JAMBS f'c = 3000 PSI MIN.
- C-90 HOLLOW/FILLED BLOCK AT JAMBS f'm = 2000 PSI MIN.



Sealed: 7/26/2023



FL #29244

afc

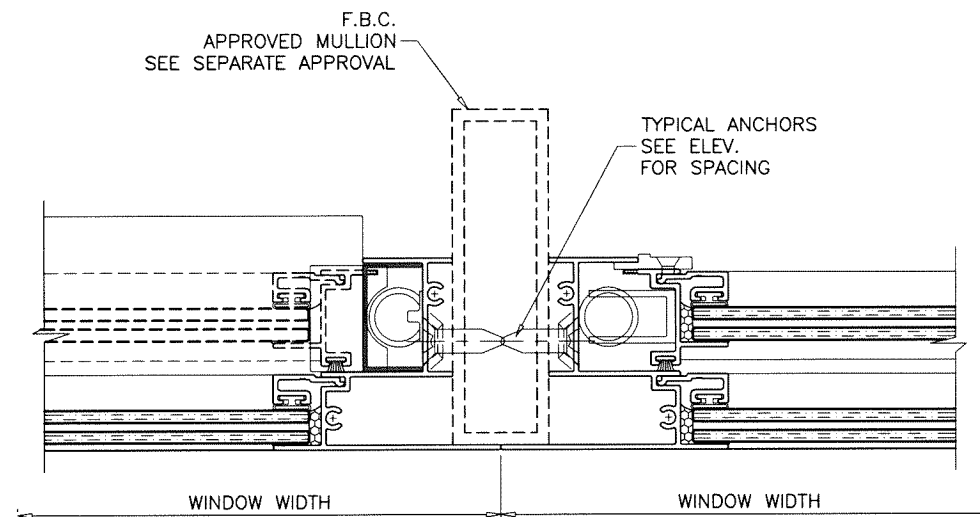
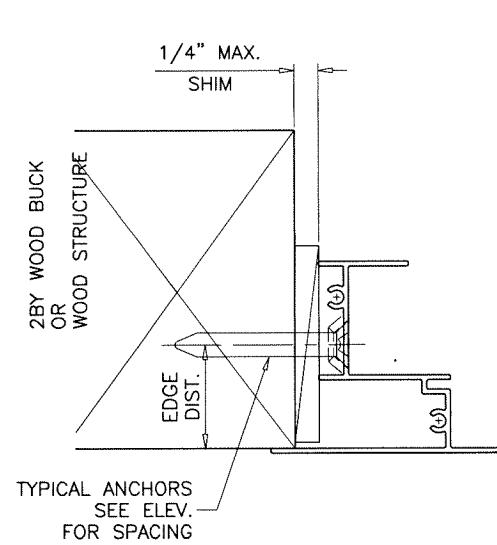
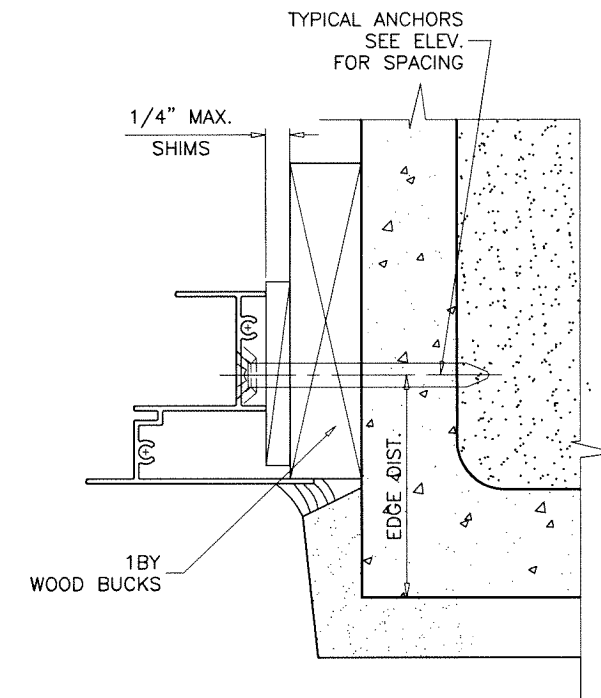
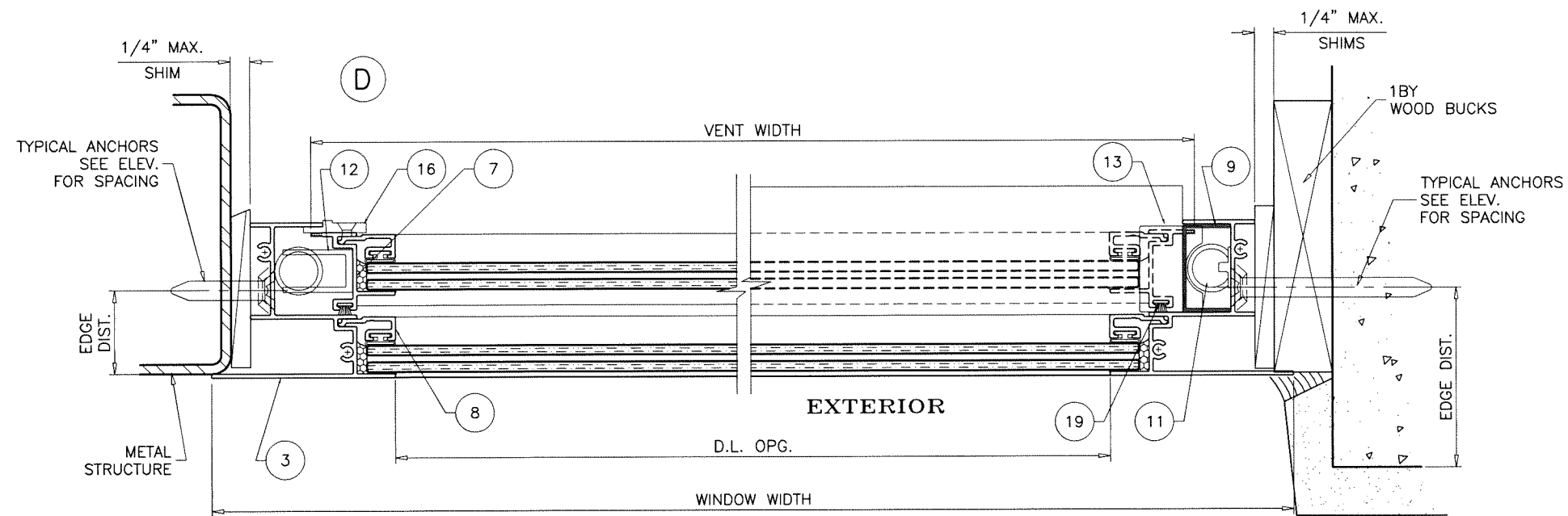
AL-FAROOQ CORPORATION
 ENGINEERS & PRODUCT DEVELOPMENT
 9360 SUNSET DRIVE, SUITE 220
 MIAMI, FLORIDA 33173 (C.A.N. 3538)
 TEL. (305) 264-8100 FAX. (305) 262-6978
 COMP-ANI\19-24F-SWM

SERIES-2000 ALUM SINGLE HUNG WDW. (L.M.I.)
Sunshine Windows Manufacturing, Inc.
 1785 West 33rd Place
 Hialeah, FL. 33012
 Tel. (305) 364-9952 Fax. (305) 828-5118

revisions:	
no	description

date: 03-11-19
 scale: 1/2" = 1"
 dr. by: TARIQ
 chk. by:

drawing no.
19-24F
 sheet 3 of 7



afc
AL-FAROOQ CORPORATION
 ENGINEERS & PRODUCT DEVELOPMENT
 9360 SUNSET DRIVE, SUITE 220 (C.A.N. 3538)
 MIAMI, FLORIDA 33173 TEL. (305) 264-8100 FAX. (305) 262-6978
 COMP-ANL \ 19-24F-SWM

SERIES-2000 ALUM SINGLE HUNG WDW. (L.M.I.)
Sunshine Windows Manufacturing, Inc.
 1785 West 33rd Place
 Hialeah, FL 33012
 Tel. (305) 364-9952 Fax. (305) 828-5118

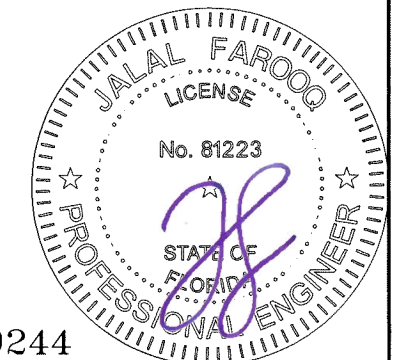
revisions:	no	date	by	description

date: 03-11-19
 scale: 1/2" = 1"
 dr. by: TARIQ
 chk. by:

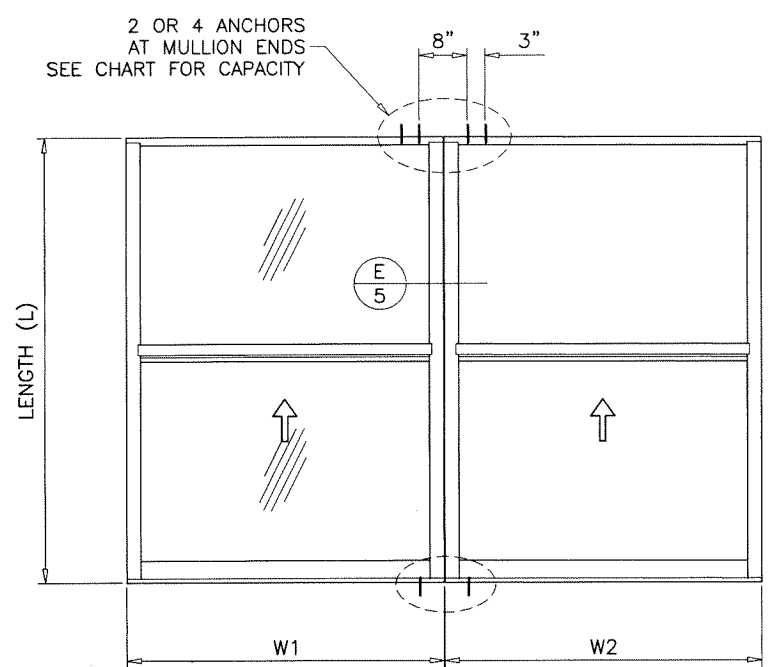
drawing no.
19-24F
 sheet 4 of 7

Sealed: 7/26/2023

FL #29244

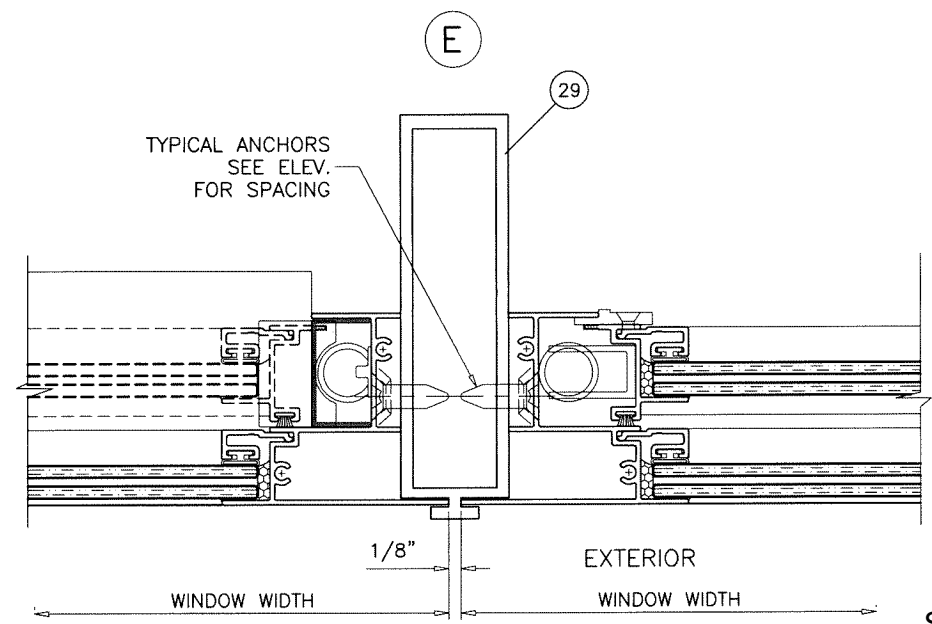


MULLION LOAD CAPACITY - PSF			
WINDOW DIMS.		2 ANCHOR	4 ANCHORS
WIDTH (W)	LENGTH (L)	EXT.(+) INT.(-)	EXT.(+) INT.(-)
19-1/8"	26"	75.0	75.0
26-1/2"		75.0	75.0
37"		75.0	75.0
53-1/8"		75.0	75.0
19-1/8"	38-3/8"	75.0	75.0
26-1/2"		75.0	75.0
37"		75.0	75.0
53-1/8"		75.0	75.0
19-1/8"	50-5/8"	75.0	75.0
26-1/2"		75.0	75.0
37"		69.1	75.0
53-1/8"		64.1	75.0
19-1/8"	63"	75.0	75.0
26-1/2"		62.3	75.0
37"		49.9	75.0
19-1/8"	74-1/4"	66.4	75.0
26-1/2"		50.8	75.0
37"		39.8	75.0
24"	48"	75.0	75.0
30"		75.0	75.0
32"		75.0	75.0
36"		75.0	75.0
42"		72.4	75.0
48"	71.3	75.0	
24"	60"	71.3	75.0
30"		60.8	75.0
32"		58.3	75.0
36"		54.3	75.0
42"		50.1	75.0
24"	72"	57.0	75.0
30"		48.0	75.0
32"		45.8	75.0
36"		42.3	75.0



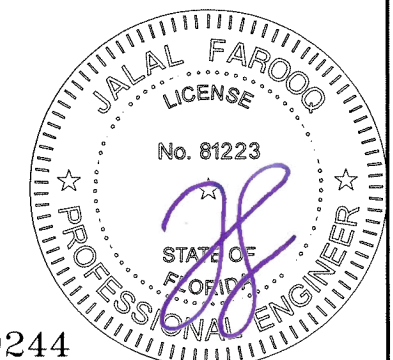
TYPICAL ELEVATIONS
 SIDE BY SIDE WINDOWS
 SIDE BY SIDE APPLIES TO TWO OR MORE WINDOWS

$$\text{WIDTH (W)} = \frac{W1 + W2}{2}$$



S.H. TO S.H.

Sealed: 7/26/2023



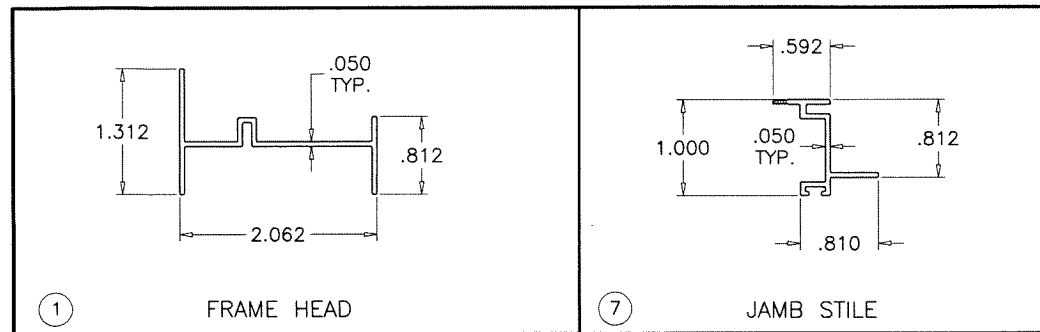
- NOTES:**
1. USE CHART ON THIS SHEET FOR SIDE BY SIDE CONNECTION CAPACITY OF WINDOW MULLION.
 2. FOR SINGLE HUNG WINDOW CAPACITY SEE SHEET 2.
 3. LOWER VALUES FROM STEPS 1 OR 2 WILL APPLY TO ENTIRE SYSTEM.

af c
AL-FAROOQ CORPORATION
 ENGINEERS & PRODUCT DEVELOPMENT
 9360 SUNSET DRIVE, SUITE 220
 MIAMI, FLORIDA 33173
 TEL. (305) 264-8100 FAX. (305) 262-6978
 (C.A.N. 3538)
 COMP-ANL\19-24F-SWM

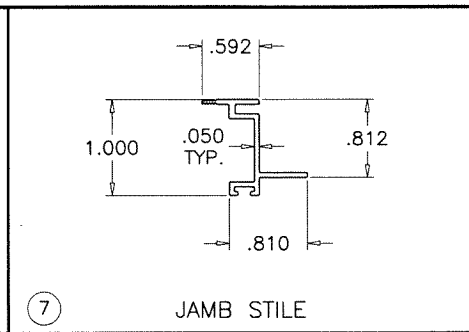
SERIES-2000 ALUM SINGLE HUNG WDW. (L.M.I.)
Sunshine Windows Manufacturing, Inc.
 1785 West 33rd Place
 Hialeah, FL. 33012
 Tel. (305) 364-9952 Fax. (305) 828-5118

revisions:	no	date	by	description
date:	03-11-19	scale:	1/2" = 1"	
dr. by:	TARIQ	chk. by:		
drawing no.	19-24F			
sheet	5 of 7			

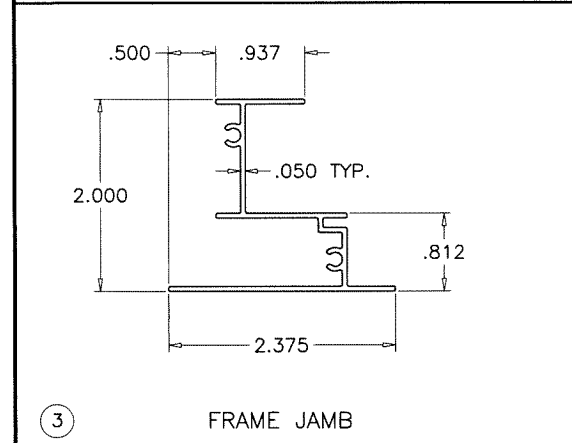
FL #29244



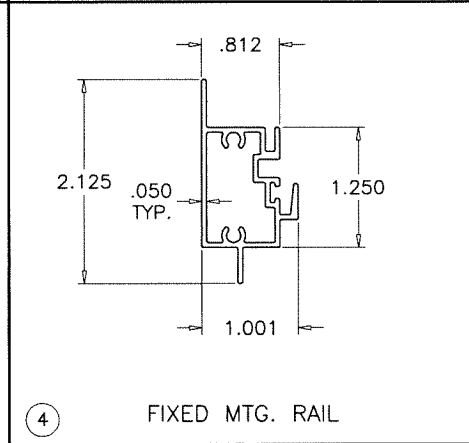
① FRAME HEAD



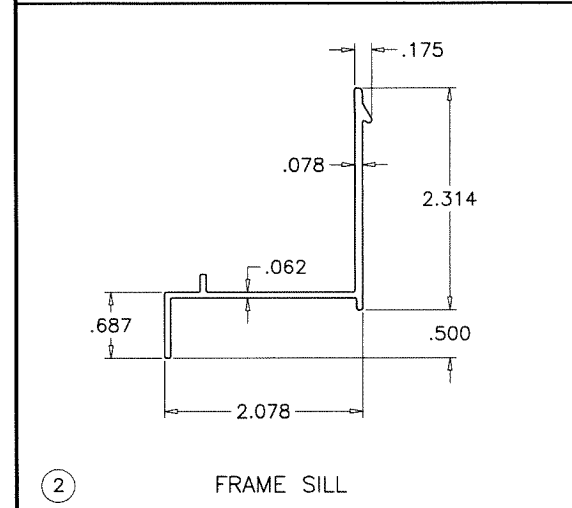
⑦ JAMB STILE



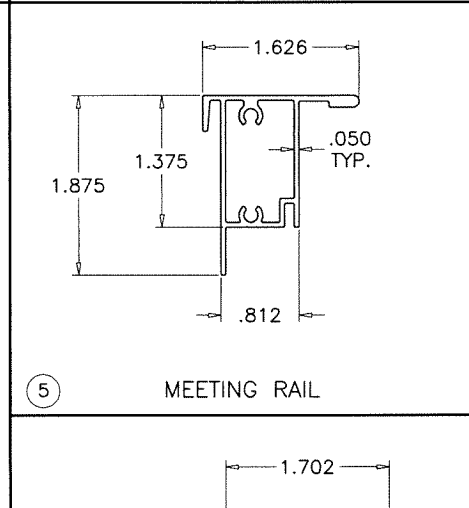
③ FRAME JAMB



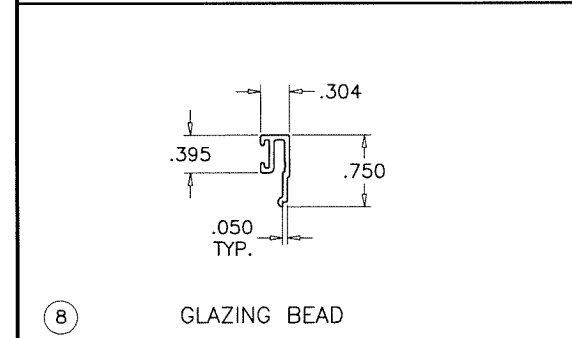
④ FIXED MTG. RAIL



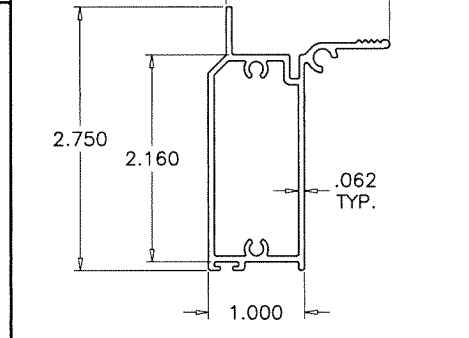
② FRAME SILL



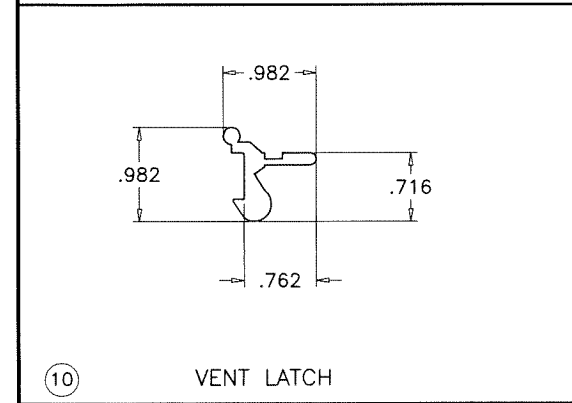
⑤ MEETING RAIL



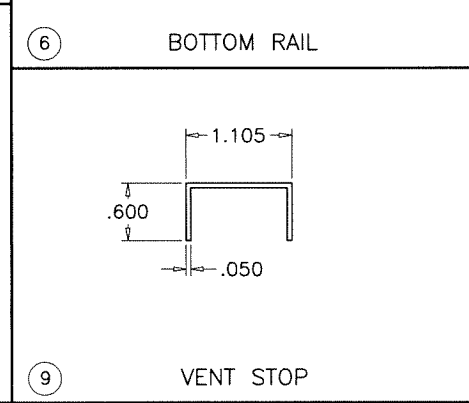
⑧ GLAZING BEAD



⑥ BOTTOM RAIL

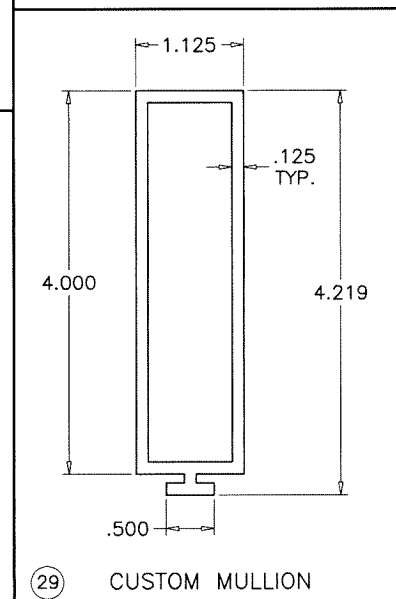


⑩ VENT LATCH

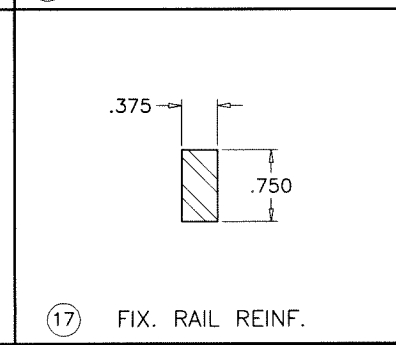


⑨ VENT STOP

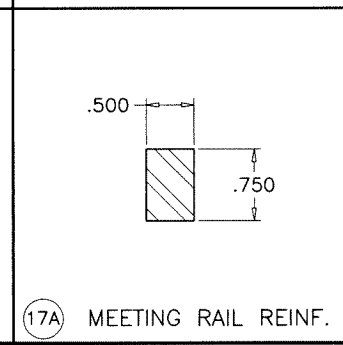
ITEM	PART #	QUANTITY	DESCRIPTION	MATERIAL	MANF./SUPPLIER/REMARKS
1	30682A	1	FRAME HEAD	6063-T6	-
2	43354A	1	FRAME SILL	6063-T6	-
3	30683A	2	FRAME JAMB	6063-T6	-
4	40111A	1	FIXED MTG. RAIL	6063-T6	-
5	30680A	1	VENT TOP RAIL	6063-T6	-
6	43355A	1	VENT BOTTOM RAIL	6063-T6	-
7	30681A	2	JAMB STILE	6063-T6	-
8	30684B	AS REQD.	GLAZING BEAD	6063-T6	-
9	SSW-081	2	VENT STOP	6063-T6	-
10	LL-900	2/ VENT	VENT LATCH WITH S/S SPRING, AT 8" FROM EACH END	6063-T6	-
11	30-HD-NBA	2/ VENT	SPIRAL BALANCE	STEEL/PLASTIC	-
12	N-60-62	2/ VENT	BALANCE HOOK	STEEL	-
13	-	2/ VENT	BALANCE GUIDE	VINYL	-
14	WLDNH-008	1/ BALANCE	WELD NUT	STEEL	-
15	#8 X 1"	AS REQD.	FRAME/VENT ASSEMBLY SCREWS	CRS	P.H. SMS
16	-	4/ VENT	VENT GUIDE	VINYL	-
17	-	AS REQD.	FIX. RAIL REINF., FULL LENGTH	STEEL	-
17A	-	AS REQD.	MEETING RAIL REINF., FULL LENGTH	STEEL	-
18	754-0931639	AS REQD.	DOUBLE FACE GLAZING TAPE	PE FOAM	ZIALOC
19	W33191NK000B	AS REQD.	FIN SEAL W'STRIPPING	POLYPROPYLENE	ULTRAFAB
20	MPI P/N 83002	AS REQD.	BULB SEAL W'STRIPPING	SANTOPRENE	MELTPOINT, DUROMETER 65±5
21	MPI P/N 83008	AS REQD.	GLAZING BEAD BULB	VINYL	MELTPOINT
23	BOSTIK 915	AS REQD.	EXTERIOR CORNER SEALANT	POLYURETHANE	-
25	2AP-XB-0062	2/ FRAME	WATER BARRIER	FOAM	-
26	SL208-BKR/WHR	2/ VENT	SWEEP LATCH, 12-1/2" FROM EACH END	ZINC	SULLIVAN & ASSOCIATES
26A	#8 X 3/4"	2/ LATCH	LATCH INST. SCREW	ST. STEEL	FH SMS
27	-	1/ VENT	5/16" BOX SCREEN	-	OPTIONAL
28	-	AS REQD.	SETTING BLOCKS AT 1/4 POINTS	EPDM	DUROMETER 80±5 SHORE A
29	49967	AS REQD.	CUSTOM MULLION	6063-T6	-



⑳ CUSTOM MULLION



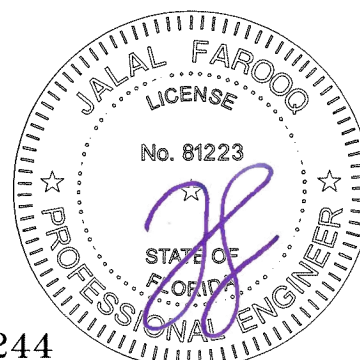
⑰ FIX. RAIL REINF.



⑰A MEETING RAIL REINF.

SEALANT:

ALL JOINTS AND FRAME CONNECTIONS SEALED WITH SCHNEE MOREHEAD SM-5504 JOINT SEALER.



Sealed: 7/26/2023

FL #29244

af c
AL-FAROOQ CORPORATION
 ENGINEERS & PRODUCT DEVELOPMENT
 9360 SUNSET DRIVE, SUITE 220
 MIAMI, FLORIDA 33173
 TEL. (305) 264-8100 FAX. (305) 262-6978
 (C.A.N. 3538)

SERIES-2000 ALUM SINGLE HUNG WDW. (L.M.I.)
Sunshine Windows Manufacturing, Inc.
 1785 West 33rd Place
 Hialeah, FL 33012
 Tel. (305) 364-9952 Fax. (305) 828-5118

revisions:	no	date	by	description
date:	03-11-19			
scale:	1/2" = 1"			
dr. by:	TARIQ			
chk. by:				
drawing no.	19-24F			
sheet	6 of 7			

