



[DBPR HOME](#) | [ABOUT DBPR](#) | [DBPR DIVISIONS](#) | [CONTACT DBPR](#)

[BCIS Home](#) | [Log In](#) | [User Registration](#) | [Hot Topics](#) | [Submit Surcharge](#) | [Stats & Facts](#) | [Publications](#) | [Contact Us](#) | [BCIS Site Map](#) | [Links](#) | [Search](#)



Product Approval
USER: Public User

[Product Approval Menu](#) > [Product or Application Search](#) > [Application List](#) > **Application Detail**

OFFICE OF THE SECRETARY

FL #	FL31579-R3								
Application Type	Revision								
Code Version	2023								
Application Status	Approved								
Comments									
Archived	<input type="checkbox"/>								
Product Manufacturer	Sunshine Windows Manufacturing Inc.								
Address/Phone/Email	1745 West 33rd Place Hialeah, FL 33012 (305) 364-9952 Ext 109 noel_m_2001@yahoo.com								
Authorized Signature	Jalal Farooq veronica@afceng.com								
Technical Representative									
Address/Phone/Email									
Quality Assurance Representative									
Address/Phone/Email									
Category	Exterior Doors								
Subcategory	Swinging Exterior Door Assemblies								
Compliance Method	Evaluation Report from a Florida Registered Architect or a Licensed Florida Professional Engineer <input type="checkbox"/> Evaluation Report - Hardcopy Received								
Florida Engineer or Architect Name who developed the Evaluation Report	Jalal Farooq								
Florida License	PE-81223								
Quality Assurance Entity	Keystone Certifications, Inc.								
Quality Assurance Contract Expiration Date	02/28/2029								
Validated By	Abel Carrasco, PE <input checked="" type="checkbox"/> Validation Checklist - Hardcopy Received								
Certificate of Independence	FL31579 R3 COI SS - Certificate of Independence 2023.pdf								
Referenced Standard and Year (of Standard)	<table border="0"> <thead> <tr> <th>Standard</th> <th>Year</th> </tr> </thead> <tbody> <tr> <td>TAS 201</td> <td>1994</td> </tr> <tr> <td>TAS 202</td> <td>1994</td> </tr> <tr> <td>TAS 203</td> <td>1994</td> </tr> </tbody> </table>	Standard	Year	TAS 201	1994	TAS 202	1994	TAS 203	1994
Standard	Year								
TAS 201	1994								
TAS 202	1994								
TAS 203	1994								
Equivalence of Product Standards Certified By									
Sections from the Code									

Product Approval Method

Method 1 Option D

Date Submitted

07/27/2023

Date Validated

07/27/2023

Date Pending FBC Approval

07/28/2023

Date Approved

10/18/2023

Summary of Products

FL #	Model, Number or Name	Description
31579.1	Series 2011 Aluminum Outswing Entrance Door	Large missile impact resistant aluminum outswing entrance door.
Limits of Use Approved for use in HVHZ: Yes Approved for use outside HVHZ: Yes Impact Resistant: Yes Design Pressure: +110/-110 Other: See drawings 20-04F for span vs load combination and installation details		Installation Instructions FL31579_R3_II_SS-2011_OS_ED(LMI)-DWG 20-04F(2023).pdf Verified By: Jalal Farooq PE # 81223 Created by Independent Third Party: Yes Evaluation Reports FL31579_R3_AE_SS-2011_FD(LMI)-PAE 2023.pdf Created by Independent Third Party: Yes
31579.2	Series 2011 Aluminum Outswing Entrance Door	Non-impact resistant aluminum outswing entrance door.
Limits of Use Approved for use in HVHZ: Yes Approved for use outside HVHZ: Yes Impact Resistant: No Design Pressure: +100/-100 Other: See drawings 20-08F for span vs load combination and installation details.		Installation Instructions FL31579_R3_II_SS-2011_OS_ED(NI)-DWG 20-08F(2023).pdf Verified By: Jalal Farooq PE # 81223 Created by Independent Third Party: Yes Evaluation Reports FL31579_R3_AE_SS-2011_FD(NI)-PAE 2023.pdf Created by Independent Third Party: Yes

[Back](#)

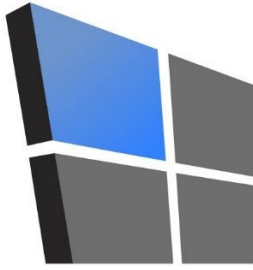
[Next](#)

Contact Us :: [2601 Blair Stone Road, Tallahassee FL 32399](#) Phone: 850-487-1824

The State of Florida is an AA/EEO employer. [Copyright 2007-2013 State of Florida.](#) :: [Privacy Statement](#) :: [Accessibility Statement](#) :: [Refund Statement](#)

Under Florida law, email addresses are public records. If you do not want your e-mail address released in response to a public-records request, do not send electronic mail to this entity. Instead, contact the office by phone or by traditional mail. If you have any questions, please contact 850.487.1395. *Pursuant to Section 455.275(1), Florida Statutes, effective October 1, 2012, licensees licensed under Chapter 455, F.S. must provide the Department with an email address if they have one. The emails provided may be used for official communication with the licensee. However email addresses are public record. If you do not wish to supply a personal address, please provide the Department with an email address which can be made available to the public. To determine if you are a licensee under Chapter 455, F.S., please click [here](#).





AL-FAROOQ CORPORATION

CONSULTING ENGINEERS & PRODUCT DEVELOPMENT

January 23, 2023

Product Approval Administrator
Building Codes & Standards Section
Department of Business & Professional Regulations
1940 North Monroe Street, Suite 90
Tallahassee, FL 32399-2100

To whom it may concern,

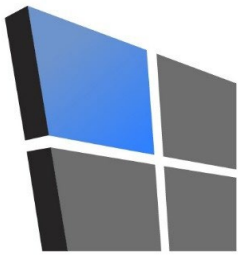
As the design engineer retained to prepare the product approval(s) associated with this letter as shown below on this same web page, I do hereby declare that I do not have and will not have any financial interest in any company manufacturing or distributing the referenced product(s), nor do I have or will have any financial interest with any other entity involved in the approval process of the referenced product(s).

Sincerely,



Jalal Farooq, P.E.
CFO

Sealed: 1/23/2023



AL-FAROOQ CORPORATION

CONSULTING ENGINEERS & PRODUCT DEVELOPMENT

PRODUCT APPROVAL EVALUATION RULE CHAPTER #61G20-3 • METHOD 1 OPTION D

FL 31579

Date: 07/25/2023

Detailed Product Description:

Manufacturer: SUNSHINE WINDOWS MANUFACTURING, INC.

Manufacturer Address: 1785 W 33 PLACE, HIALEAH, FL 33012

Model Name: SERIES 2011 ALUMINUM OUTSWING FRENCH DOOR

Maximum Load: +100 PSF, -100 PSF (Non-Impact)

Installation Drawings # 20-08F

This product complies with the High Velocity Hurricane Zone (HVHZ) testing requirements.


For maximum sizes, combination of span vs loads and anchor type refer to installation drawings.

Comparative analysis used X Yes No

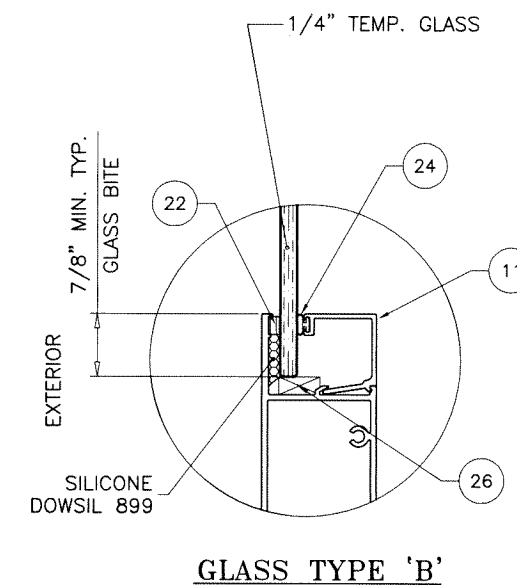
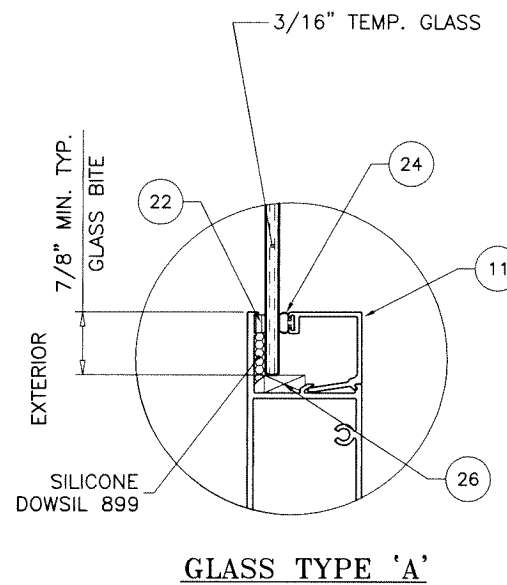
Mandatory Tests (Tested in accordance with AAMA 101/I.S.2/NAFS/TAS-202)

Test	Description	Test Location	Test Report Date	Test Report #	Test Sealed By
ASTM E283	Air Infiltration Leakage	Fenestration Testing Laboratory, Inc.	4/12/2018 7/22/2016	FTL-9456 FTL-8885	Idalmis Ortega, PE
ASTM E331 or ASTM 547 & TAS 202	Water Penetration	Fenestration Testing Laboratory, Inc.	4/12/2018 7/22/2016	FTL-9456 FTL-8885	Idalmis Ortega, PE
ASTM E330 & TAS 202	Uniform Static Air Pressure	Fenestration Testing Laboratory, Inc.	4/12/2018 7/22/2016	FTL-9456 FTL-8885	Idalmis Ortega, PE
AAMA 1304	Forced Entry	Fenestration Testing Laboratory, Inc.	4/12/2018	FTL-9456	Idalmis Ortega, PE

Under the limitations of the attached installation drawings, to the best of my knowledge and ability, the above product conforms to the requirements of the 2023 Florida Building Code.

<p>Evaluation Report Engineer:</p> <p>Jalal Farooq Al-Farooq Corporation</p> <p>PE # 81223 EB # 3538</p>	 <p>Sealed: 7/26/2023</p>
--	---

THESE DOORS ARE NOT RATED FOR IMPACT.
 INSTALLATION OF THIS PRODUCT IN THE HVHZ AREA REQUIRES THE USE OF APPROVED SHUTTERS OR EXTERNAL PROTECTION DEVICES COMPLYING WITH HVHZ REQUIREMENTS.
 INSTALLATION OF THIS SYSTEM OUTSIDE THE HVHZ AREA MUST MEET THE APPLICABLE REQUIREMENTS FOR WIND BORNE DEBRIS PROTECTION.



SERIES-2011
ALUMINUM OUTSWING ENTRANCE DOOR

APPROVAL APPLIES TO SINGLE (X) AND DOUBLE (XX) LEAF DOORS WITH OR WITHOUT SIDELITES.
 SIDE LITES CAN BE ON ONE OR BOTH SIDES OF DOOR.

DOORS WITH STD. THRESHOLD (#1202003) APPROVED FOR INSTALLATIONS WHERE WATER INFILTRATION RESISTANCE IS REQUIRED.
 DOORS WITH ADA THRESHOLD (#1202004) NOT APPROVED FOR WATER INFILTRATION RESISTANCE.
 SEE SHEETS 2 & 3 FOR LIMITATIONS AND SHEET 6 FOR DETAILS.

THIS PRODUCT HAS BEEN DESIGNED AND TESTED TO COMPLY WITH THE REQUIREMENTS OF THE 2020 (7TH EDITION)/2023 (8TH EDITION) FLORIDA BUILDING CODE INCLUDING HIGH VELOCITY HURRICANE ZONE (HVHZ).

1BY OR 2BY WOOD BUCKS & BUCK FASTENERS BY OTHERS, MUST BE DESIGNED AND INSTALLED ADEQUATELY TO TRANSFER APPLIED PRODUCT LOADS TO THE BUILDING STRUCTURE.

ANCHORS SHALL BE CORROSION RESISTANT, SPACED AS SHOWN ON DETAILS AND INSTALLED PER MANUF'S INSTRUCTIONS. SPECIFIED EMBEDMENT TO BASE MATERIAL SHALL BE BEYOND WALL DRESSING OR STUCCO.

A LOAD DURATION INCREASE IS USED IN DESIGN OF ANCHORS INTO WOOD ONLY.

ALL SHIMS TO BE HIGH IMPACT, NON-METALLIC AND NON-COMPRESSIBLE.

MATERIALS INCLUDING BUT NOT LIMITED TO STEEL/METAL SCREWS, THAT COME INTO CONTACT WITH OTHER DISSIMILAR MATERIALS SHALL MEET THE REQUIREMENTS OF THE 2020/2023 FLORIDA BLDG. CODE & ADOPTED STANDARDS.

THIS PRODUCT APPROVAL IS GENERIC AND DOES NOT PROVIDE INFORMATION FOR A SITE SPECIFIC PROJECT, i.e. LIFE SAFETY OF THIS PRODUCT, ADEQUACY OF STRUCTURE RECEIVING THIS PRODUCT AND SEALING AROUND OPENING FOR WATER INFILTRATION RESISTANCE ETC.
 CONDITIONS NOT SHOWN IN THIS DRAWING ARE TO BE ANALYZED SEPARATELY, AND TO BE REVIEWED BY BUILDING OFFICIAL.

DESIGN LOADS SHOWN ARE BASED ON 'ALLOWABLE STRESS DESIGN (ASD)'.

MANUFACTURER'S LABEL SHALL BE LOCATED ON A READILY VISIBLE LOCATION IN ACCORDANCE WITH SECTION 1709.9.3 OF FLORIDA BUILDING CODE. LABELING TO COMPLY WITH SECTION 1709.9.2.

INSTRUCTIONS:

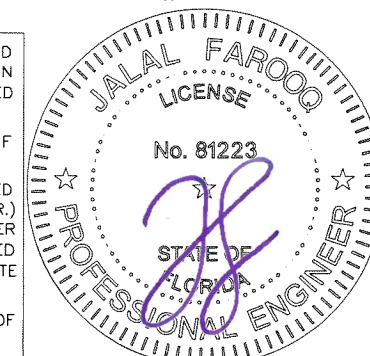
USE CHARTS AS FOLLOWS.

- STEP 1** DETERMINE DESIGN WIND LOAD REQUIREMENT BASED ON WIND VELOCITY, BLDG. HEIGHT, WIND ZONE USING APPLICABLE ASCE 7 STANDARD.
- STEP 2** FOR SINGLE (X) AND DOUBLE (XX) DOOR CAPACITIES SEE SHEET 2.
- STEP 3** FOR SIDELITE PANEL (O) CAPACITY SEE SHEET 3.
- STEP 4** FOR SIDELITE COMBINATION WITH DOOR SEE MULLION CAPACITY CHART ON SHEET 5.
- STEP 5** THE LOWEST VALUE RESULTING FROM STEPS 2, 3 AND 4 SHALL APPLY TO ENTIRE SYSTEM.

Sealed: 7/26/2023

FL #31579

A- CONTRACTOR TO BE RESPONSIBLE FOR THE SELECTION, PURCHASE AND INSTALLATION OF THIS PRODUCT BASED ON THIS PRODUCT EVALUATION PROVIDED HE/SHE DOES NOT DEVIATE FROM THE CONDITIONS DETAILED ON THIS DOCUMENT.
 B- THIS PRODUCT EVALUATION DOCUMENT WILL BE CONSIDERED INVALID IF ALTERED BY ANY MEANS.
 C- SITE SPECIFIC PROJECTS SHALL BE PREPARED BY A FLORIDA REGISTERED ENGINEER OR ARCHITECT WHICH WILL BECOME THE ENGINEER OF RECORD (E.O.R.) FOR THE PROJECT AND WHO WILL BE RESPONSIBLE FOR THE PROPER USE OF THE P.E.D. ENGINEER OF RECORD, ACTING AS A DELEGATED ENGINEER TO THE P.E.D. ENGINEER SHALL SUBMIT TO THIS LATTER THE SITE SPECIFIC DRAWINGS FOR REVIEW.
 D- THIS P.E.D. SHALL BEAR THE DATE AND ORIGINAL SEAL AND SIGNATURE OF THE PROFESSIONAL ENGINEER OF RECORD THAT PREPARED IT.



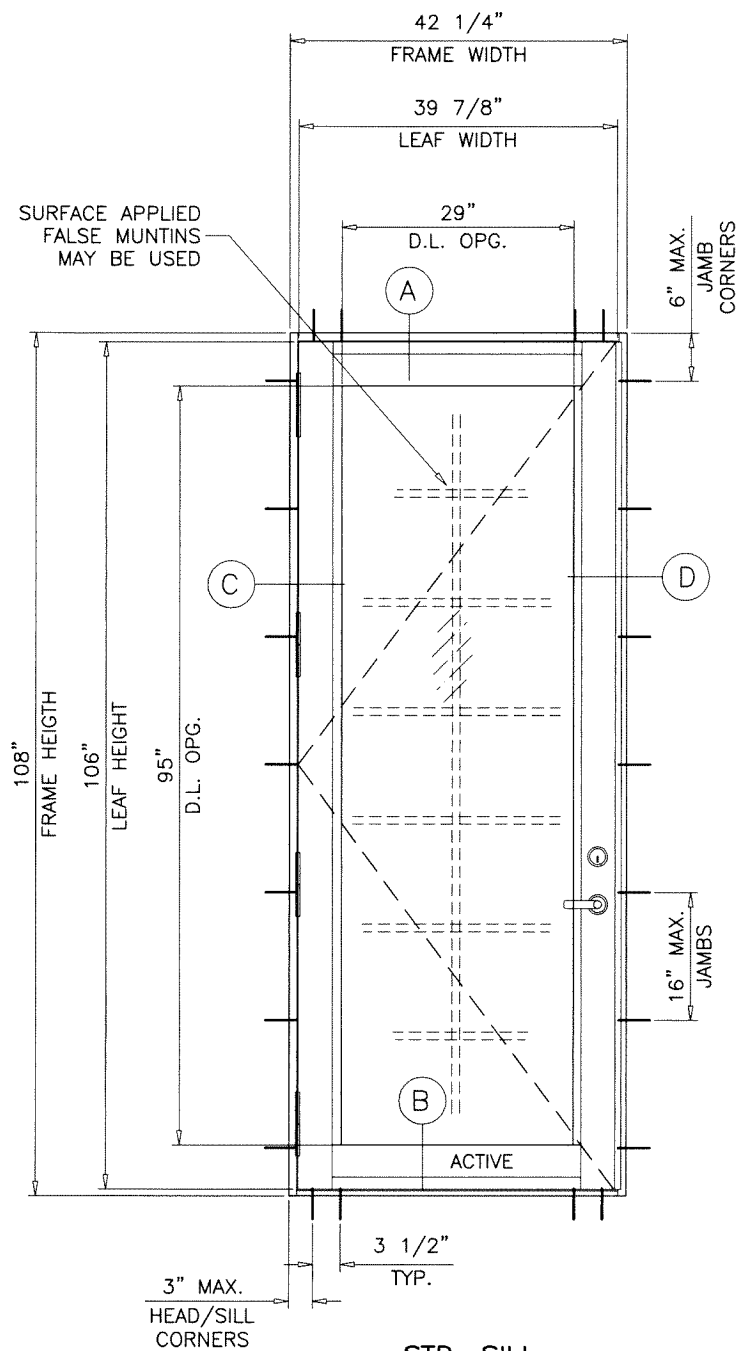
af c
AL-FAROOQ CORPORATION
 ENGINEERS & PRODUCT DEVELOPMENT
 9360 SUNSET DRIVE, SUITE 220
 MIAMI, FLORIDA 33173 (C.A.N. 3538)
 TEL. (305) 264-8100 FAX. (305) 262-6978
 COMP-ANL\20-08F-SWM

SERIES-2011 ALUMINUM OUTSWING DOOR (N.I.)
Sunshine Windows Manufacturing, Inc.
 1785 West 33rd Place
 Hialeah, FL. 33012
 Tel. (305) 364-9952 Fax. (305) 828-5118

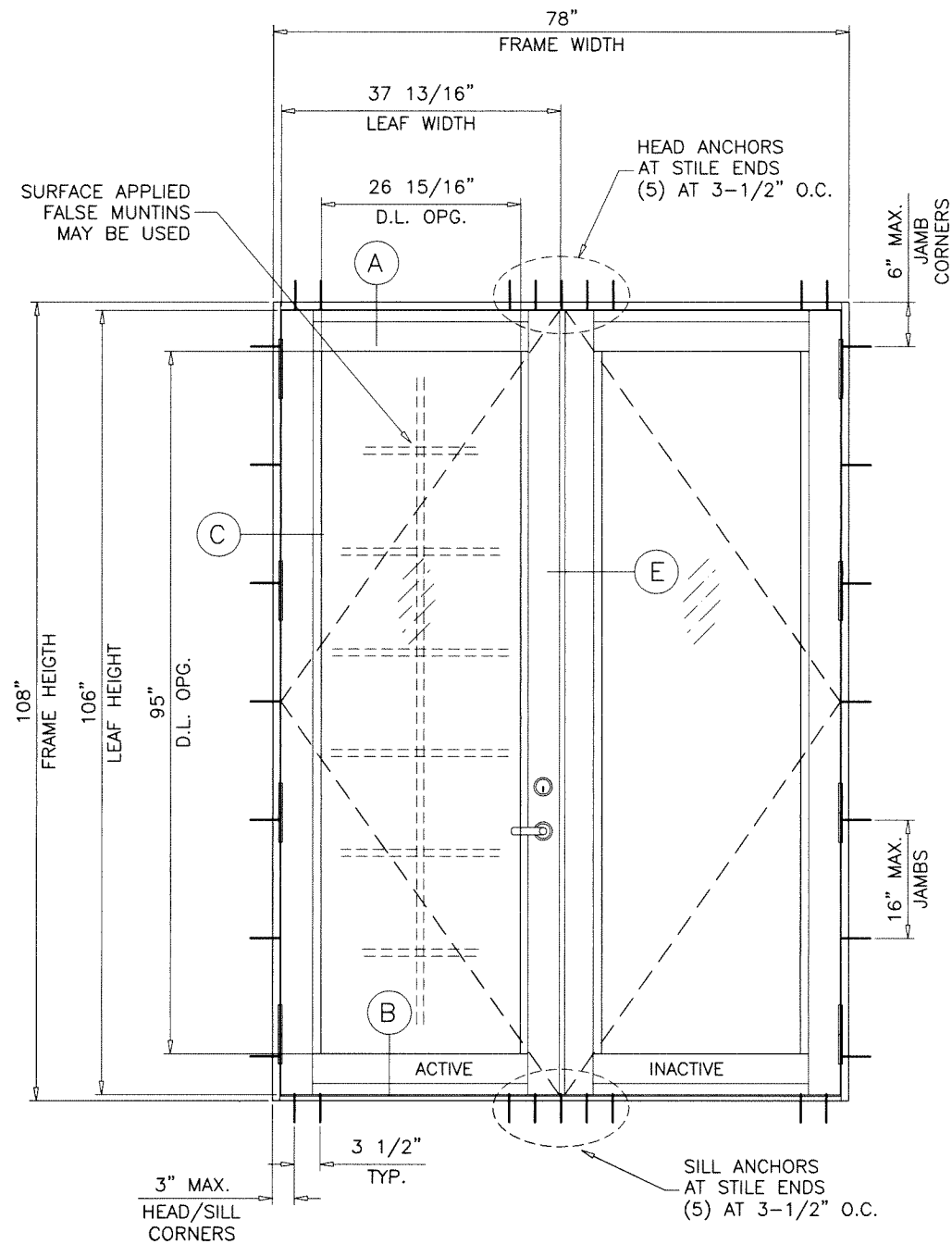
revisions:	no	date	by	description
	A	08.27.20		UPDATED TO 2020 FBC

date: 02-04-20
 scale: 3/8" = 1"
 dr. by: TARIO
 chk. by:

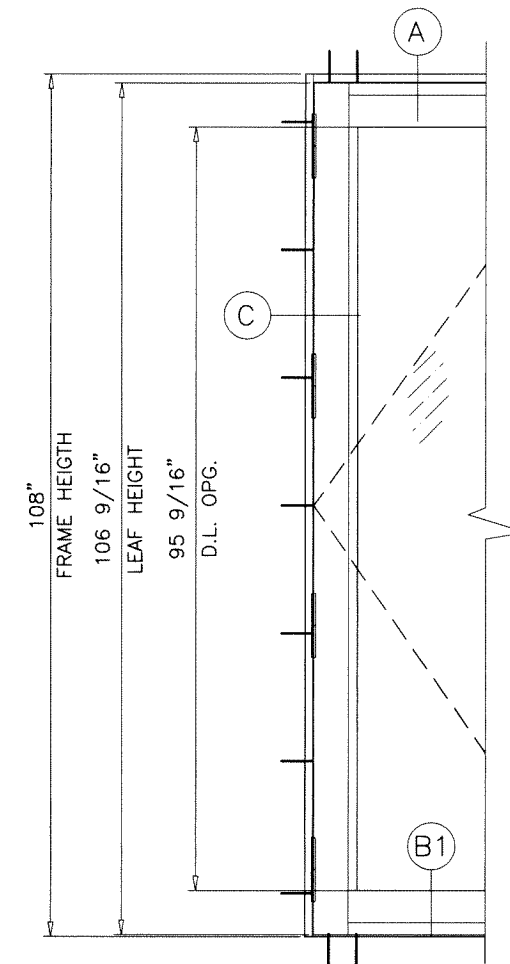
drawing no.
20-08F



STD. SILL
TYPICAL ELEVATION
(X)



STD. SILL
TYPICAL ELEVATION
(XX)



SINGLE OR DOUBLE DOORS
WITH ADA SILL

SINGLE DOORS LOAD CAPACITY - PSF GLASS TYPES 'A' & 'B'						
FRAME		LEAF		THRESHOLD TYPES	EXT.(+)	INT.(-)
WIDTH	HEIGHT	WIDTH	HEIGHT			
42-1/4"	84"	37-7/8"	82"	STD.	100.0	100.0
			82-9/16"	ADA		
	96"		94"	STD.	90.0	90.0
			94-9/16"	ADA		
	108"		106"	STD.	80.0	80.0
			106-9/16"	ADA		

DOUBLE DOORS LOAD CAPACITY - PSF GLASS TYPES 'A' & 'B'						
FRAME		LEAF		THRESHOLD TYPES	EXT.(+)	INT.(-)
WIDTH	HEIGHT	WIDTH	HEIGHT			
78"	84"	37-13/16"	82"	STD.	100.0	100.0
			82-9/16"	ADA		
	96"		94"	STD.	90.0	90.0
			94-9/16"	ADA		
	108"		106"	STD.	80.0	80.0
			106-9/16"	ADA		

GLASS D.L.O. FORMULAE:
 D.L.O. WIDTH = FRAME WIDTH - 13.25" (X DOORS)
 = (FRAME WIDTH - 24.125")/2 (XX DOORS)
 D.L.O. HEIGHT = FRAME HEIGHT - 13.0" (STD. SILL)
 = FRAME HEIGHT - 12.438 (ADA SILL)

NOTE:
 GLASS CAPACITIES ON THIS SHEET ARE
 BASED ON ASTM E1300-09 (3 SEC. GUSTS)
 AND FLORIDA BUILDING COMMISSION
 DECLARATORY STATEMENT DCA05-DEC-219

EXTERIOR(+) LOADS SHOWN IN CHARTS ABOVE ARE FOR INSTALLATIONS
 WHERE WATER INFILTRATION RESISTANCE IS NOT REQUIRED.
 FOR INSTALLATIONS WHERE WATER INFILTRATION RESISTANCE IS REQUIRED
 LIMIT MAX. EXTERIOR LOADS TO +75 PSF (WITH STD. THRESHOLD).
 ADA THRESHOLD NOT APPROVED FOR WATER INFILTRATION RESISTANCE.

Sealed: 7/26/2023



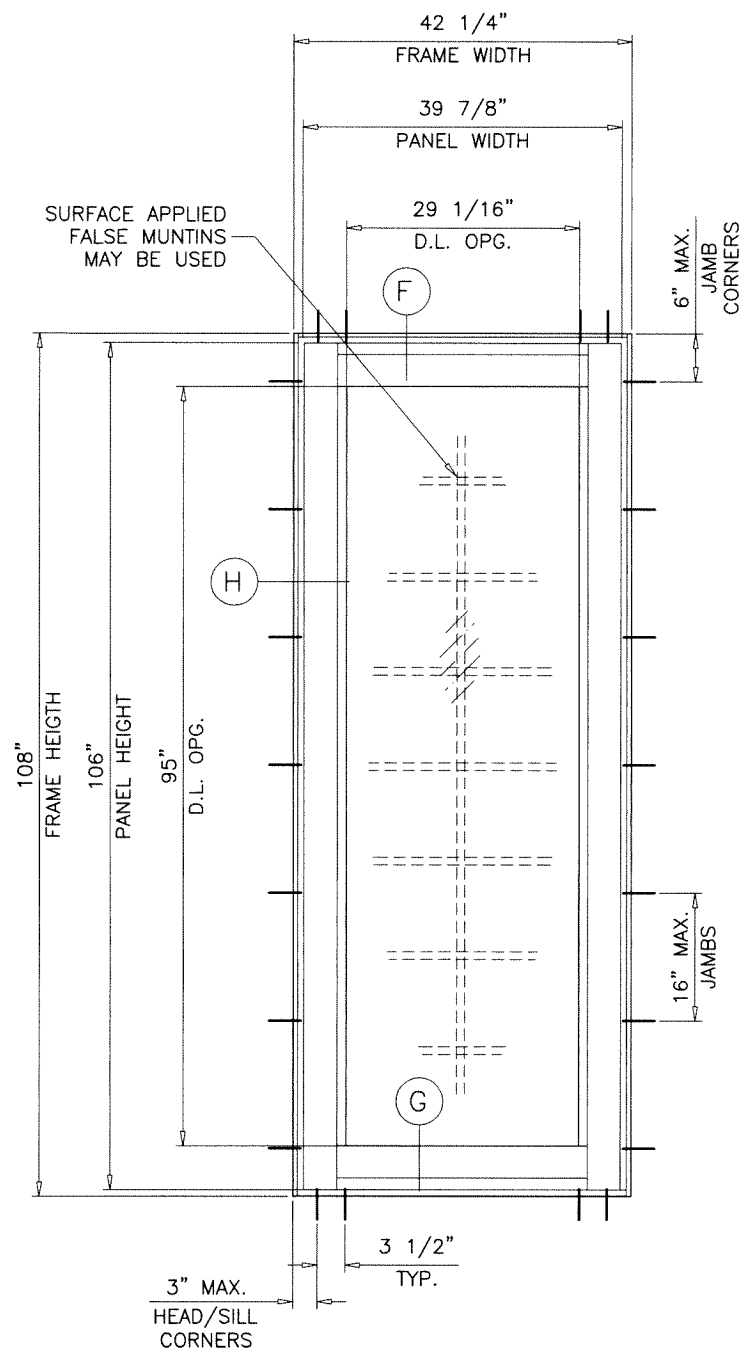
FL #31579

af c
AL-FAROOQ CORPORATION
 ENGINEERS & PRODUCT DEVELOPMENT
 9360 SUNSET DRIVE, SUITE 220 (C.A.N. 3538)
 MIAMI, FLORIDA 33173
 TEL. (305) 264-8100 FAX. (305) 262-6978
 COMP-ANL \ 20-08F-SWM

SERIES-2011 ALUMINUM OUTSWING DOOR (N.I.)
Sunshine Windows Manufacturing, Inc.
 1785 West 33rd Place
 Hialeah, FL. 33012
 Tel. (305) 364-9952 Fax. (305) 828-5118

no	date	by	description

date: 02-04-20
 scale: 1/2"=1'-0"
 dr. by: TARIQ
 chk. by:
 drawing no.
20-08F
 sheet 2 of 16



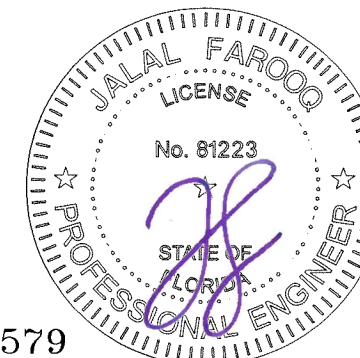
TYPICAL ELEVATION
(0)

SIDELITE LOAD CAPACITY - PSF OR STAND ALONE STATIONARY PANEL (0) GLASS TYPES 'A' & 'B'						
FRAME		PANEL		THRESHOLD TYPES	EXT.(+)	INT.(-)
WIDTH	HEIGHT	WIDTH	HEIGHT			
42-1/4"	84"	39-7/8"	82"	STD.	100.0	100.0
	96"		94"		90.0	90.0
	108"		106"		80.0	80.0

EXTERIOR(+) LOADS SHOWN IN CHARTS ABOVE ARE FOR INSTALLATIONS WHERE WATER INFILTRATION RESISTANCE IS NOT REQUIRED. FOR INSTALLATIONS WHERE WATER INFILTRATION RESISTANCE IS REQUIRED LIMIT MAX. EXTERIOR LOADS TO +75 PSF (WITH STD. THRESHOLD).

D.L.O. HEIGHT (SIDELITE) = FRAME HEIGHT - 13.0"
D.L.O. WIDTH (SIDE LITE) = FRAME WIDTH - 13.188"

Sealed: 7/26/2023



FL #31579

afc

AL-FAROOQ CORPORATION
ENGINEERS & PRODUCT DEVELOPMENT
9360 SUNSET DRIVE, SUITE 220
MIAMI, FLORIDA 33173 (C.A.N. 3538)
TEL. (305) 264-8100 FAX. (305) 262-6978

SERIES-2011 ALUMINUM OUTSWING DOOR (N.I.)

Sunshine Windows Manufacturing, Inc.

1785 West 33rd Place
Hialeah, FL. 33012

Tel. (305) 364-9952 Fax. (305) 828-5118

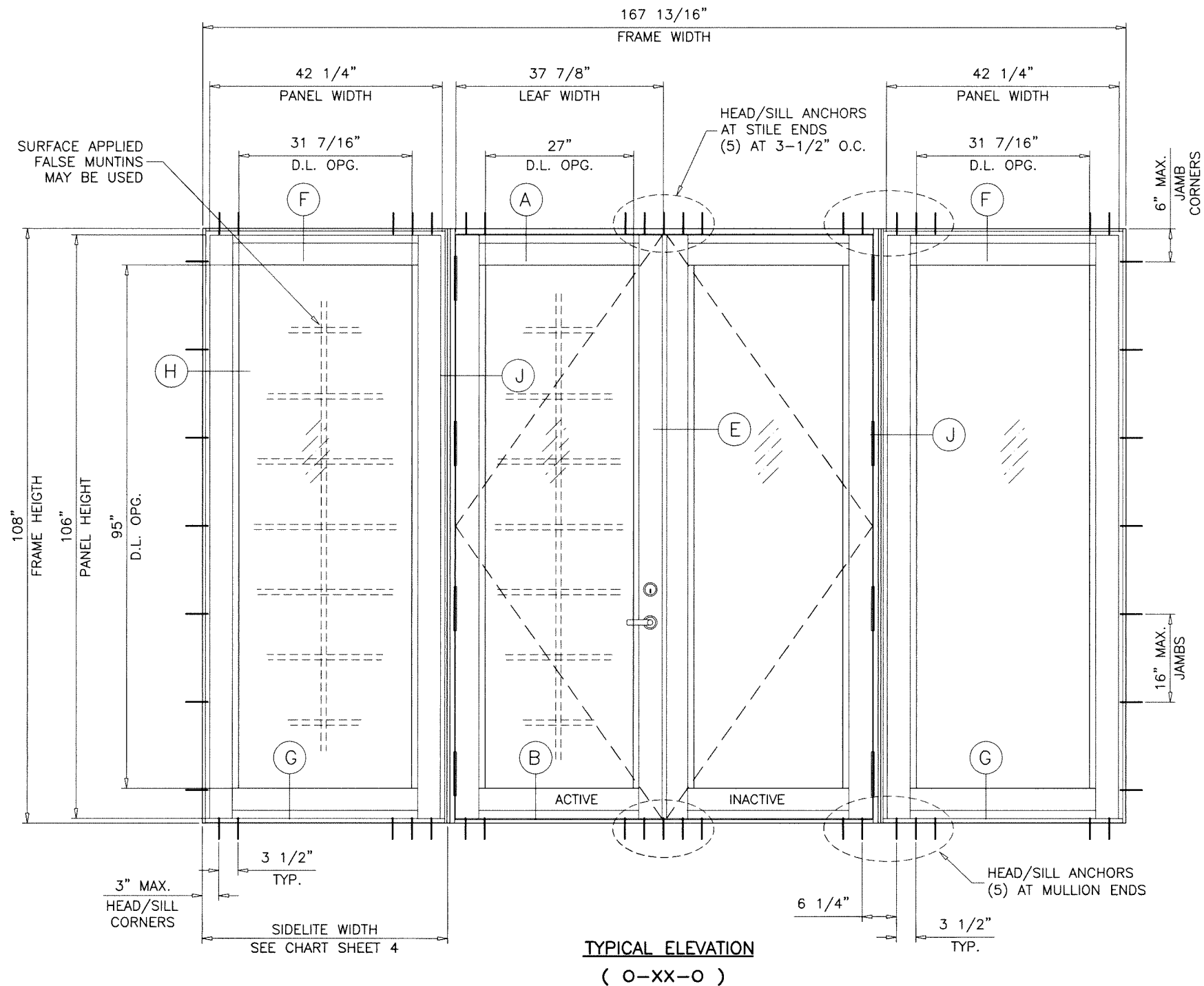
revisions:
no. date by description

date: 02-04-20
scale: 1/2" = 1'-0"
dr. by: TARIQ
chk. by:

drawing no.
20-08F

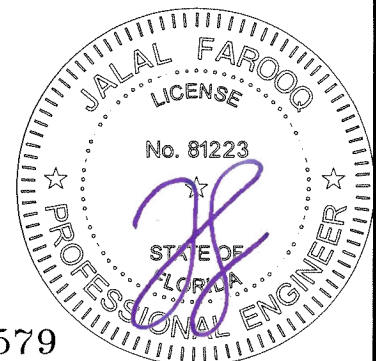
sheet 3 of 16

COMP-ANL\20-08F-SWM



TYPICAL ELEVATION
(O-XX-O)

Sealed: 7/26/2023



FL #31579

afc
AL-FAROOQ CORPORATION
 ENGINEERS & PRODUCT DEVELOPMENT
 9360 SUNSET DRIVE, SUITE 220
 MIAMI, FLORIDA 33173 (C.A.N. 3538)
 TEL. (305) 264-8100 FAX. (305) 262-6978
 COMP-ANL\20-08F-SWM

SERIES-2011 ALUMINUM OUTSWING DOOR (N.I.)
Sunshine Windows Manufacturing, Inc.
 1785 West 33rd Place
 Hialeah, FL 33012
 Tel. (305) 364-9952 Fax. (305) 828-5118

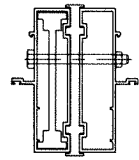
revisions:	no	date	by	description

date: 02-04-20
 scale: 1/2"=1'-0"
 dr. by: TARIQ
 chk. by:

drawing no.
20-08F

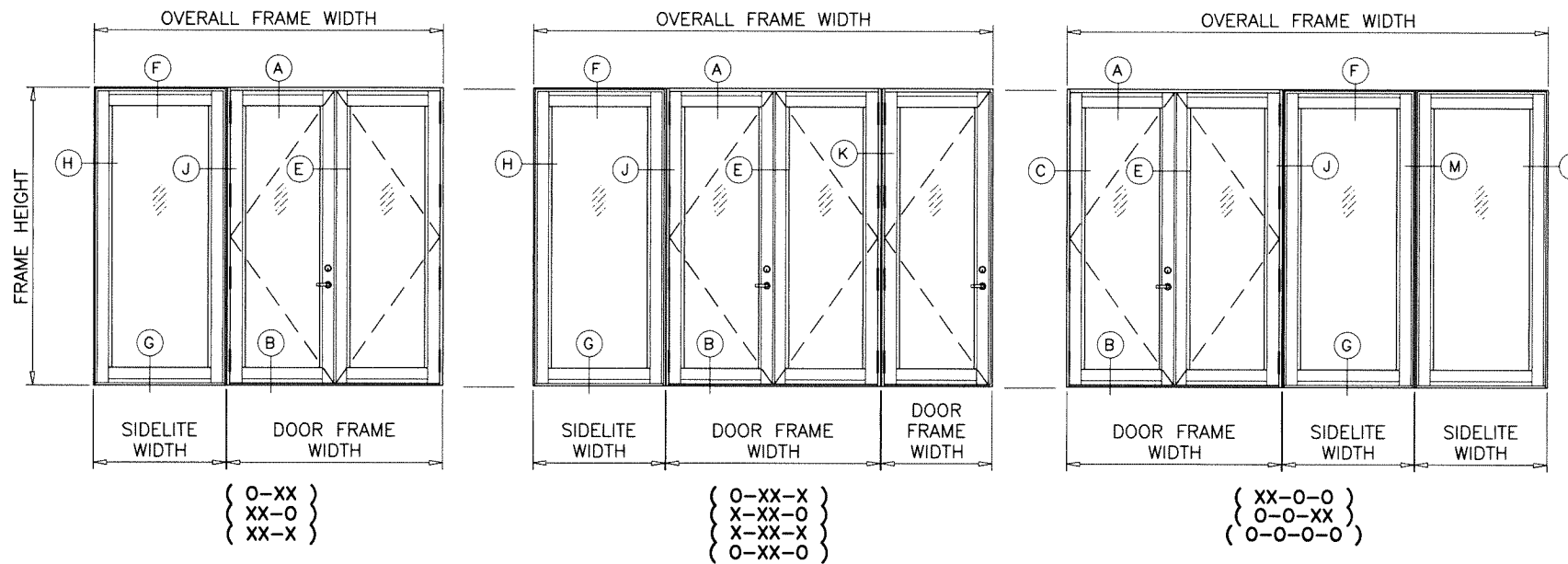
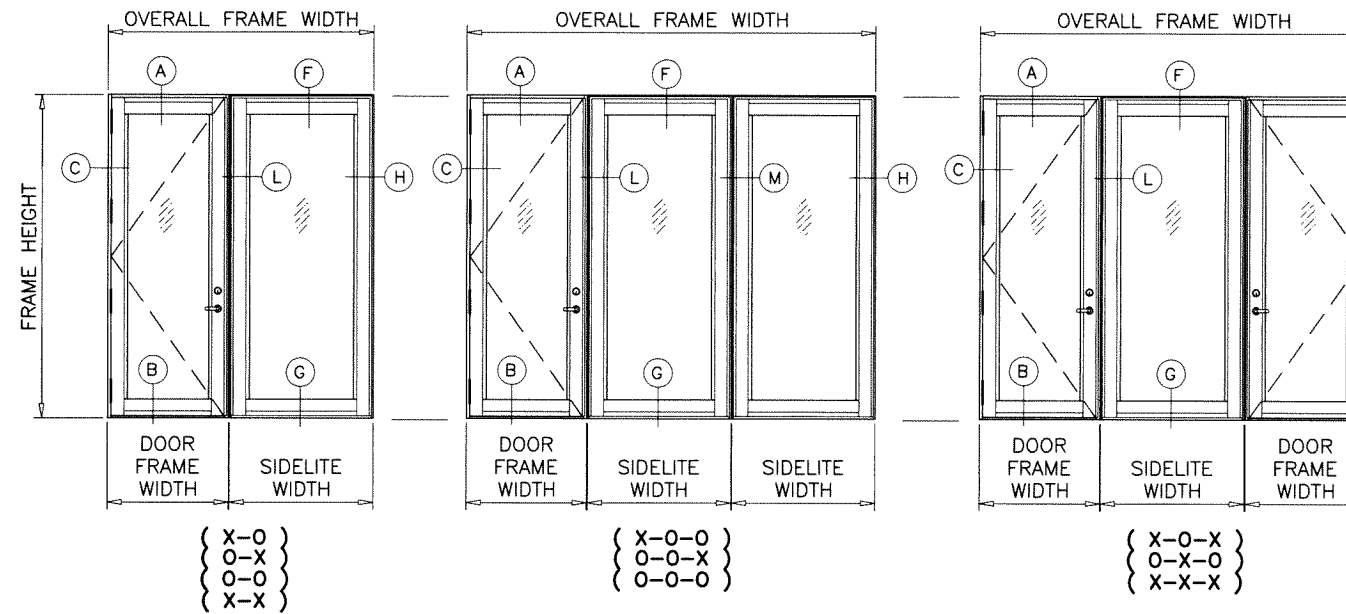
sheet 4 of 16

DESIGN LOAD CAPACITY - PSF DOOR TO SIDELITE OR DOOR TO DOOR MULLION		
SIDELITE WIDTH INCHES	FRAME HEIGHT INCHES	EXT. (+) INT. (-)
24	84	100.0
30		100.0
38		100.0
42-1/4		100.0
24	96	90.0
30		90.0
38		90.0
42-1/4		90.0
24	108	80.0
30		80.0
38		80.0
42-1/4		80.0



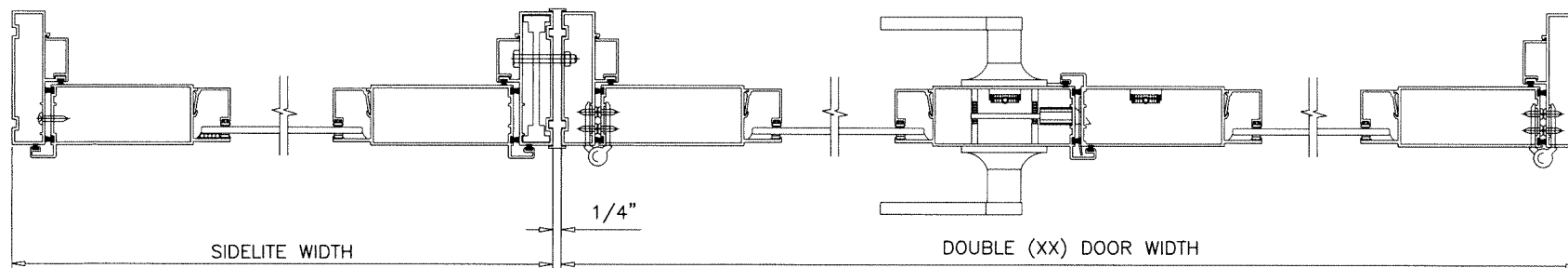
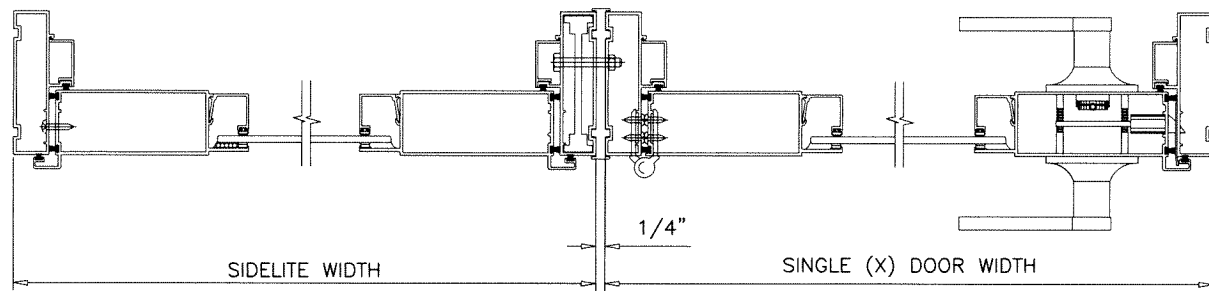
DOOR TO SIDELITE MULLION
DOOR TO DOOR MULLION

NOTE:
FOR DOORS CAPACITY SEE SHEET 2
FOR SIDELITE CAPACITIES SEE SHEET 3.
FOR SIDELITE MULLION CAPACITY SEE CHART ABOVE
LOWER VALUES FROM DOORS, SIDELITE, DOOR/SIDELITE
OR DOOR/DOOR MULLION CHART WILL APPLY TO ENTIRE SYSTEM.



APPROVED CONFIGURATIONS

NOTE:
THE FRAME AREA OF ALTERNATE SIZE MUST NOT EXCEED 125.9 SQ. FT.



Sealed: 7/26/2023

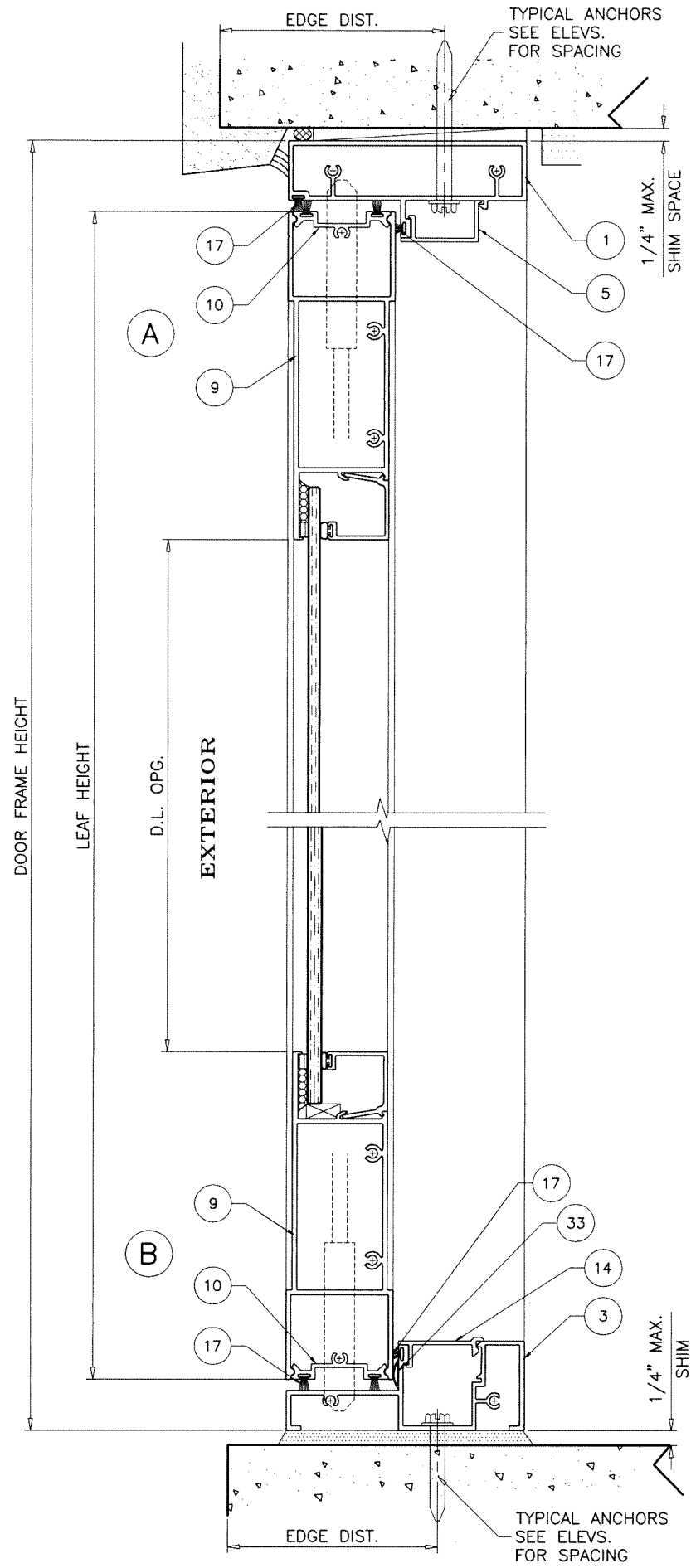


FL #31579

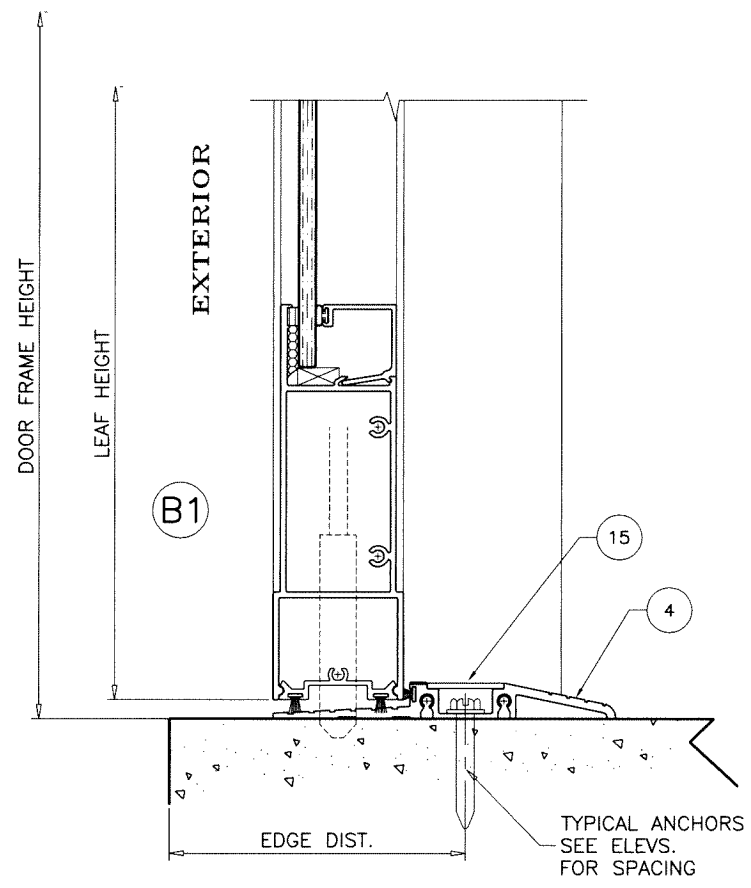
af c
AL-FAROOQ CORPORATION
ENGINEERS & PRODUCT DEVELOPMENT
9360 SUNSET DRIVE, SUITE 220
MIAMI, FLORIDA 33173 (C.A.N. 3538)
TEL. (305) 264-8100 FAX. (305) 262-6978
COMP-ANL\20-08F-SWM

SERIES-2011 ALUMINUM OUTSWING DOOR (N.I.)
Sunshine Windows Manufacturing, Inc.
1785 West 33rd Place
Hialeah, FL. 33012
Tel. (305) 364-9952 Fax. (305) 828-5118

revisions:	no	date	by	description
date:	02-04-20	scale:	-	dr. by: TARIQ
chk. by:				
drawing no.	20-08F			
sheet	5 of 16			

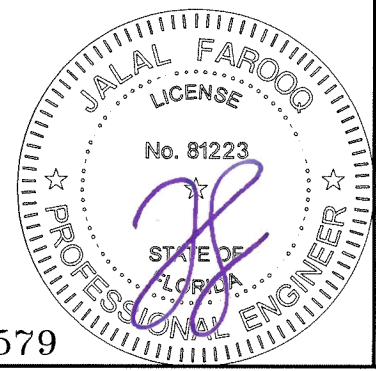


STD. THRESHOLD
APPROVED FOR WATER INFILTRATION RESISTANCE



ADA THRESHOLD
NOT APPROVED FOR WATER INFILTRATION RESISTANCE

DOOR DETAILS



Sealed: 7/26/2023

FL #31579

af c

AL-FAROOQ CORPORATION
ENGINEERS & PRODUCT DEVELOPMENT
9360 SUNSET DRIVE, SUITE 220
MIAMI, FLORIDA 33173 (C.A.N. 3538)
TEL. (305) 264-8100 FAX. (305) 262-6978
COMP-ANL\20-08F-SWM

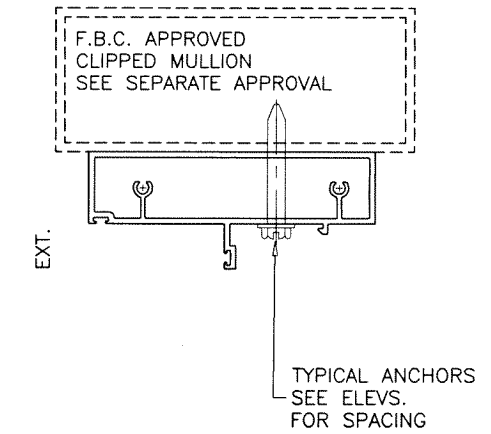
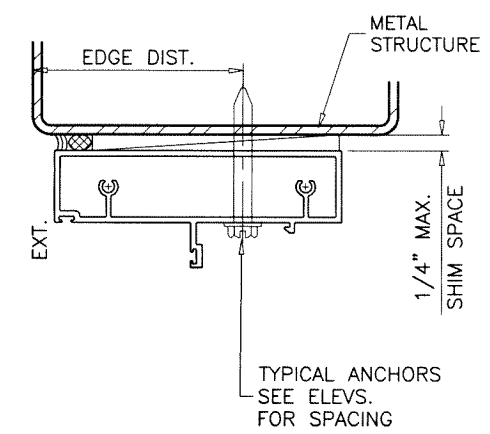
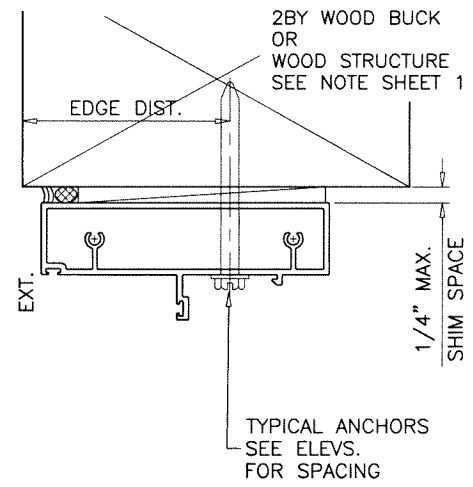
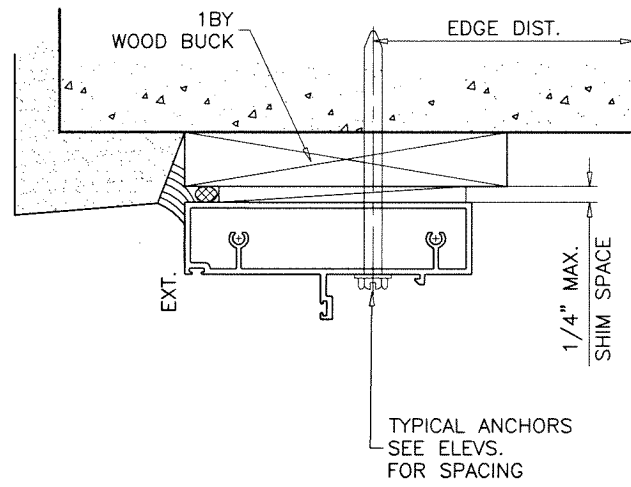
SERIES-2011 ALUMINUM OUTSWING DOOR (N.I.)
Sunshine Windows Manufacturing, Inc.
1785 West 33rd Place
Hialeah, FL. 33012
Tel. (305) 364-9952 Fax. (305) 828-5118

revisions:	no	date	by	description

date: 02-04-20
scale: 3/8" = 1"
dr. by: TARIO
chk. by:

drawing no.
20-08F

sheet 6 of 16

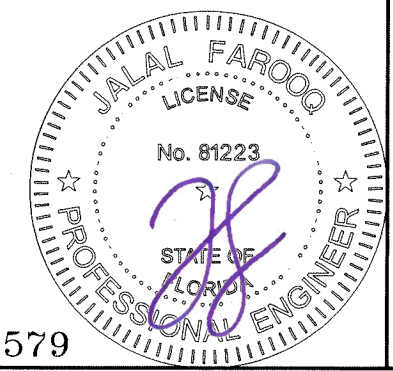


WOOD BUCKS AND METAL STRUCTURE NOT BY 'SUNSHINE WDW.' MUST SUSTAIN LOADS IMPOSED BY GLAZING SYSTEM AND TRANSFER THEM TO THE BUILDING STRUCTURE.

TYPICAL ANCHORS: SEE ELEV. FOR SPACING
1/4" DIA. ULTRACON+ BY 'DEWALT' (Fu=164 KSI, Fy=148 KSI)
 INTO 2BY WOOD BUCKS OR WOOD STRUCTURES
 1-1/2" MIN. PENETRATION INTO WOOD (HEAD/JAMBS)
 THRU 1BY BUCKS INTO CONC. OR BLOCKS
 1-1/4" MIN. EMBED INTO CONCRETE (HEAD/JAMBS)
 1-1/4" MIN. EMBED INTO BLOCKS (JAMBS)
 DIRECTLY INTO CONCRETE OR BLOCKS
 1-1/4" MIN. EMBED INTO CONCRETE (HEAD/SILL/JAMBS)
 1-1/4" MIN. EMBED INTO BLOCKS (JAMBS)
1/4" DIA. TEKS OR SELF-DRILLING SCREWS (GRADE 5 CRS)
 INTO F.B.C. APPROVED MULLIONS
 AND
 INTO METAL STRUCTURES (HEAD/JAMBS)
 (3) THREADS MIN. TO EXTEND BEYOND METAL THICKNESS
 ALUMINUM: 1/8" THK. MIN. (6063-T5 MIN.)
 STEEL: 1/8" THK. MIN. (Fy = 36 KSI MIN.)
 (STEEL IN CONTACT WITH ALUMINUM TO BE PLATED OR PAINTED)
CRITICAL EDGE DISTANCE
 INTO CONCRETE AND BLOCKS = 2-1/2" MIN.
 INTO WOOD STRUCTURE = 1" MIN.
 INTO METAL STRUCTURE = 3/4" MIN.
 WOOD AT HEAD, SILL OR JAMBS SG = 0.55 MIN.
 CONCRETE AT HEAD, SILL OR JAMBS f'c = 3000 PSI MIN.
 C-90 HOLLOW/FILLED BLOCK AT JAMBS f'm = 2000 PSI MIN.

DOOR DETAILS

Sealed: 7/26/2023



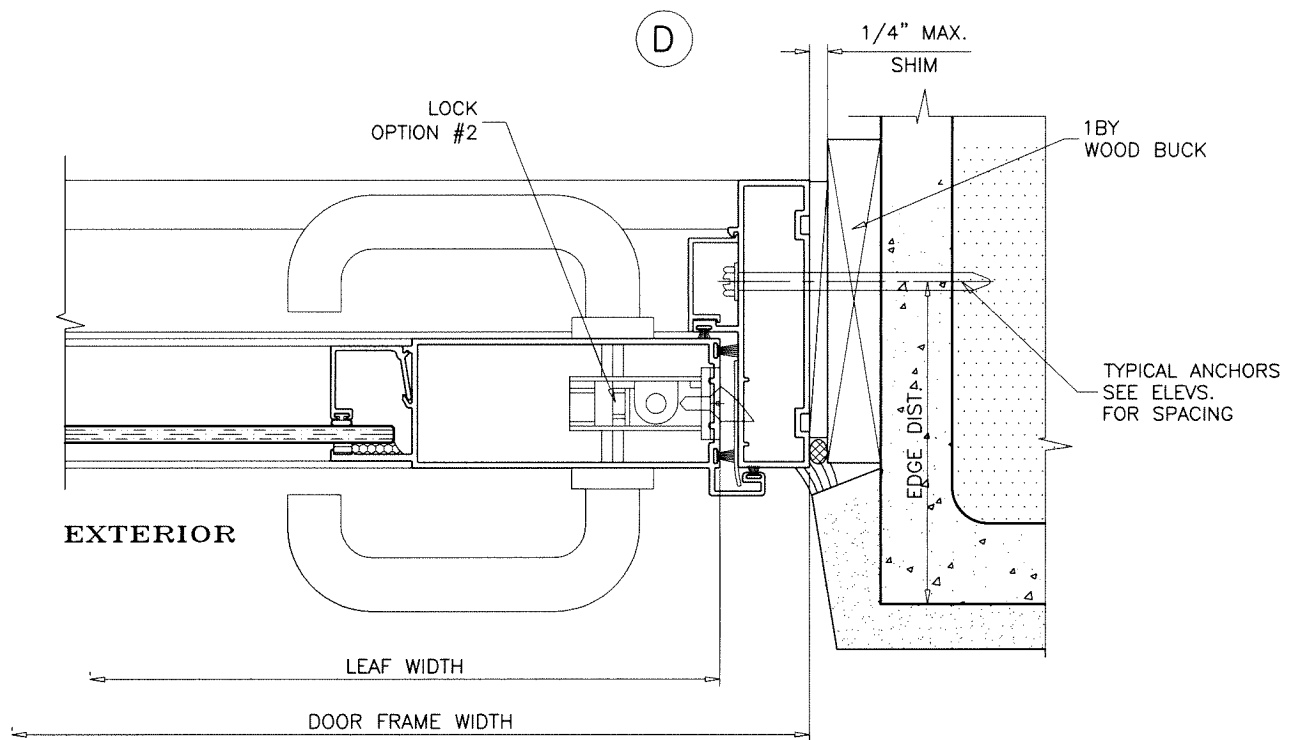
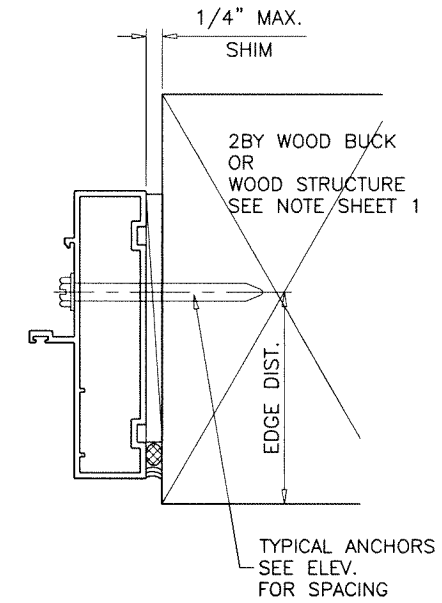
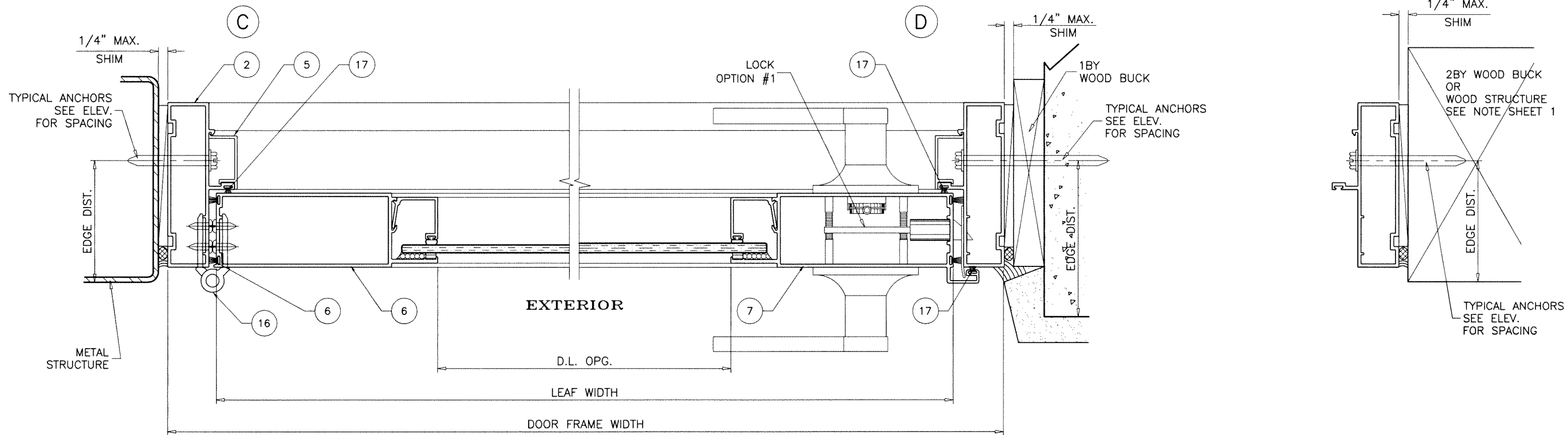
FL #31579

af c
AL-FAROOQ CORPORATION
 ENGINEERS & PRODUCT DEVELOPMENT
 9360 SUNSET DRIVE, SUITE 220
 MIAMI, FLORIDA 33173 (C.A.N. 3538)
 TEL. (305) 264-8100 FAX. (305) 262-6978
 COMP-ANL\20-08F-SWM

SERIES-2011 ALUMINUM OUTSWING DOOR (N.I.)
Sunshine Windows Manufacturing, Inc.
 1785 West 33rd Place
 Hialeah, FL. 33012
 Tel. (305) 364-9952 Fax. (305) 828-5118

no.	date	by	description

date: 02-04-20
 scale: 3/8" = 1"
 dr. by: TARIQ
 chk. by:
 drawing no.
20-08F
 sheet 7 of 16



DOOR DETAILS

Sealed: 7/26/2023



FL #31579

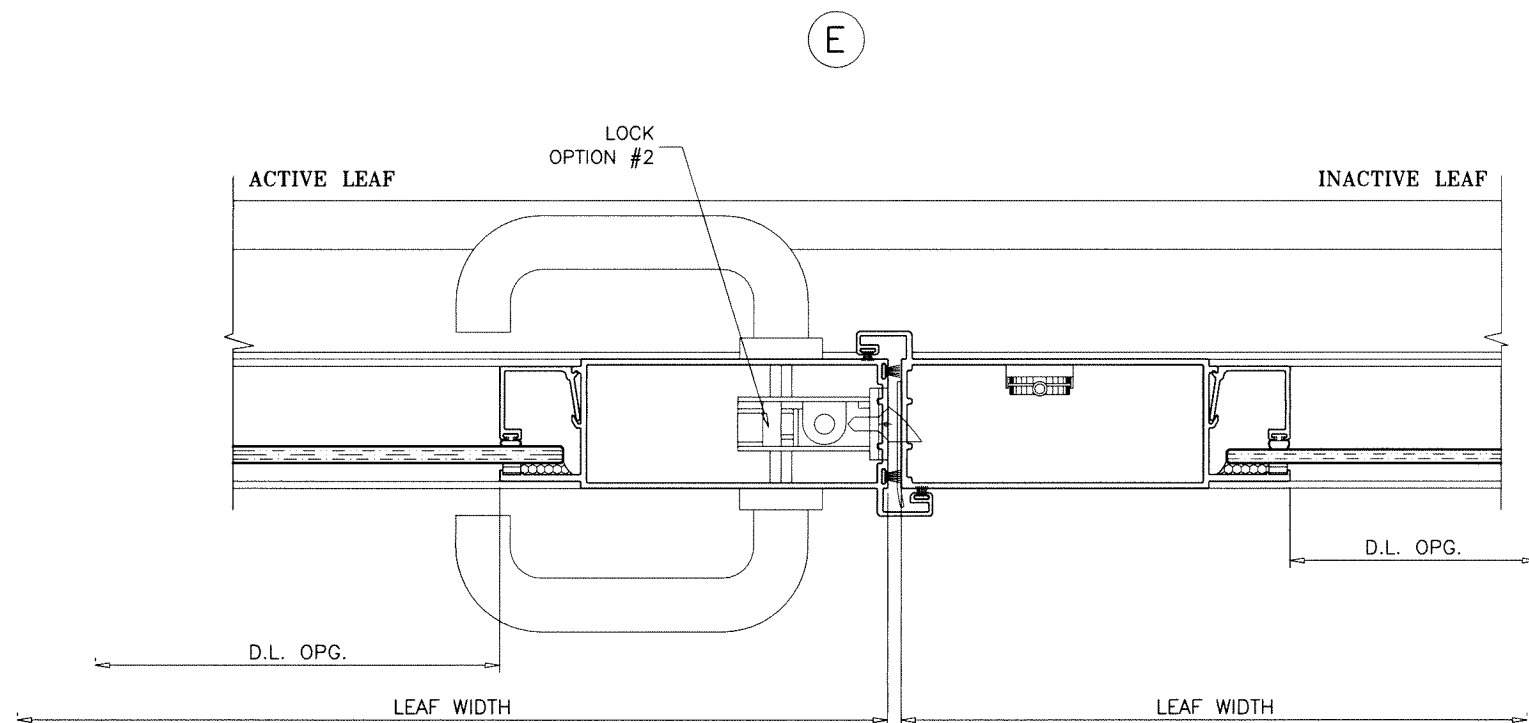
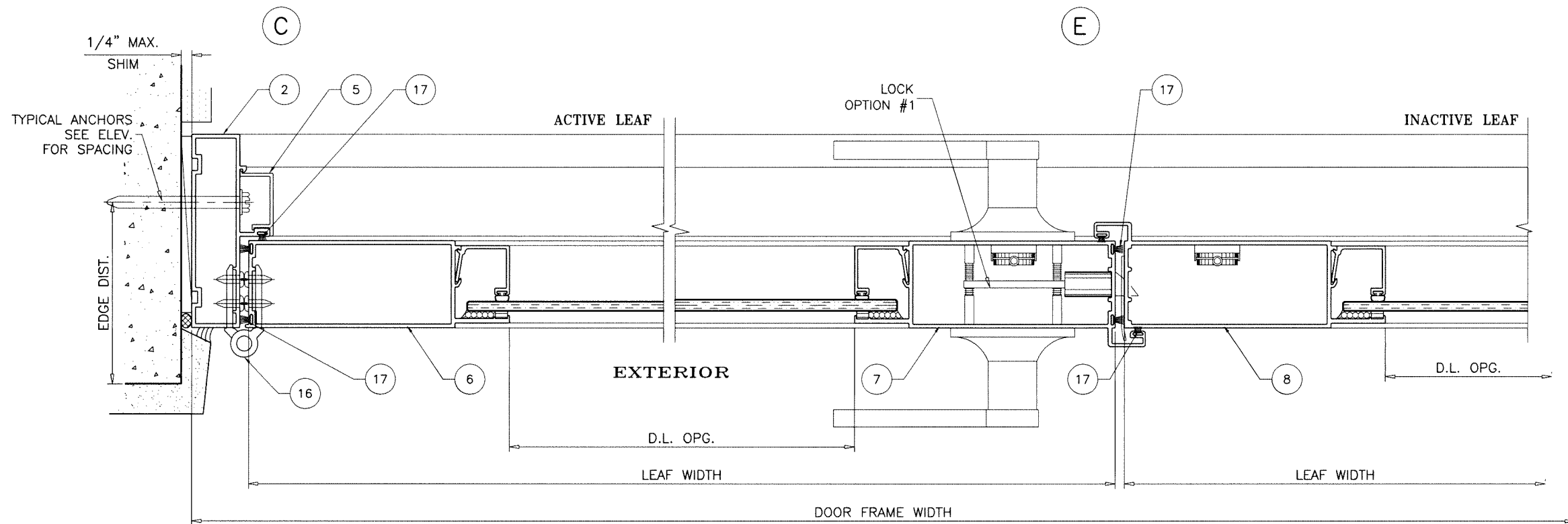
afc
AL-FAROOQ CORPORATION
 ENGINEERS & PRODUCT DEVELOPMENT
 9360 SUNSET DRIVE, SUITE 220
 MIAMI, FLORIDA 33173 (C.A.N. 3538)
 TEL. (305) 264-8100 FAX. (305) 262-6978
 COMP-ANL\20-08F-SWM

SERIES-2011 ALUMINUM OUTSWING DOOR (N.I.)
Sunshine Windows Manufacturing, Inc.
 1785 West 33rd Place
 Hialeah, FL. 33012
 Tel. (305) 364-9952 Fax. (305) 828-5118

revisions:	no	date	by	description

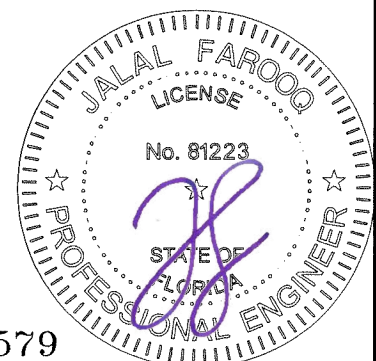
date: 02-04-20	scale: 3/8" = 1"	dr. by: TARIQ	chk. by:
----------------	------------------	---------------	----------

drawing no.
20-08F
 sheet 8 of 16



DOOR DETAILS

Sealed: 7/26/2023



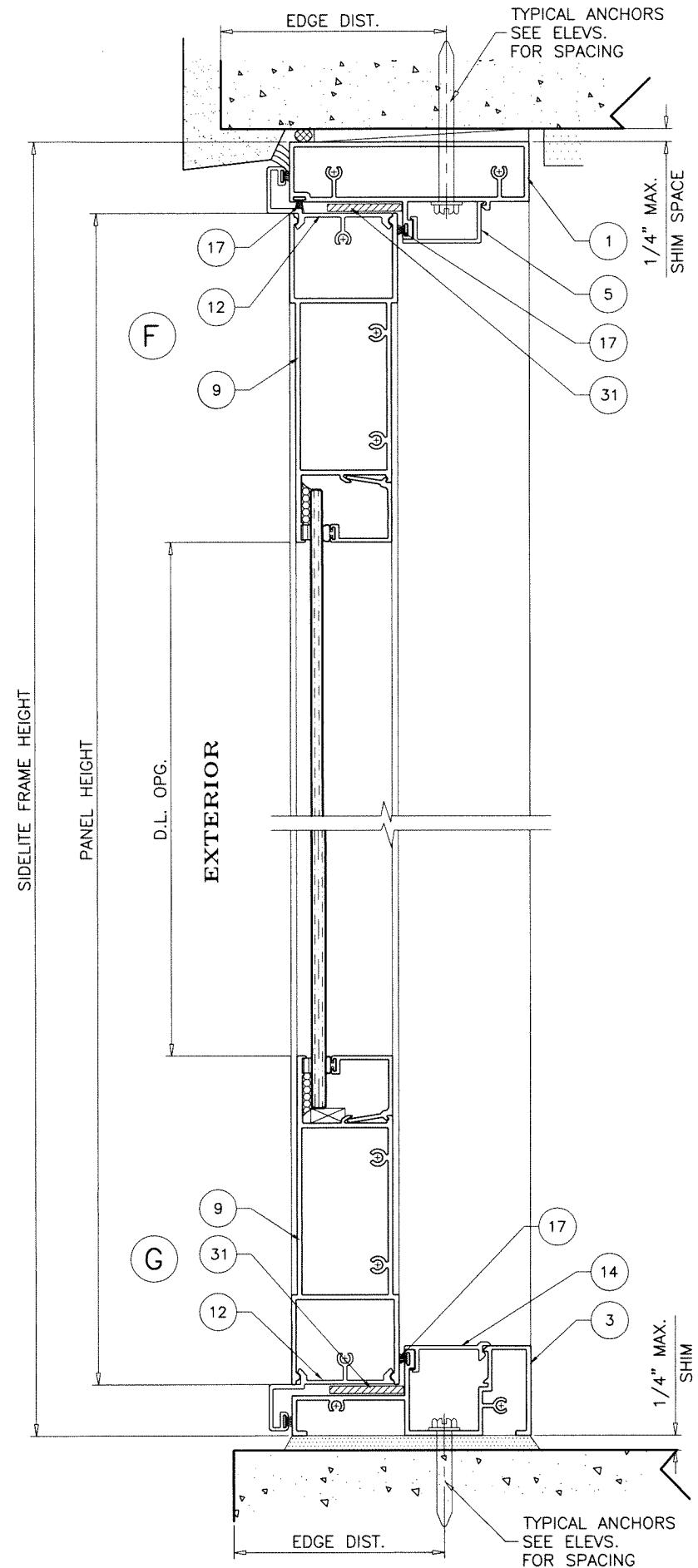
FL #31579

af c
AL-FAROOQ CORPORATION
 ENGINEERS & PRODUCT DEVELOPMENT
 9360 SUNSET DRIVE, SUITE 220
 MIAMI, FLORIDA 33173 (C.A.N. 3538)
 TEL. (305) 264-8100 FAX. (305) 262-6978
 COMP-ANL\20-08F-SWM

SERIES-2011 ALUMINUM OUTSWING DOOR (N.I.)
Sunshine Windows Manufacturing, Inc.
 1785 West 33rd Place
 Hialeah, FL. 33012
 Tel. (305) 364-9952 Fax. (305) 828-5118

revisions:	no	date	by	description

date: 02-04-20	scale: 3/8" = 1"	dr. by: TARIQ	chk. by:
drawing no. 20-08F			
sheet 9 of 16			



SIDELITE DETAILS



Sealed: 7/26/2023

FL #31579

afc

AL-FAROOQ CORPORATION
 ENGINEERS & PRODUCT DEVELOPMENT
 9360 SUNSET DRIVE, SUITE 220
 MIAMI, FLORIDA 33173 (C.A.N. 3538)
 TEL. (305) 264-8100 FAX. (305) 262-6978
 COMP-ANL\20-08F-SWM

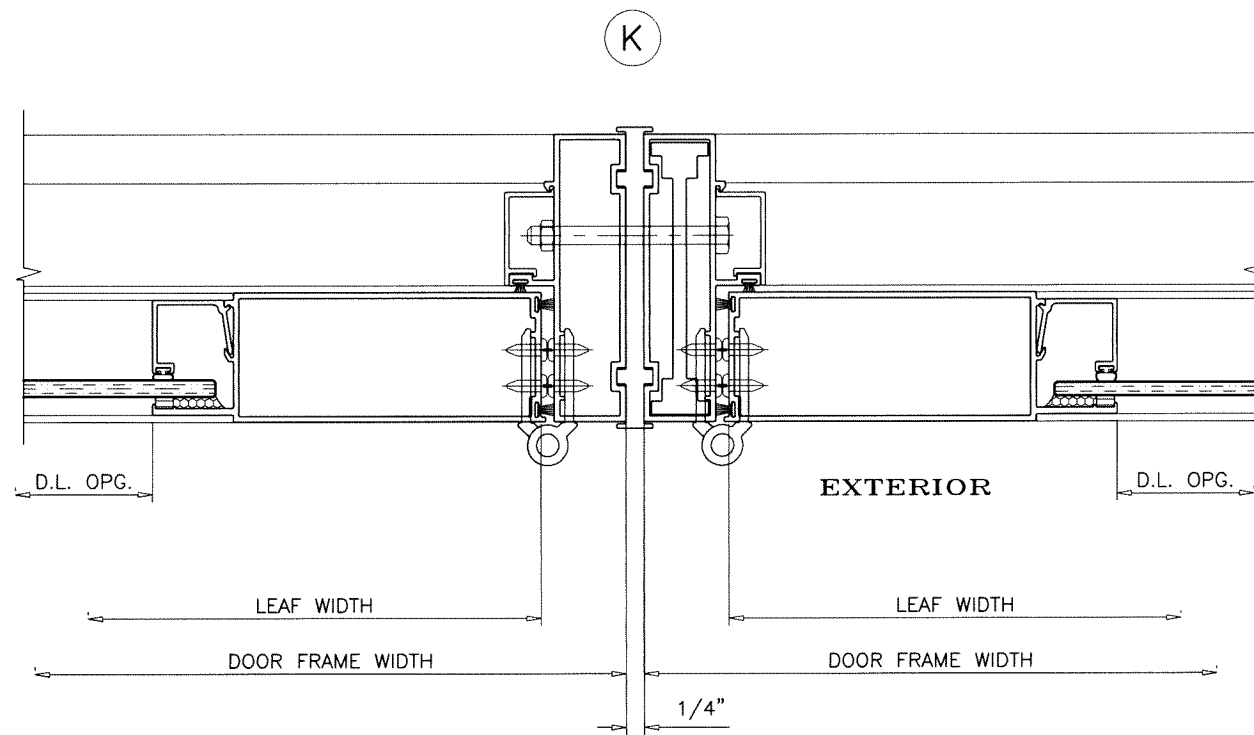
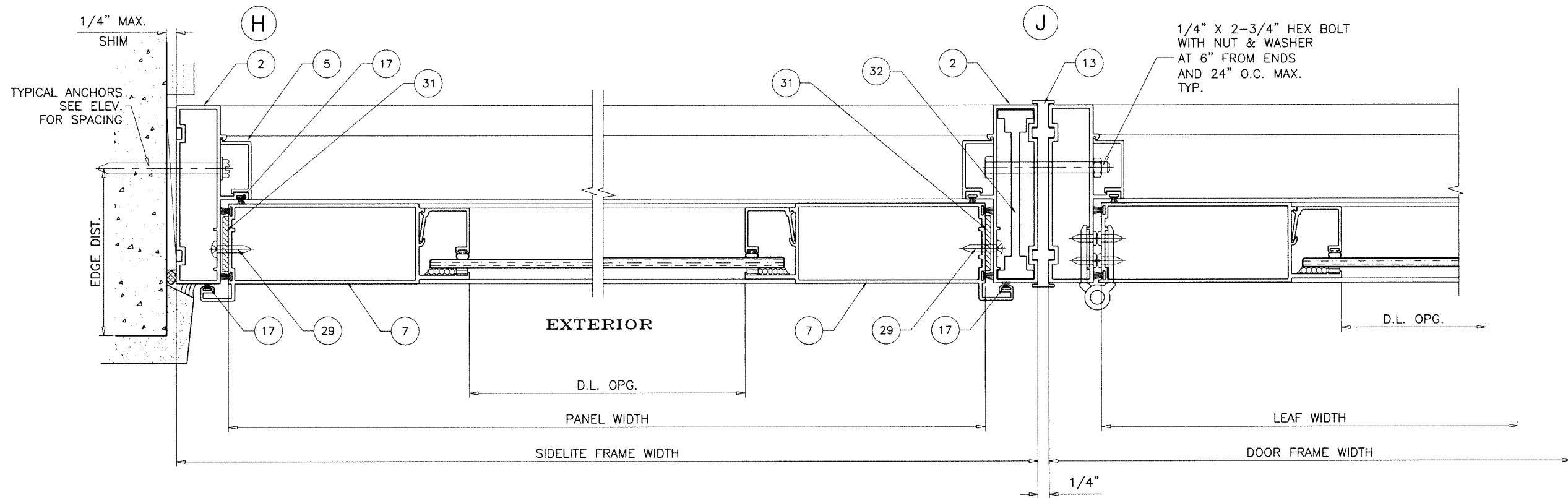
SERIES-2011 ALUMINUM OUTSWING DOOR (N.I.)
Sunshine Windows Manufacturing, Inc.
 1785 West 33rd Place
 Hialeah, FL. 33012
 Tel. (305) 364-9952 Fax. (305) 828-5118

revisions:	no	date	description

date: 02-04-20	scale: 3/8" = 1"	dr. by: TARIQ	chk. by:
----------------	------------------	---------------	----------

drawing no.
20-08F

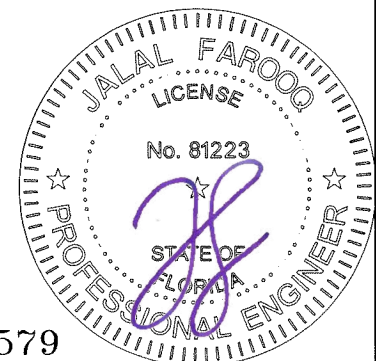
sheet 10 of 16



1/4" X 2-3/4" HEX BOLT
WITH NUT & WASHER
AT 6" FROM ENDS
AND 24" O.C. MAX.
TYP.

SIDELITE DETAILS

Sealed: 7/26/2023



FL #31579

af c
AL-FAROOQ CORPORATION
ENGINEERS & PRODUCT DEVELOPMENT
9360 SUNSET DRIVE, SUITE 220
MIAMI, FLORIDA 33173 (C.A.N. 3538)
TEL: (305) 264-8100 FAX: (305) 262-6978
COMP-ANL\20-08F-SWM

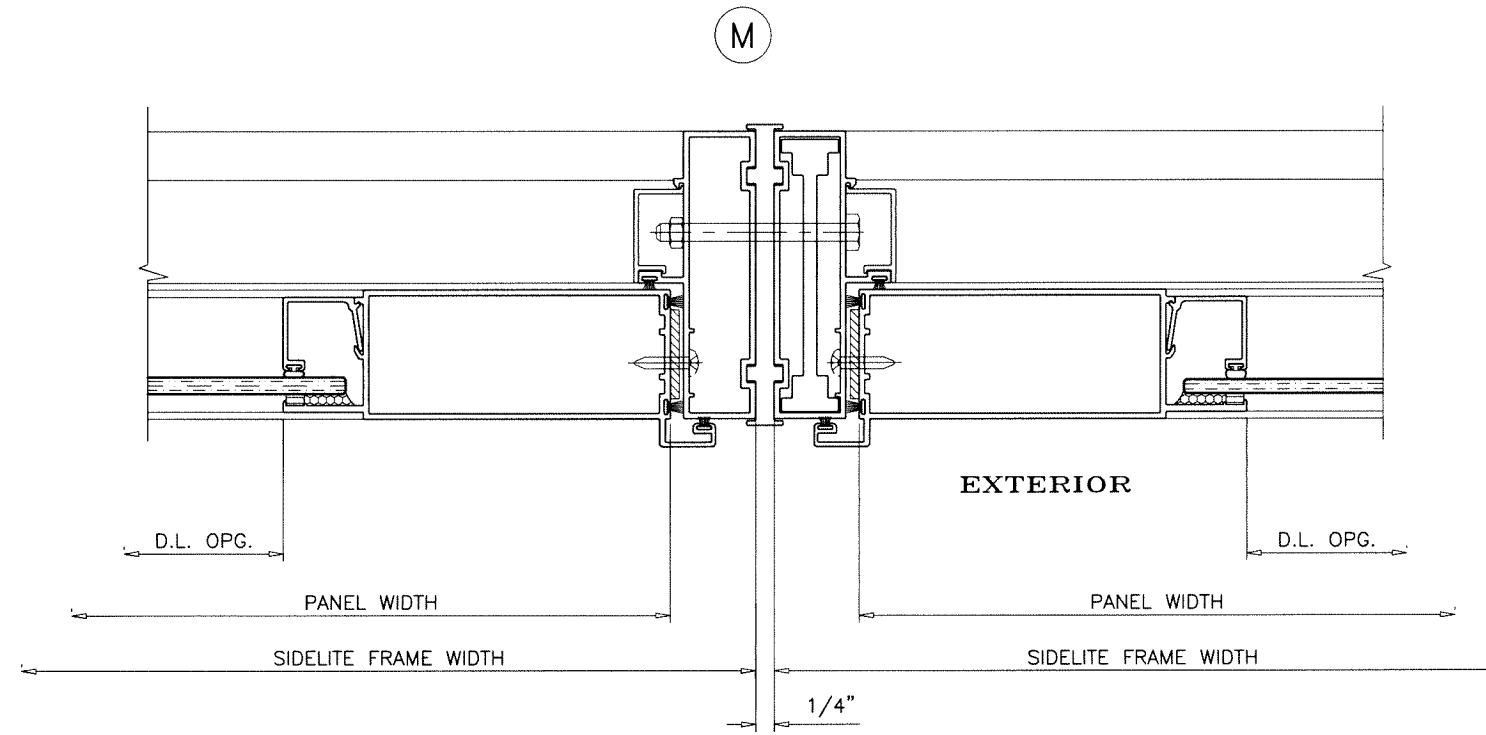
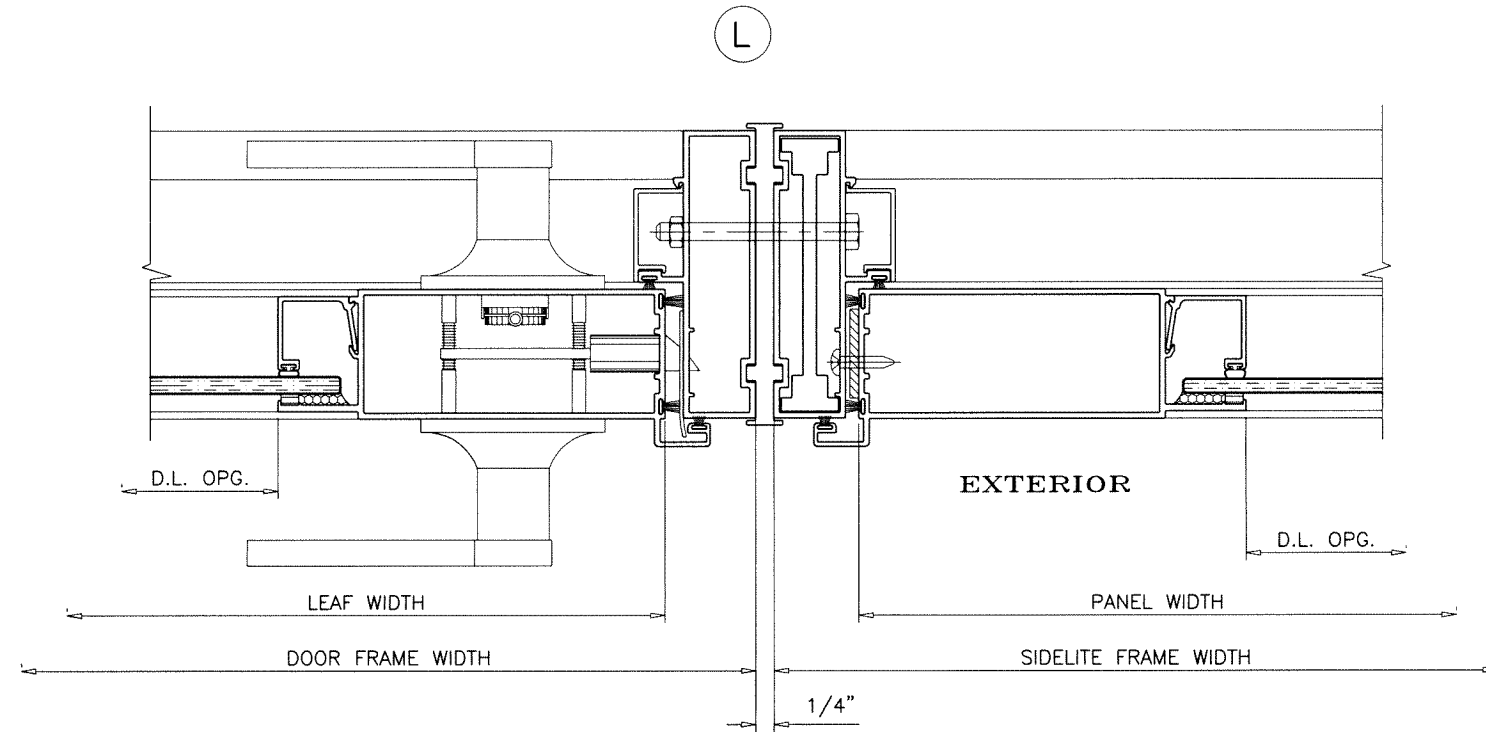
SERIES-2011 ALUMINUM OUTSWING DOOR (N.I.)
Sunshine Windows Manufacturing, Inc.
1785 West 33rd Place
Hialeah, FL 33012
Tel. (305) 364-9952 Fax. (305) 828-5118

revisions:	no	date	by	description

date: 02-04-20
scale: 3/8" = 1"
dr. by: TARIQ
chk. by:

drawing no.
20-08F

sheet 11 of 16



SIDELITE DETAILS

Sealed: 7/26/2023



FL #31579

afc
AL-FAROOQ CORPORATION
 ENGINEERS & PRODUCT DEVELOPMENT
 9360 SUNSET DRIVE, SUITE 220
 MIAMI, FLORIDA 33173 (C.A.N. 3538)
 TEL. (305) 264-8100 FAX. (305) 262-6978
 COMP-ANL\20-08F-SWM

SERIES-2011 ALUMINUM OUTSWING DOOR (N.I.)
Sunshine Windows Manufacturing, Inc.
 1785 West 33rd Place
 Hialeah, FL. 33012
 Tel. (305) 364-9952 Fax. (305) 828-5118

revisions:	no	date	by	description

date: 02-04-20
 scale: 3/8" = 1"
 dr. by: TARIQ
 chk. by:

drawing no.
20-08F

sheet 12 of 16

LOCK OPTIONS:

ACTIVE LEAF:

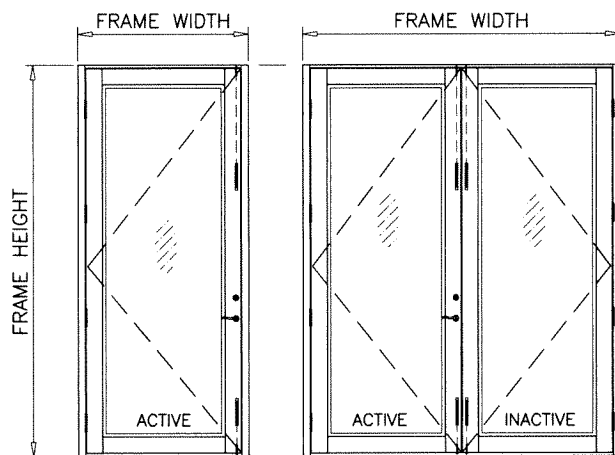
SURFACE MOUNT DEAD BOLT LOCK BY 'REGENT' AT 42-1/2" FROM BOTTOM, KEY OPERATED ON EXTERIOR AND THUMB TURN ON INTERIOR FASTENED TO ACTIVE LEAF LOCK STILE WITH (2) #10-32-28 X 2-3/8" OH MS LEVER TYPE METALLIC HANDLE AT 36-1/4" FROM BOTTOM, FASTENED TO ACTIVE LEAF LOCK STILE WITH (2) #8-32 X 1" PH MS.

SERIES 2508 FLUSH BOLTS BY 'REGENT' MANUALLY OPERATED LEVERS MOUNTED ON INSIDE FACE OF LEAF STILE LOCATED AT 56" FROM TOP AND 12" FROM BOTTOM FASTENED TO LOCK STILE WITH #8-32 X 1/2" FH SMS (2) PER BOLT

(2) SURFACE MOUNT STRIKE PLATES FACING LOCKS AT 36-1/4" AND 42-1/4" FROM BOTTOM FASTENED TO JAMB/INACTIVE STILE WITH (2) #8 X 1/2" FH SMS

INACTIVE LEAF:

SERIES 2508 FLUSH BOLTS BY 'REGENT' MANUALLY OPERATED LEVERS MOUNTED ON INSIDE FACE OF LEAF STILE LOCATED AT 56" FROM TOP AND 12" FROM BOTTOM FASTENED TO LOCK STILE WITH #8-32 X 1/2" FH SMS (2) PER BOLT



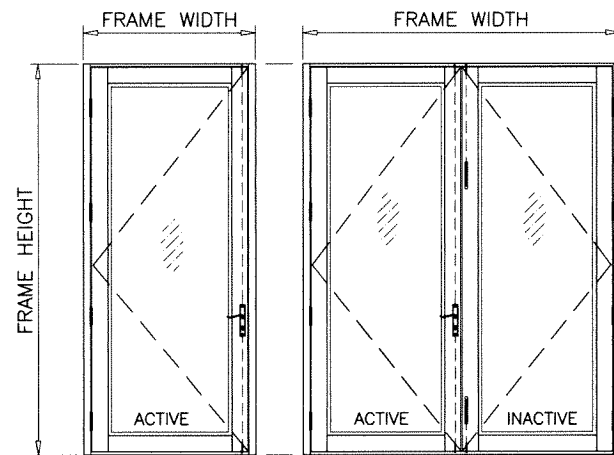
ACTIVE LEAF:

4 POINT LOCK SYSTEM BY 'REGENT' AT 38" FROM BOTTOM HANDLE ACTIVATES DEAD BOLT AND SHOOT BOLTS ENGAGING AT HEAD AND SILL KEY OPERATED ON EXTERIOR AND THUMB TURN ON INTERIOR FASTENED TO ACTIVE LEAF LOCK STILE WITH (2) #10-32 X 1-1/2" OH MS WITH SEX BOLT (2) #8 X 1/2" FH SMS

SURFACE MOUNT STRIKE PLATE FACING LOCK AT 39" FROM BOTTOM FASTENED TO JAMB/INACTIVE STILE WITH (3) #8 X 1/2" FH SMS

INACTIVE LEAF:

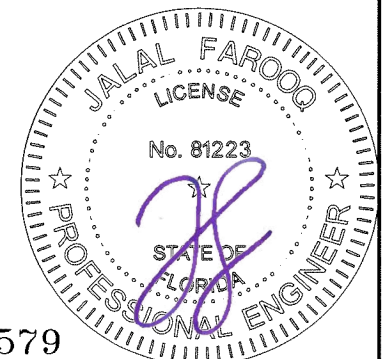
SERIES 2508 FLUSH BOLTS BY 'REGENT' MANUALLY OPERATED LEVERS MOUNTED ON INSIDE FACE OF LEAF STILE LOCATED AT 56" FROM TOP AND 12" FROM BOTTOM FASTENED TO LOCK STILE WITH #8-32 X 1/2" FH SMS (2) PER BOLT



HINGES:

8" LONG SURFACE MOUNT ALUMINUM BUTT HINGES FOUR PER LEAF TOP AND BOTTOM HINGES AT 10" FROM ENDS INTERMEDIATE HINGES EQUALLY SPACED FASTENED TO FRAME AND PANEL WITH #10 X 3/4" TRUSS HEAD SMS (3) PER HASP(LEAF)

Sealed: 7/26/2023



FL #31579

af c
AL-FAROOQ CORPORATION
 ENGINEERS & PRODUCT DEVELOPMENT
 9360 SUNSET DRIVE, SUITE 220
 MIAMI, FLORIDA 33173 (C.A.N. 3538)
 TEL. (305) 264-8100 FAX. (305) 262-6978
 COMP-ANL\20-08F-SWM

SERIES-2011 ALUMINUM OUTSWING DOOR (N.I.)
Sunshine Windows Manufacturing, Inc.
 1785 West 33rd Place
 Hialeah, FL. 33012
 Tel. (305) 364-9952 Fax. (305) 828-5118

revisions:	no	date	by	description
date:	02-04-20	scale:	3/8" = 1"	
dr. by:	TARIO	chk. by:		
drawing no.	20-08F			
sheet	13 of 16			

ITEM #	PART #	REQD.	DESCRIPTION	MATERIAL	MANF./SUPPLIER/REMARKS
1	1202001	1	FRAME HEAD	6063-T6	SINOPEC TRADING
2	1202002	2	FRAME JAMB	6063-T6	SINOPEC TRADING
3	1202003	1	STANDARD THRESHOLD	6063-T6	SINOPEC TRADING
4	1202004	1	ADA THRESHOLD	6063-T6	SINOPEC TRADING
5	1202005	AS REQD.	FRAME COVER	6063-T6	SINOPEC TRADING
6	1202006	AS REQD.	HINGE STILE	6063-T6	SINOPEC TRADING
7	1202007	AS REQD.	ASTRAGAL STILE (ACTIVE)	6063-T6	SINOPEC TRADING
8	1202008	AS REQD.	ASTRAGAL STILE (INACTIVE)	6063-T6	SINOPEC TRADING
9	1202009	AS REQD.	TOP AND BOTTOM RAIL	6063-T6	SINOPEC TRADING
10	1202010	AS REQD.	WEATHERSTRIP ADAPTER	6063-T6	SINOPEC TRADING
11	12113	AS REQD.	GLASS STOP	6063-T6	MI METALS
12	1202012	AS REQD.	SIDELITE TOP AND BOTTOM ADAPTER	6063-T6	SINOPEC TRADING
13	1202013	AS REQD.	MULLION	6063-T6	SINOPEC TRADING
14	12181	AS REQD.	STD. THRESHOLD COVER	6063-T6	MI METALS
15	31296	AS REQD.	ADA THRESHOLD COVER	6063-T6	SAPA EXTRUDERS
16	46917	AS REQD.	HINGES	6063-T6	SAPA EXTRUDERS
17	W33321NK0020	AS REQD.	ULTRA FIN WEATHERSEAL	POLYPROYLENE	ULTRAFAB
18	290DZ1ABBP	AS REQD.	DEAD BOLT	ZINC	REGENT HARDWARE
19	290L3ZAB3BP	AS REQD.	PASSAGE LEVER	ZINC	REGENT HARDWARE
20	2062-3P-SS	AS REQD.	3-POINT MORTISE LOCK	S.S.	REGENT HARDWARE
21	SERIES 2508	AS REQD.	FLUSH BOLTS	ZINC	REGENT HARDWARE
22	ZIALOC 750	AS REQD.	1/8" X 1/4" DOUBLE SIDED TAPE	PE FOAM	TBP CONVERTING
24	E20318WN3020	AS REQD.	T-SLOT EXTRUDED SEAL BULB	TPE PLASTIC	ULTRAFAB
26	-	2/ LITE	SETTING BLOCKS, AT 1/4 POINTS	EPDM	DUROMETER 80±5 SHORE A
27	#10 X 1"	AS REQD.	FRAME ASSEMBLY FASTENERS	STEEL	PH SMS
28	#10 X 1-1/2"	AS REQD.	PANEL ASSEMBLY FASTENERS	STEEL	FH SMS
29	5KGF9	AS REQD.	#10 X 1" METAL SCREW, AT 6" FROM EACH END AND 24" O.C. MAX.	STEEL	GRAINGER
31	PHS8	AS REQD.	2" X 1/8" SPACER	PLASTIC	CRL
32	SSW-131	AS REQD.	SIDELITE REINFORCEMENT	6063-T6	PROFILE
33	X109HT100	AS REQD.	D SECTION RUBBER SEAL	EPDM	TRIMLOCK

SEALANTS:

ALL FRAME AND LEAF JOINTS AND SEAMS SEALED WITH DOWSIL 791 SILICONE.

Sealed: 7/26/2023



FL #31579

afc

AL-FAROOQ CORPORATION
ENGINEERS & PRODUCT DEVELOPMENT
9360 SUNSET DRIVE, SUITE 220
MIAMI, FLORIDA 33173
TEL. (305) 264-8100 FAX. (305) 262-6978
(C.A.N. 3538)

COMP-ANL\20-08F-SWM

SERIES-2011 ALUMINUM OUTSWING DOOR (N.I.)

Sunshine Windows Manufacturing, Inc.

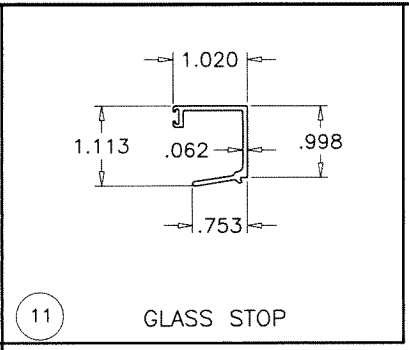
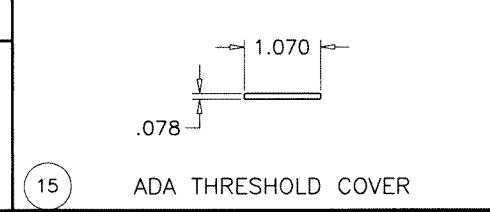
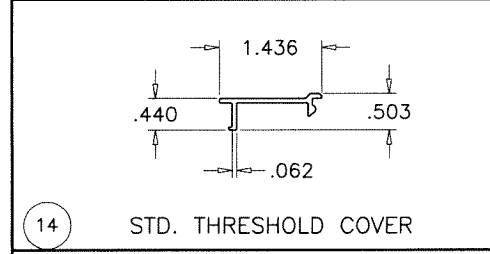
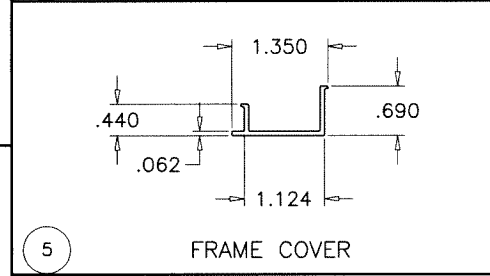
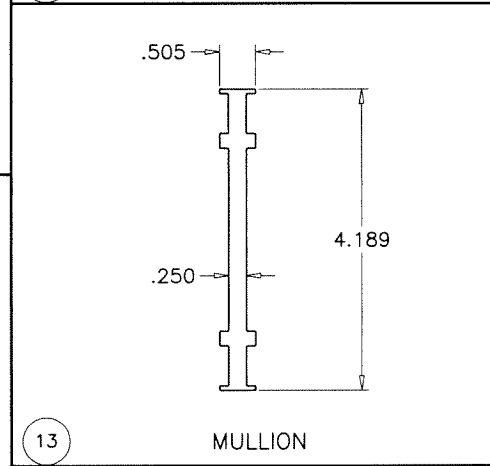
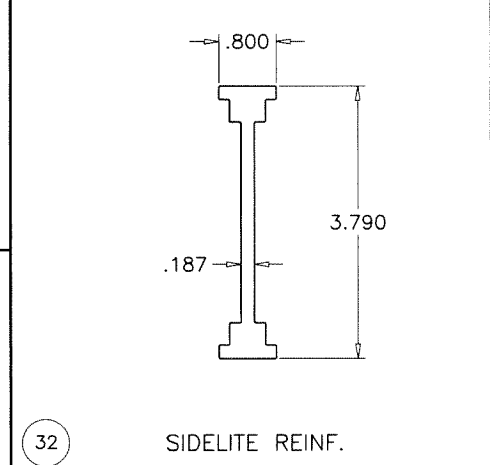
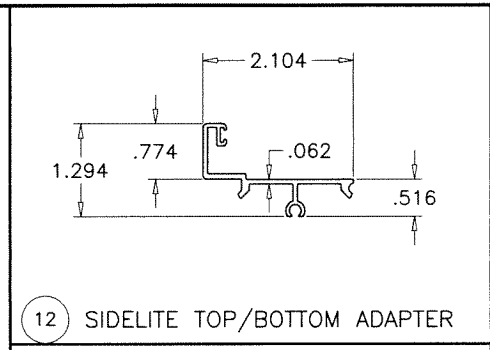
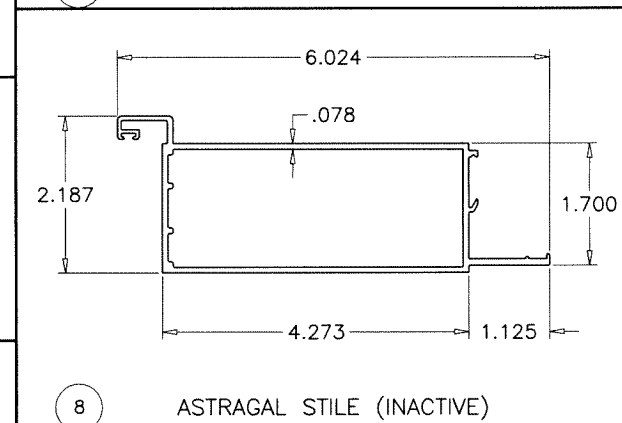
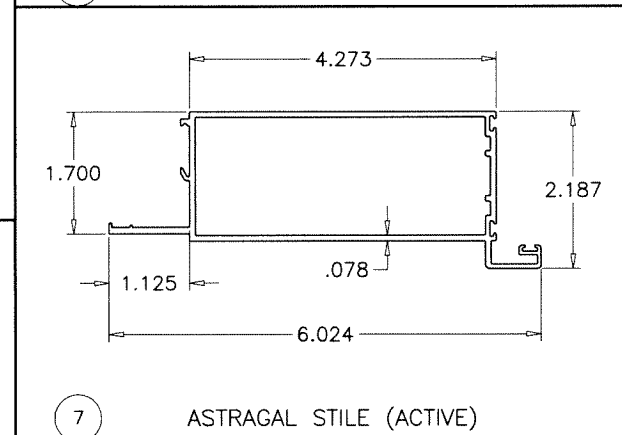
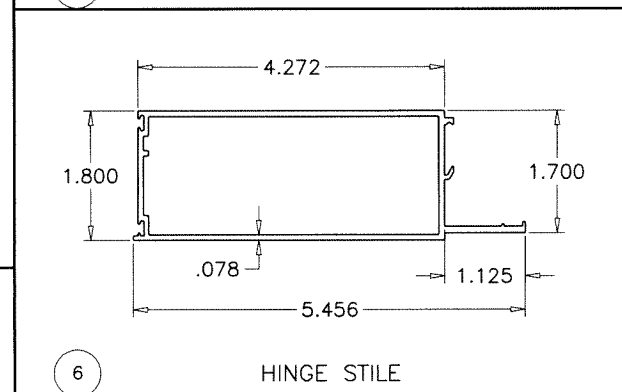
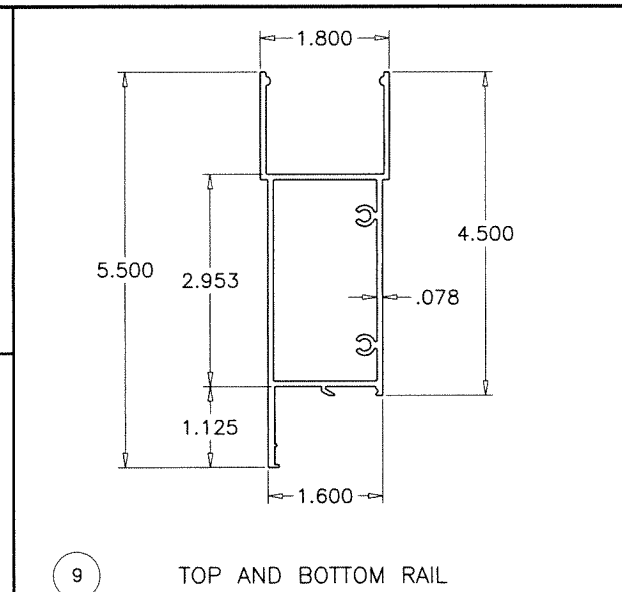
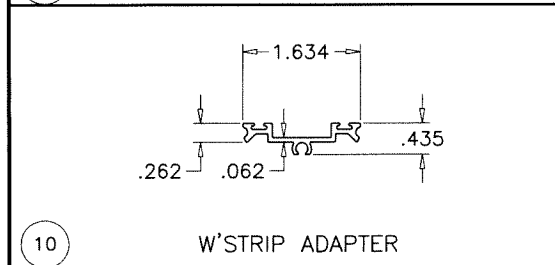
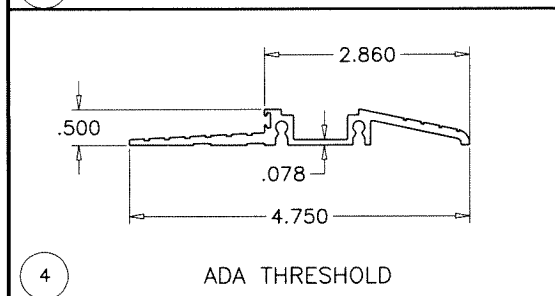
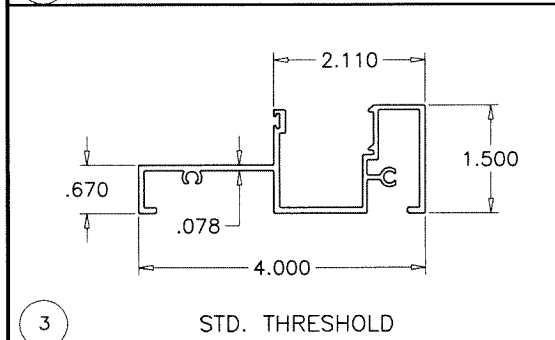
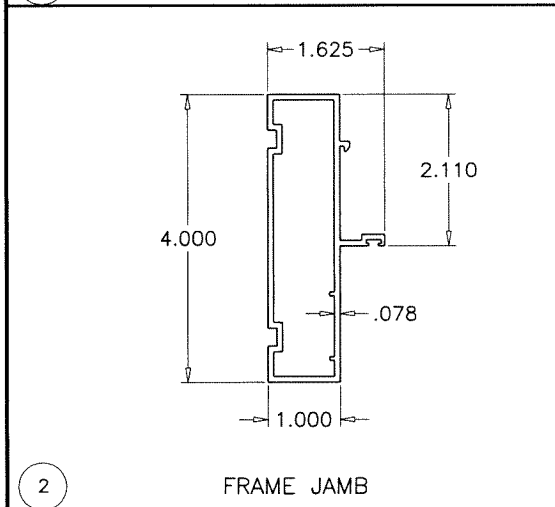
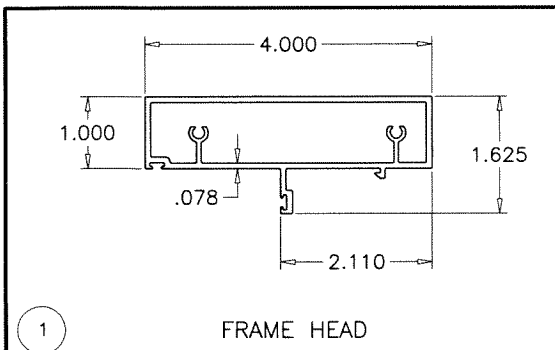
1785 West 33rd Place
Hialeah, FL 33012
Tel. (305) 364-9952 Fax. (305) 828-5118

revisions:	no	date	by	description

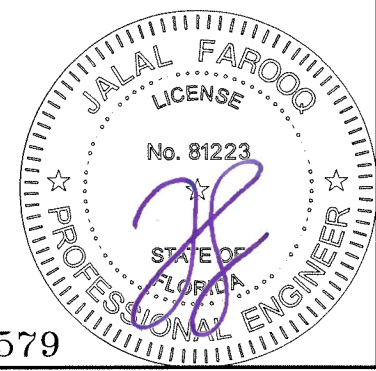
date: 02-04-20
scale: 3/8" = 1"
dr. by: TARIO
chk. by:

drawing no.
20-08F

sheet 14 of 16



Sealed: 7/26/2023

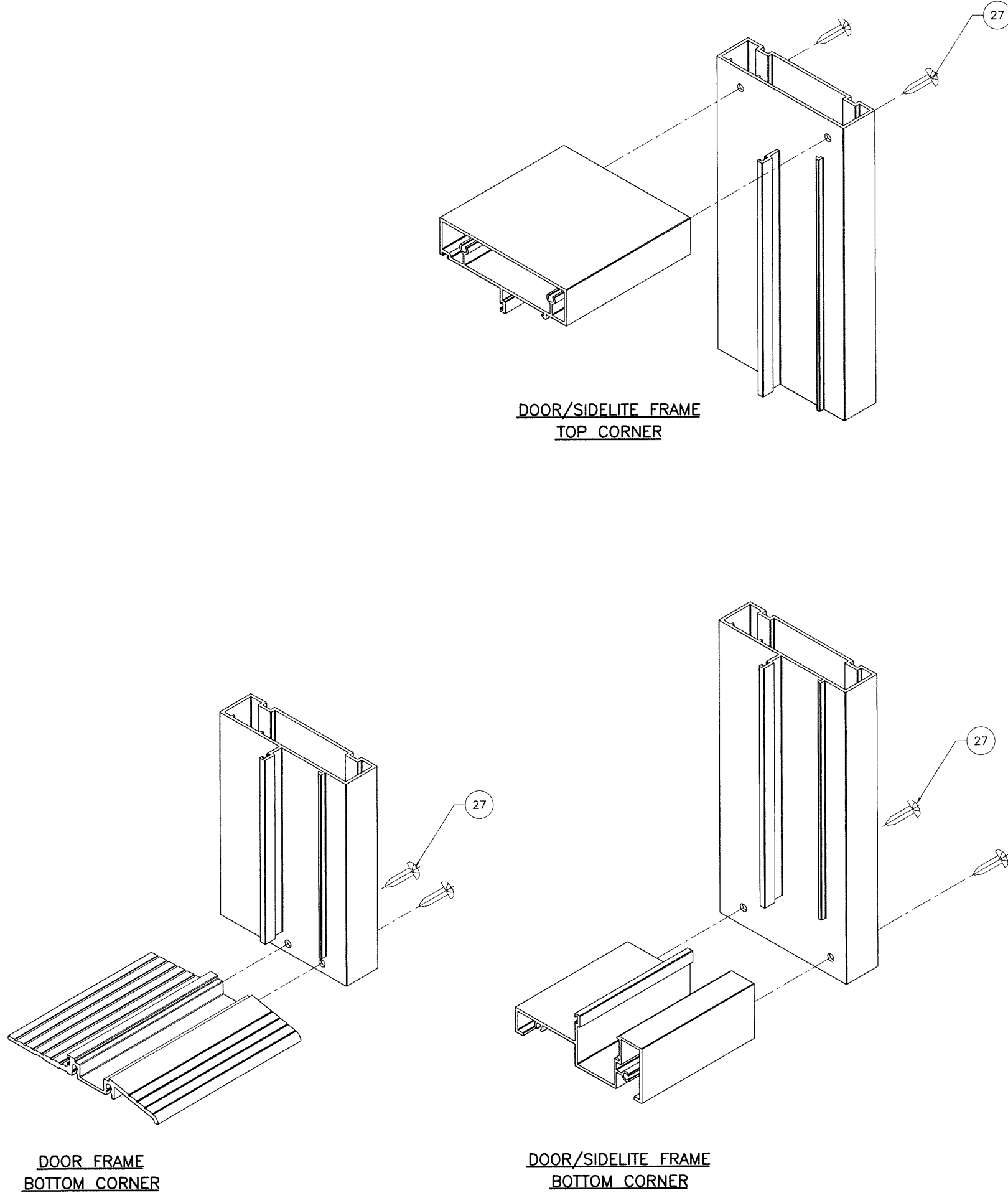


FL #31579

af c
AL-FAROOQ CORPORATION
 ENGINEERS & PRODUCT DEVELOPMENT
 9360 SUNSET DRIVE, SUITE 220
 MIAMI, FLORIDA 33173 (C.A.N. 3538)
 TEL. (305) 264-8100 FAX. (305) 262-6978
 COMP-ANL\20-08F-SWM

SERIES-2011 ALUMINUM OUTSWING DOOR (N.I.)
Sunshine Windows Manufacturing, Inc.
 1785 West 33rd Place
 Hialeah, FL. 33012
 Tel. (305) 364-9952 Fax. (305) 828-5118

revisions:	no	date	description
date:	02-04-20	scale:	3/8" = 1"
dr. by:	TARIQ	chk. by:	
drawing no.	20-08F		
sheet	15 of 16		



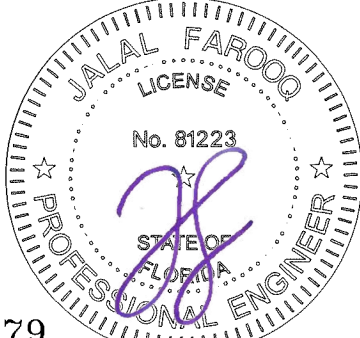
DOOR/SIDELITE FRAME
TOP CORNER

DOOR LEAF CORNER
SIDELITE PANEL CORNER

DOOR FRAME
BOTTOM CORNER

DOOR/SIDELITE FRAME
BOTTOM CORNER

Sealed: 7/26/2023



FL #31579

afc
AL-FAROOQ CORPORATION
ENGINEERS & PRODUCT DEVELOPMENT
9360 SUNSET DRIVE, SUITE 220
MIAMI, FLORIDA 33173 (C.A.N. 3538)
TEL: (305) 264-8100 FAX: (305) 262-6978
COMP-ANL\20-08F-SWM

SERIES-2011 ALUMINUM OUTSWING DOOR (N.I.)
Sunshine Windows Manufacturing, Inc.
1785 West 33rd Place
Hialeah, FL. 33012
Tel. (305) 364-9952 Fax. (305) 828-5118

revisions:	no	date	by	description
date:	02-04-20	scale:	3/8" = 1"	
dr. by:	TARIQ	chk. by:		
drawing no.	20-08F			
sheet	16 of 16			