



[DBPR HOME](#) | [ABOUT DBPR](#) | [DBPR DIVISIONS](#) | [CONTACT DBPR](#)

[BCIS Home](#) | [Log In](#) | [User Registration](#) | [Hot Topics](#) | [Submit Surcharge](#) | [Stats & Facts](#) | [Publications](#) | [Contact Us](#) | [BCIS Site Map](#) | [Links](#) | [Search](#)



**Product Approval**  
USER: Public User

[Product Approval Menu](#) > [Product or Application Search](#) > [Application List](#) > **Application Detail**

OFFICE OF THE SECRETARY

FL #	FL32020-R2								
Application Type	Revision								
Code Version	2023								
Application Status	Approved								
Comments									
Archived	<input type="checkbox"/>								
Product Manufacturer	Sunshine Windows Manufacturing Inc.								
Address/Phone/Email	1745 West 33rd Place Hialeah, FL 33012 (305) 364-9952 Ext 109 noel_m_2001@yahoo.com								
Authorized Signature	Jalal Farooq veronica@afceng.com								
Technical Representative									
Address/Phone/Email									
Quality Assurance Representative									
Address/Phone/Email									
Category	Windows								
Subcategory	Fixed								
Compliance Method	Evaluation Report from a Florida Registered Architect or a Licensed Florida Professional Engineer <input type="checkbox"/> Evaluation Report - Hardcopy Received								
Florida Engineer or Architect Name who developed the Evaluation Report	Jalal Farooq								
Florida License	PE-81223								
Quality Assurance Entity	Keystone Certifications, Inc.								
Quality Assurance Contract Expiration Date	02/28/2029								
Validated By	Abel Carrasco, PE <input checked="" type="checkbox"/> Validation Checklist - Hardcopy Received								
Certificate of Independence	<a href="#">FL32020 R2 COI SS - Certificate of Independence.pdf</a>								
Referenced Standard and Year (of Standard)	<table border="0"> <thead> <tr> <th><b>Standard</b></th> <th><b>Year</b></th> </tr> </thead> <tbody> <tr> <td>TAS 201</td> <td>1994</td> </tr> <tr> <td>TAS 202</td> <td>1994</td> </tr> <tr> <td>TAS 203</td> <td>1994</td> </tr> </tbody> </table>	<b>Standard</b>	<b>Year</b>	TAS 201	1994	TAS 202	1994	TAS 203	1994
<b>Standard</b>	<b>Year</b>								
TAS 201	1994								
TAS 202	1994								
TAS 203	1994								
Equivalence of Product Standards Certified By									
Sections from the Code									

Product Approval Method

Method 1 Option D

Date Submitted

07/26/2023

Date Validated

07/30/2023

Date Pending FBC Approval

08/02/2023

Date Approved

10/18/2023

**Summary of Products**

FL #	Model, Number or Name	Description
32020.1	Series F-2009 Steel Frame Fixed Window	Large missile impact resistant steel frame fixed window with 90 min. fire rated glass.
<b>Limits of Use</b> <b>Approved for use in HVHZ:</b> Yes <b>Approved for use outside HVHZ:</b> Yes <b>Impact Resistant:</b> Yes <b>Design Pressure:</b> +110/-110 <b>Other:</b> See drawings 20-24F for installation details.		<b>Installation Instructions</b> <a href="#">FL32020_R2_II_SS- F-2009 Steel FW (LMI) - DWG 20-24F (2023).pdf</a> Verified By: Jalal Farooq PE # 81223 Created by Independent Third Party: Yes <b>Evaluation Reports</b> <a href="#">FL32020_R2_AE_SS- F2009 Steel FW (LMI) - PAE 2023.pdf</a> Created by Independent Third Party: Yes
32020.2	Series F-2009 Steel Frame Fixed Window	Non-impact resistant steel frame fixed window with 90 min. fire rated glass.
<b>Limits of Use</b> <b>Approved for use in HVHZ:</b> Yes <b>Approved for use outside HVHZ:</b> Yes <b>Impact Resistant:</b> No <b>Design Pressure:</b> +75/-75 <b>Other:</b> See drawings 20-25F for span vs load combinations and installation details.		<b>Installation Instructions</b> <a href="#">FL32020_R2_II_SS- F-2009 Steel FW (NI) - DWG 20-25F (2023).pdf</a> Verified By: Jalal Farooq PE # 81223 Created by Independent Third Party: Yes <b>Evaluation Reports</b> <a href="#">FL32020_R2_AE_SS- F2009 Steel FW (NI) - PAE 2023.pdf</a> Created by Independent Third Party: Yes

[Back](#)

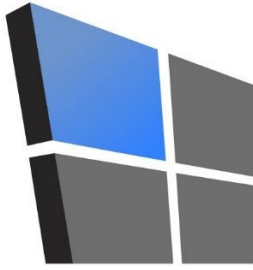
[Next](#)

Contact Us :: [2601 Blair Stone Road, Tallahassee FL 32399](#) Phone: 850-487-1824

The State of Florida is an AA/EEO employer. [Copyright 2007-2013 State of Florida.](#) :: [Privacy Statement](#) :: [Accessibility Statement](#) :: [Refund Statement](#)

Under Florida law, email addresses are public records. If you do not want your e-mail address released in response to a public-records request, do not send electronic mail to this entity. Instead, contact the office by phone or by traditional mail. If you have any questions, please contact 850.487.1395. \*Pursuant to Section 455.275(1), Florida Statutes, effective October 1, 2012, licensees licensed under Chapter 455, F.S. must provide the Department with an email address if they have one. The emails provided may be used for official communication with the licensee. However email addresses are public record. If you do not wish to supply a personal address, please provide the Department with an email address which can be made available to the public. To determine if you are a licensee under Chapter 455, F.S., please click [here](#).





# AL-FAROOQ CORPORATION

CONSULTING ENGINEERS & PRODUCT DEVELOPMENT

August 11, 2020

Product Approval Administrator  
Building Codes & Standards Section  
Department of Business & Professional Regulations  
1940 North Monroe Street, Suite 90  
Tallahassee, FL 32399-2100

To whom it may concern,

As the design engineer retained to prepare the product approval(s) associated with this letter as shown below on this same web page, I do hereby declare that I do not have and will not have any financial interest in any company manufacturing or distributing the referenced product(s), nor do I have or will have any financial interest with any other entity involved in the approval process of the referenced product(s).

Sincerely,



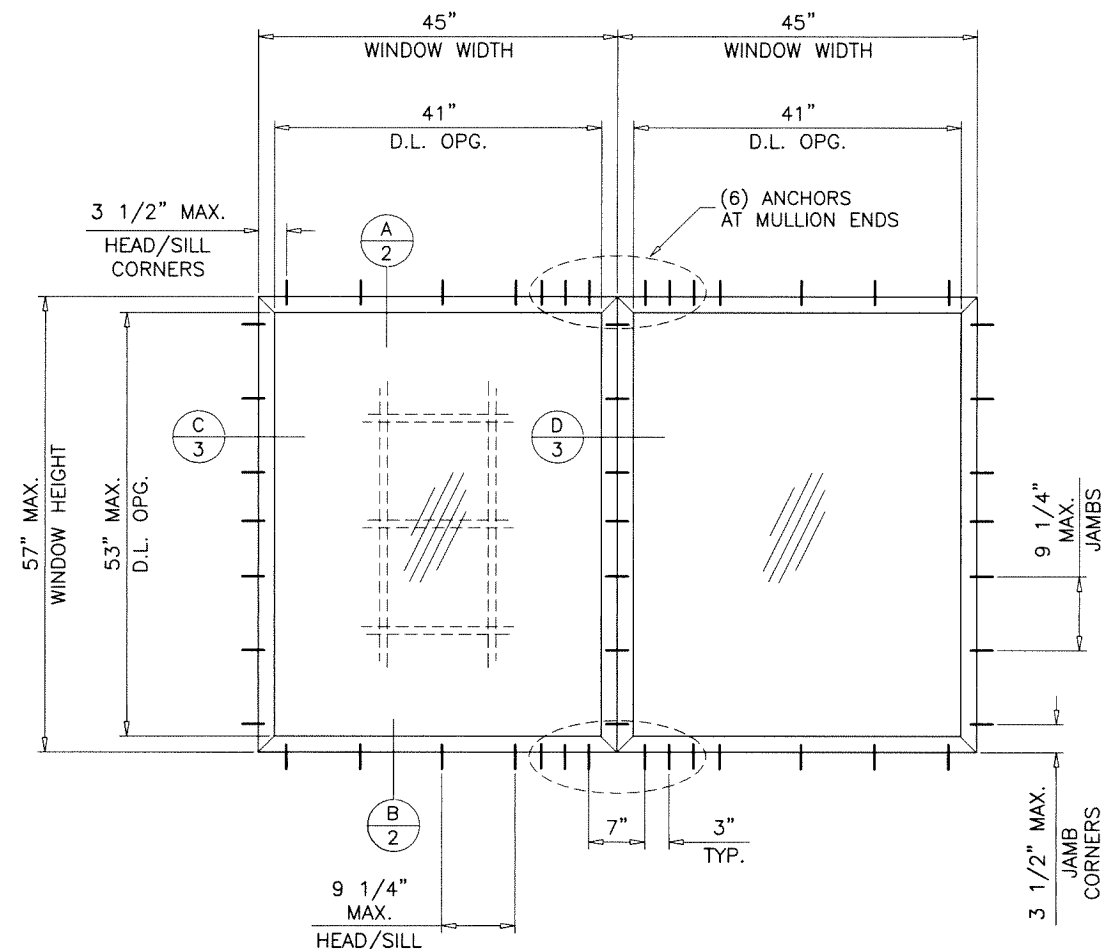
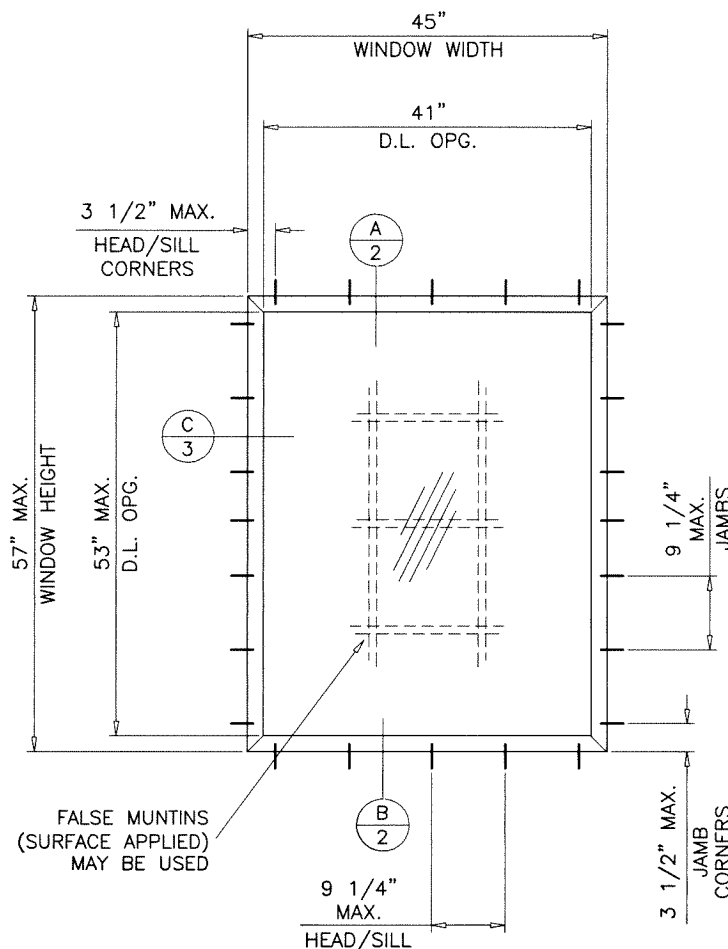
Sealed 8-11-2020

Jalal Farooq, P.E.  
CFO

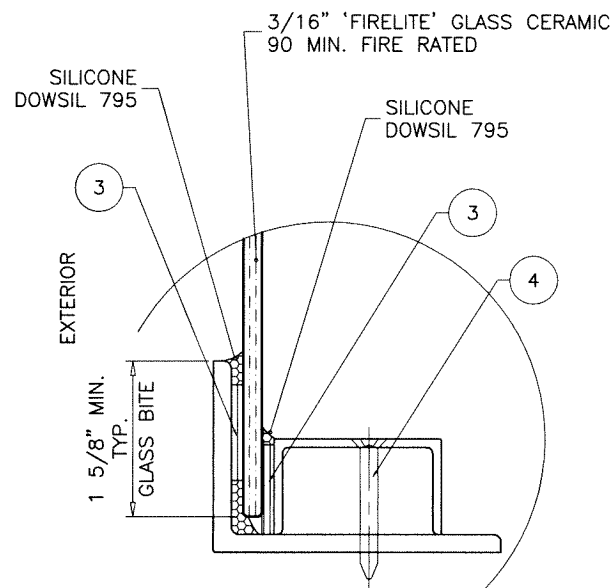


DESIGN LOAD CAPACITY - PSF			
FRAME DIMS.		3/16" THK. GLASS CERAMIC	
WIDTH	HEIGHT	EXT.(+)	INT.(-)
19-1/8"	26"	75.0	75.0
26-1/2"		75.0	75.0
37"		75.0	75.0
53-1/8"		69.3	69.3
19-1/8"	38-3/8"	75.0	75.0
26-1/2"		75.0	75.0
37"		60.8	60.8
53-1/8"		55.6	55.6
19-1/8"	50-5/8"	75.0	75.0
26-1/2"		69.6	69.6
37"		58.0	58.0
53-1/8"		55.6	55.6
19-1/8"	57"	75.0	75.0
26-1/2"		64.1	64.1
37"		46.8	46.8
53-1/8"		55.6	55.6
18"	18"	75.0	75.0
24"		75.0	75.0
30"		75.0	75.0
36"		75.0	75.0
45"		75.0	75.0
48"		75.0	75.0
57"		75.0	75.0
53-1/8"		55.6	55.6
18"	48"	75.0	75.0
24"		75.0	75.0
30"		66.0	66.0
36"		60.5	60.5
45"		50.0	50.0
48"		46.9	46.9
57"		75.0	75.0
53-1/8"		55.6	55.6
18"	57"	75.0	75.0
24"		71.9	71.9
30"		60.4	60.4
36"		54.5	54.5
45"		49.3	49.3
53-1/8"		49.3	49.3
18"	30"	75.0	75.0
24"		75.0	75.0
30"		75.0	75.0
36"		75.0	75.0
45"		68.1	68.1
48"		66.0	66.0
57"	60.4	60.4	

DESIGN LOAD CAPACITY - PSF			
FRAME DIMS.		3/16" THK. GLASS CERAMIC	
WIDTH	HEIGHT	EXT.(+)	INT.(-)
18"	36"	75.0	75.0
24"		75.0	75.0
30"		75.0	75.0
36"		62.5	62.5
45"	45"	62.5	62.5
48"		60.5	60.5
57"		54.5	54.5
53-1/8"		55.6	55.6
18"	45"	75.0	75.0
24"		75.0	75.0
30"		68.1	68.1
36"		62.5	62.5
45"		50.0	50.0
48"		50.0	50.0
57"	49.3	49.3	
18"	48"	75.0	75.0
24"		75.0	75.0
30"		66.0	66.0
36"		60.5	60.5
45"		50.0	50.0
48"		46.9	46.9
57"		75.0	75.0
53-1/8"		55.6	55.6
18"	57"	75.0	75.0
24"		71.9	71.9
30"		60.4	60.4
36"		54.5	54.5
45"		49.3	49.3
53-1/8"		49.3	49.3



**TYPICAL ELEVATIONS**  
(TESTED UNITS)



**GLAZING DETAIL**

NOTE:  
GLASS CAPACITIES ON THIS SHEET ARE  
BASED ON ASTM E1300-09 (3 SEC. GUSTS).

**SERIES F-2009 STEEL FRAME FIXED WINDOW**  
**90 MIN. FIRE RATED**

DESIGN LOAD RATINGS FOR THESE WINDOWS TO BE AS PER CHARTS SHOWN ABOVE.

THIS PRODUCT HAS BEEN DESIGNED AND TESTED TO COMPLY WITH THE REQUIREMENTS OF THE 2020 (7TH EDITION)/2023 (8TH EDITION) FLORIDA BUILDING CODE INCLUDING HIGH VELOCITY HURRICANE ZONE (HVHZ).

ANCHORS SHALL BE CORROSION RESISTANT, SPACED AS SHOWN ON DETAILS AND INSTALLED PER MANUF'S INSTRUCTIONS. SPECIFIED EMBEDMENT TO BASE MATERIAL SHALL BE BEYOND WALL DRESSING OR STUCCO.

ALL SHIMS TO BE HIGH IMPACT, NON-METALLIC AND NON-COMPRESSIBLE.

MATERIALS INCLUDING BUT NOT LIMITED TO STEEL/METAL SCREWS, THAT COME INTO CONTACT WITH OTHER DISSIMILAR MATERIALS SHALL MEET THE REQUIREMENTS OF THE 2020/2023 FLORIDA BLDG. CODE & ADOPTED STANDARDS.

THIS PRODUCT APPROVAL IS GENERIC AND DOES NOT PROVIDE INFORMATION FOR A SITE SPECIFIC PROJECT, I.E. LIFE SAFETY OF THIS PRODUCT, ADEQUACY OF STRUCTURE RECEIVING THIS PRODUCT AND SEALING AROUND OPENING FOR WATER INFILTRATION RESISTANCE ETC.

CONDITIONS NOT SHOWN IN THIS DRAWING ARE TO BE ANALYZED SEPARATELY, AND TO BE REVIEWED BY BUILDING OFFICIAL.

DESIGN LOADS SHOWN ARE BASED ON 'ALLOWABLE STRESS DESIGN (ASD)'.

MANUFACTURER'S LABEL SHALL BE LOCATED ON A READILY VISIBLE LOCATION IN ACCORDANCE WITH SECTION 1709.9.3 OF FLORIDA BUILDING CODE. LABELING TO COMPLY WITH SECTION 1709.9.2.

THESE WINDOWS ARE NOT RATED FOR IMPACT.

INSTALLATION OF THIS PRODUCT IN THE HVHZ AREA REQUIRES THE USE OF APPROVED SHUTTERS OR EXTERNAL PROTECTION DEVICES COMPLYING WITH HVHZ REQUIREMENTS.

INSTALLATION OF THIS SYSTEM OUTSIDE THE HVHZ AREA MUST MEET THE APPLICABLE REQUIREMENTS FOR WIND BORNE DEBRIS PROTECTION.

**MONOLITHIC GLASS**  
**NON IMPACT**

Sealed: 7/26/2023

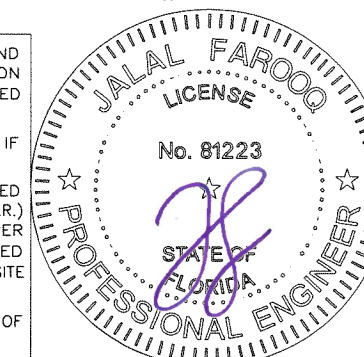
FL #32020

A- CONTRACTOR TO BE RESPONSIBLE FOR THE SELECTION, PURCHASE AND INSTALLATION OF THIS PRODUCT BASED ON THIS PRODUCT EVALUATION PROVIDED HE/SHE DOES NOT DEVIATE FROM THE CONDITIONS DETAILED ON THIS DOCUMENT.

B- THIS PRODUCT EVALUATION DOCUMENT WILL BE CONSIDERED INVALID IF ALTERED BY ANY MEANS.

C- SITE SPECIFIC PROJECTS SHALL BE PREPARED BY A FLORIDA REGISTERED ENGINEER OR ARCHITECT WHICH WILL BECOME THE ENGINEER OF RECORD (E.O.R.) FOR THE PROJECT AND WHO WILL BE RESPONSIBLE FOR THE PROPER USE OF THE P.E.D. ENGINEER OF RECORD, ACTING AS A DELEGATED ENGINEER TO THE P.E.D. ENGINEER SHALL SUBMIT TO THIS LATTER THE SITE SPECIFIC DRAWINGS FOR REVIEW.

D- THIS P.E.D. SHALL BEAR THE DATE AND ORIGINAL SEAL AND SIGNATURE OF THE PROFESSIONAL ENGINEER OF RECORD THAT PREPARED IT.



**AL-FAROOQ CORPORATION**  
ENGINEERS & PRODUCT DEVELOPMENT  
9360 SUNSET DRIVE, SUITE 220  
MIAMI, FLORIDA 33173 (C.A.N. 3558)  
TEL. (305) 264-8100 FAX. (305) 262-6978  
COMP-ANL\20-25F-SWM

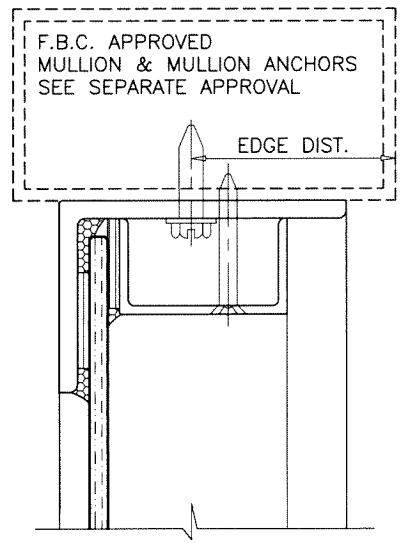
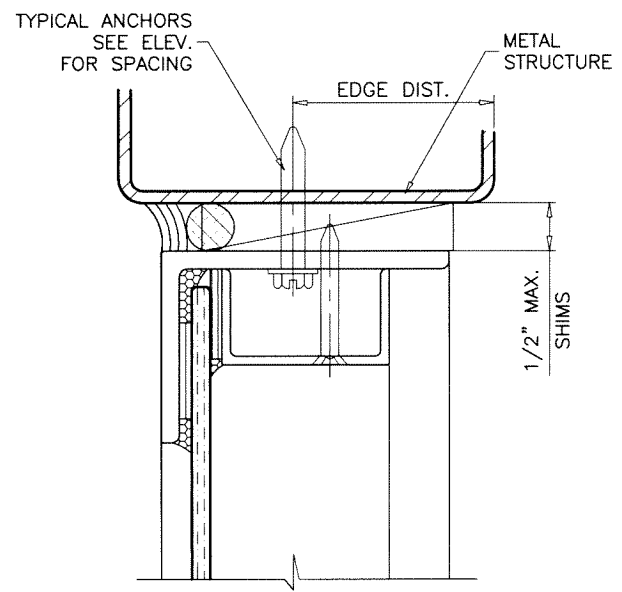
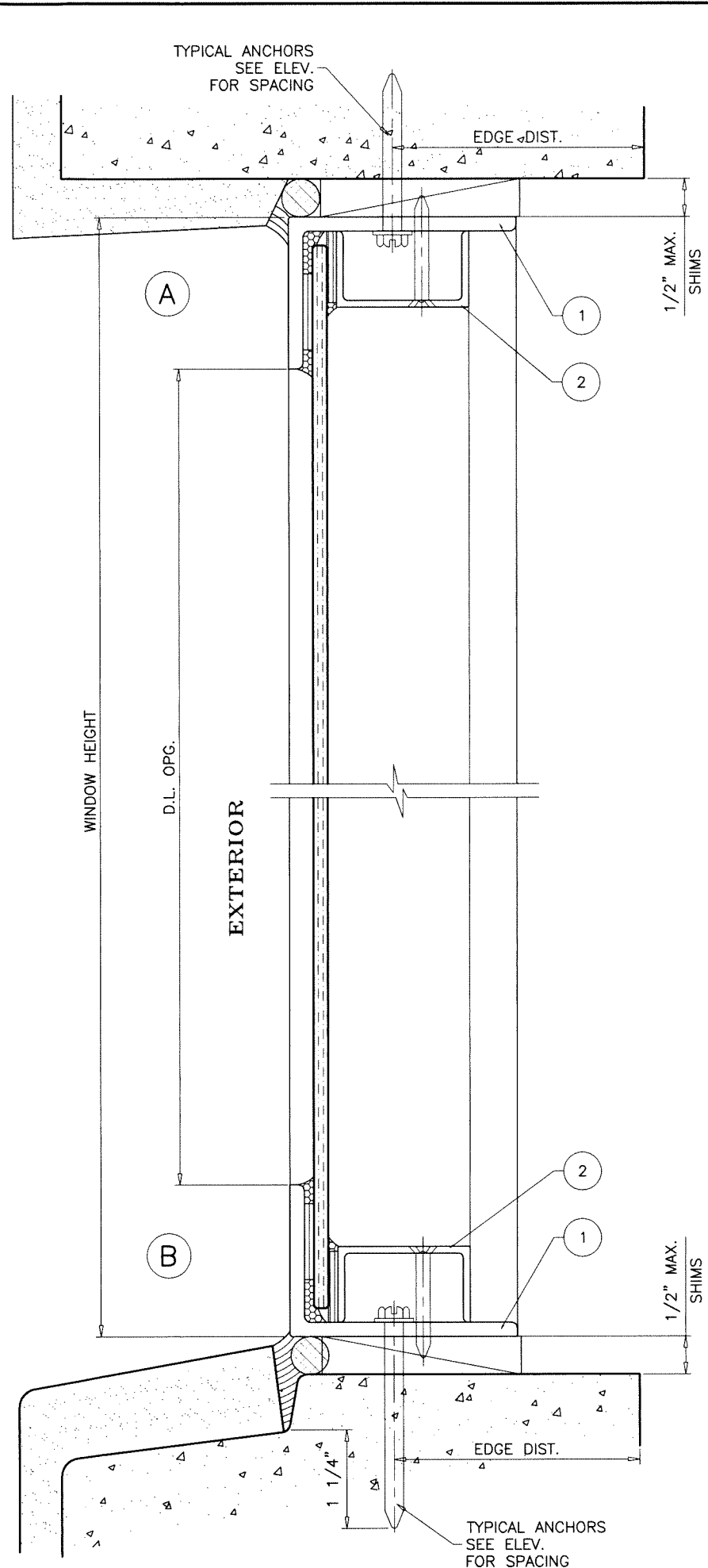
SERIES F-2009 STEEL FRAME FIXED WDW. (N.I.)  
**Sunshine Windows Manufacturing, Inc.**  
1785 West 33rd Place  
Hialeah, FL. 33012  
Tel. (305) 364-9952 Fax. (305) 828-5118

no.	date	description
A	08.28.20	UPDATED TO 2020 FBC
B	07.21.23	UPDATED TO 2023 FBC

date: 02-27-20  
scale: 1/2"=1'-0"  
dr. by: TARIQ  
chk. by:

drawing no.  
**20-25F**

sheet 1 of 4



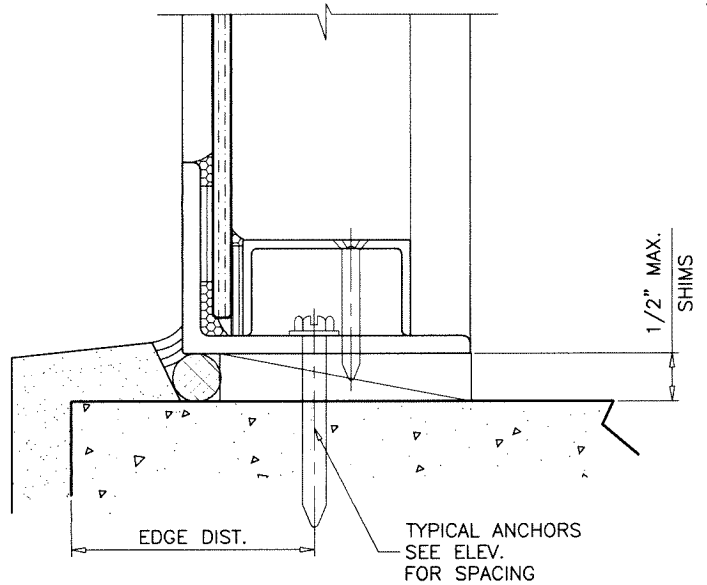
METAL STRUCTURE NOT BY 'SUNSHINE WDW.'  
MUST SUSTAIN LOADS IMPOSED BY GLAZING SYSTEM  
AND TRANSFER THEM TO THE BUILDING STRUCTURE.

**TYPICAL ANCHORS:** SEE ELEV. FOR SPACING  
**1/4" DIA. ULTRACON+ BY 'DEWALT'** (Fu=164 KSI, Fy=148 KSI)  
 DIRECTLY INTO CONCRETE OR BLOCKS  
 1-1/4" MIN. EMBED INTO CONCRETE (HEAD/SILL/JAMBS)  
 1-1/4" MIN. EMBED INTO BLOCKS (JAMBS)

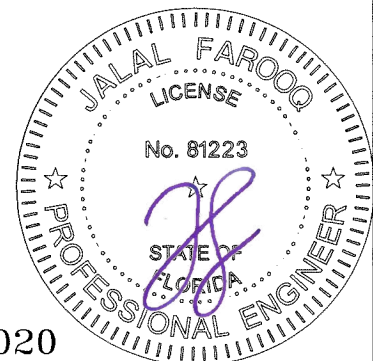
**#14 SMS OR SELF DRILLING SCREWS** (GRADE 2 CRS)  
 INTO F.B.C. APPROVED MULLIONS  
 OR  
 INTO METAL STRUCTURES (HEAD/SILL/JAMBS)  
 (3) THREADS MIN. TO EXTEND BEYOND METAL THICKNESS  
 ALUMINUM: 1/8" THK. MIN. (6063-T5 MIN.)  
 STEEL: 1/8" THK. MIN. (Fy = 36 KSI MIN.)  
 (STEEL IN CONTACT WITH ALUMINUM TO BE PLATED OR PAINTED)

**TYPICAL EDGE DISTANCE**  
 INTO CONCRETE AND BLOCKS = 2-1/2" MIN.  
 INTO METAL STRUCTURE = 3/4" MIN.

CONCRETE AT HEAD, SILL OR JAMBS f'c = 3000 PSI MIN.  
 C-90 HOLLOW/FILLED BLOCK AT JAMBS f'm = 2000 PSI MIN.



Sealed: 7/26/2023



FL #32020

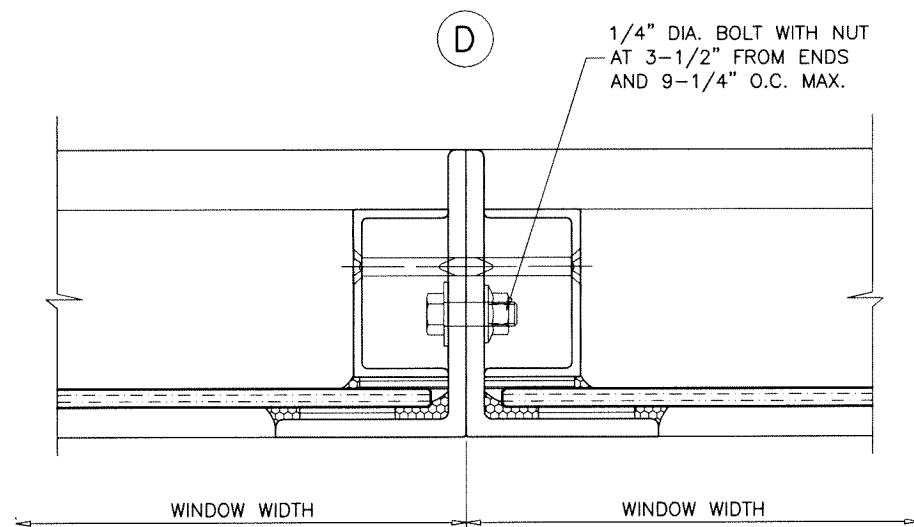
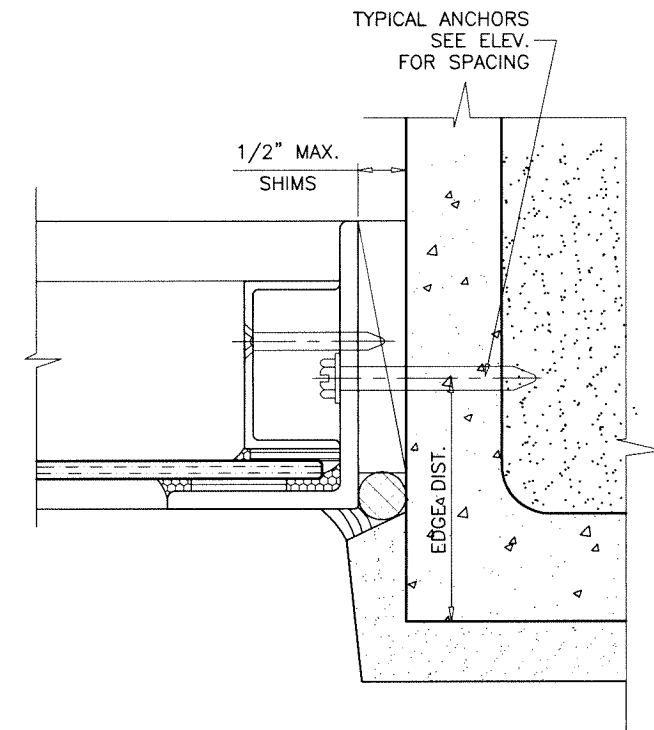
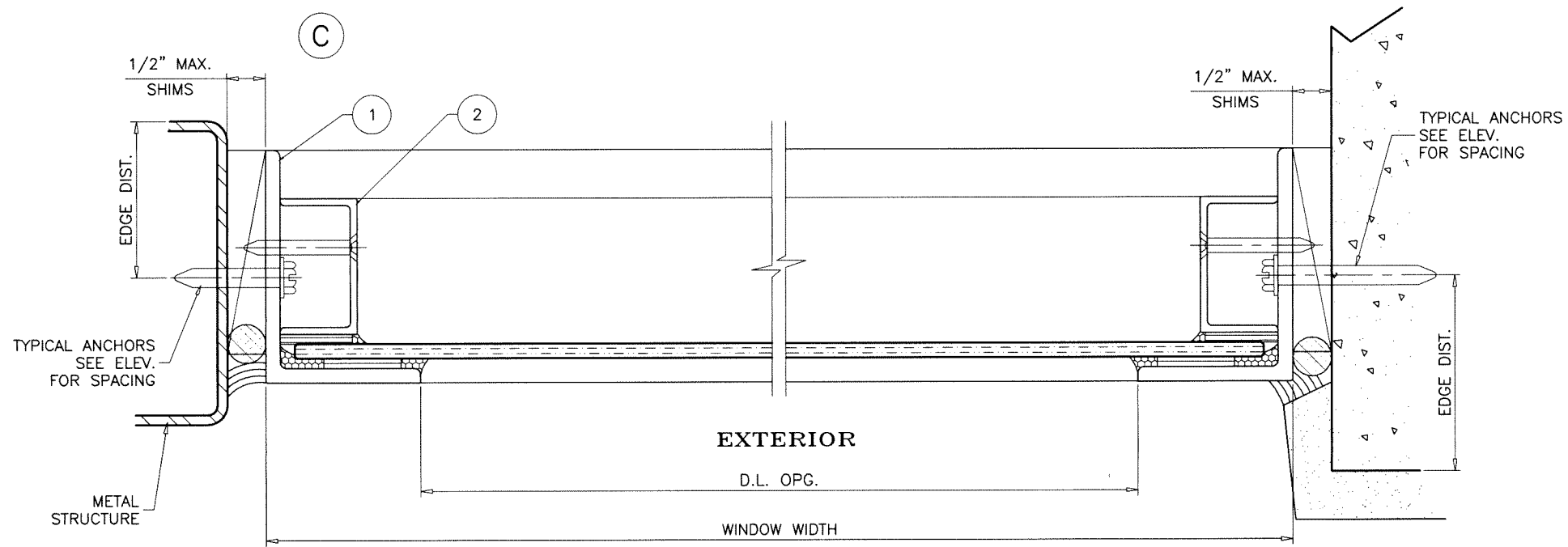
**af c**  
**AL-FAROOQ CORPORATION**  
 ENGINEERS & PRODUCT DEVELOPMENT  
 9360 SUNSET DRIVE, SUITE 220  
 MIAMI, FLORIDA 33173 (C.A.N. 3538)  
 TEL. (305) 264-8100 FAX. (305) 262-6978  
 COMP-ANL\20-25F-SWM

SERIES F-2009 STEEL FRAME FIXED WDW. (N.I.)  
**Sunshine Windows Manufacturing, Inc.**  
 1785 West 33rd Place  
 Hialeah, FL. 33012  
 Tel. (305) 364-9952 Fax. (305) 828-5118

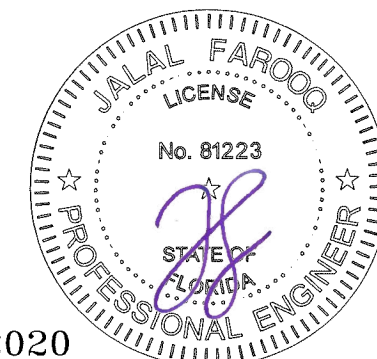
revisions:	no.	date	by	description

date: 02-27-20  
 scale: 1/2" = 1"  
 dr. by: TARIQ  
 chk. by:

drawing no.  
**20-25F**  
 sheet 2 of 4



Sealed: 7/26/2023



FL #32020

**afc**

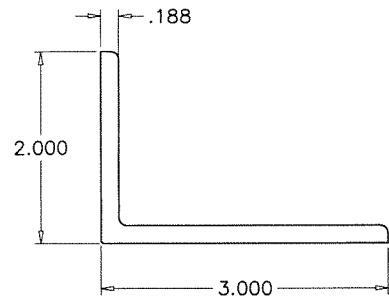
**AL-FAROOQ CORPORATION**  
 ENGINEERS & PRODUCT DEVELOPMENT  
 9360 SUNSET DRIVE, SUITE 220  
 MIAMI, FLORIDA 33173 (C.A.N. 3538)  
 TEL. (305) 264-8100 FAX. (305) 262-6978  
 COMP-ANL\20-25F-SWM

SERIES F-2009 STEEL FRAME FIXED WDW. (N.I.)  
**Sunshine Windows Manufacturing, Inc.**  
 1785 West 33rd Place  
 Hialeah, FL. 33012  
 Tel. (305) 364-9952 Fax. (305) 828-5118

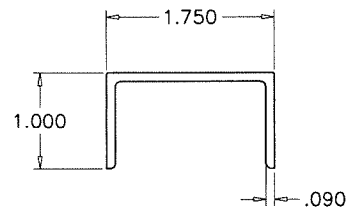
revisions:	
no	description

date: 02-27-20  
 scale: 1/2" = 1"  
 dr. by: TARIQ  
 chk. by:

drawing no.  
**20-25F**  
 sheet 3 of 4



① WINDOW FRAME

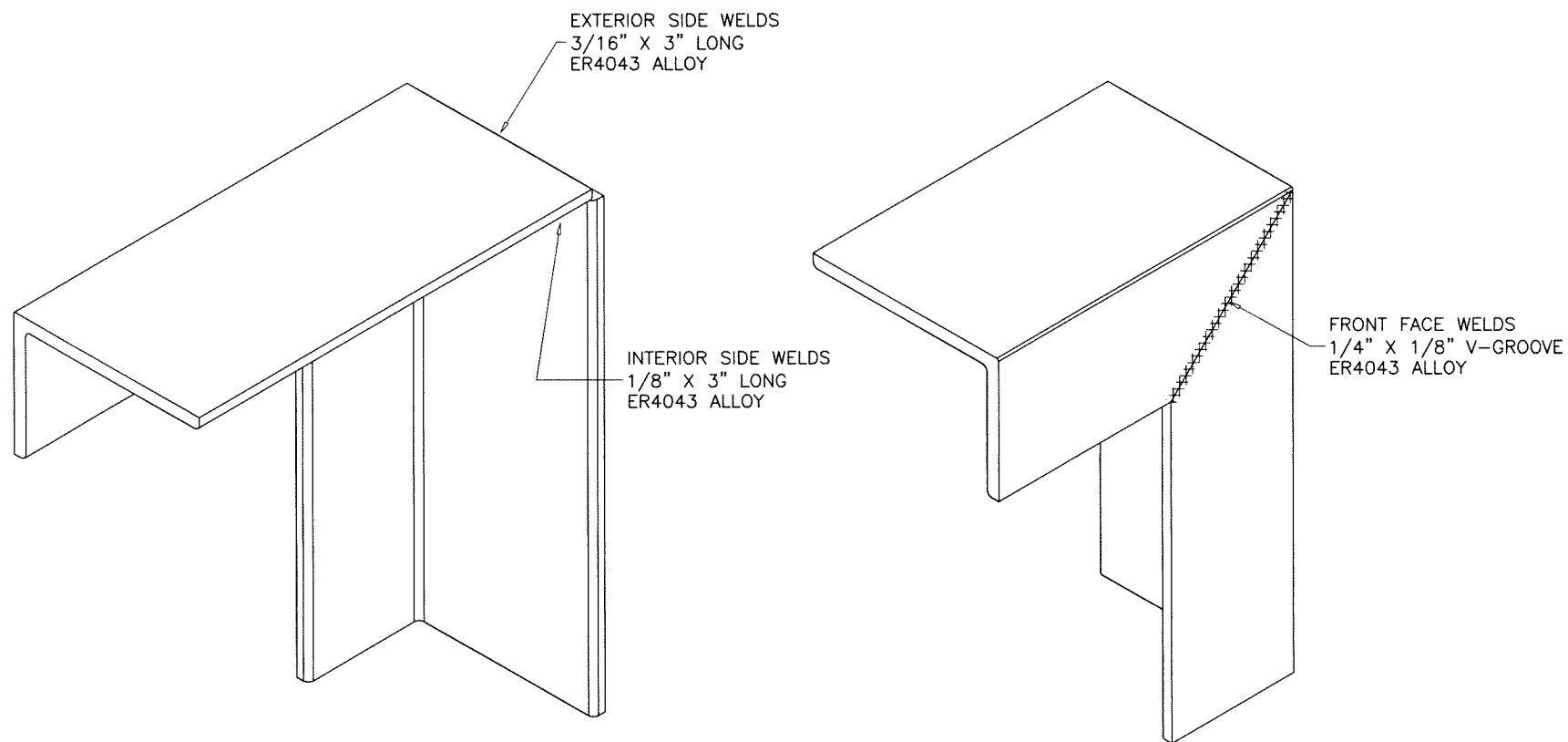


② GLASS STOP

ITEM	PART #	QUANTITY	DESCRIPTION	MATERIAL	MANF./SUPPLIER/REMARKS
1	-	4	WINDOW FRAME	STEEL	A36, Fu MIN. 58 KSI
2	-	4	GLASS STOP	STEEL	A36, Fu MIN. 58 KSI
3	-	AS REQD.	GLAZING TAPE (1/8" X 1")	FIBERGLASS	-
4	#12 X 1-1/2"	AS REQD.	GLASS STOP FASTENERS, AT 5-1/2" FROM ENDS & 11-1/4" O.C.	ST. STEEL	FH SMS

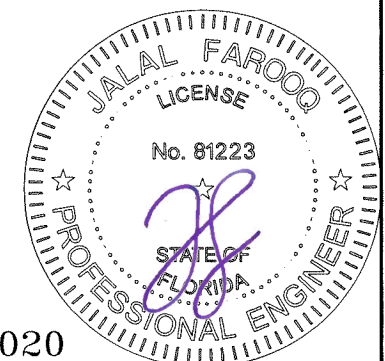
**SEALANT:**

ALL JOINTS AND FRAME CONNECTIONS SEALED WITH SCHNEE MOREHEAD SM-5504 JOINT SEALER.



WINDOW CORNER

Sealed: 7/26/2023



FL #32020

**af c**  
**AL-FAROOQ CORPORATION**  
 ENGINEERS & PRODUCT DEVELOPMENT  
 9360 SUNSET DRIVE, SUITE 220  
 MIAMI, FLORIDA 33173 (C.A.N. 3538)  
 TEL. (305) 264-8100 FAX. (305) 262-6978  
 COMP-ANL\20-25F-SWM

SERIES F-2009 STEEL FRAME FIXED WDW. (N.I.)  
**Sunshine Windows Manufacturing, Inc.**  
 1785 West 33rd Place  
 Hialeah, FL. 33012  
 Tel. (305) 364-9952 Fax. (305) 828-5118

revisions:	no	date	by	description

date: 02-27-20  
 scale: 1/2" = 1"  
 dr. by: TARIQ  
 chk. by:

drawing no.  
**20-25F**

sheet **4** of **4**