

# FLORIDA DEPARTMENT OF Business & Professional Regulation

[BCIS Home](#) | [Log In](#) | [User Registration](#) | [Hot Topics](#) | [Submit Surcharge](#) | [Stats & Facts](#) | [Publications](#) | [Contact Us](#) | [BCIS Site Map](#) | [Links](#) | [Search](#)



**Product Approval**  
USER: Public User

[Product Approval Menu](#) > [Product or Application Search](#) > [Application List](#) > **Application Detail**

OFFICE OF THE  
SECRETARY

FL # **FL46578**  
Application Type **New**  
Code Version **2023**  
Application Status **Approved**

Comments

Product Manufacturer  
Address/Phone/Email  
Sunshine Windows Manufacturing Inc.  
1745 West 33rd Place  
Hialeah, FL 33012  
(305) 364-9952 Ext 109  
noel\_lm\_2001@yahoo.com

Authorized Signature  
Jalal Farooq  
veronica@afceeng.com

Technical Representative  
Address/Phone/Email

Quality Assurance Representative  
Address/Phone/Email

Category **Windows**  
Subcategory **Single Hung**

Compliance Method  
Evaluation Report from a Florida Registered Architect or a Licensed Florida Professional Engineer  
 Evaluation Report - Hardcopy Received

Florida Engineer or Architect Name who developed the Evaluation Report  
Jalal Farooq  
Florida License  
PE-81223  
Quality Assurance Entity  
Keystone Certifications, Inc.  
Quality Assurance Contract Expiration Date  
02/28/2029  
Validated By  
Abel Carrasco, PE  
 Validation Checklist - Hardcopy Received

Certificate of Independence  
[FL46578\\_R0\\_COI\\_SS - Certificate of Independence 2023.pdf](#)

Referenced Standard and Year (of Standard)	Standard	Year
	TAS 201	1994
	TAS 202	1994
	TAS 203	1994

Equivalence of Product Standards  
Certified By

Sections from the Code



Product Approval Method

Method 1 Option D

Date Submitted  
Date Validated  
Date Pending FBC Approval  
Date Approved

02/29/2024  
02/29/2024  
03/05/2024  
04/16/2024

**Summary of Products**

FL #	Model, Number or Name	Description
46578.1	Grandeur Series 2023 Aluminum Single Hung Window	Large missile impact resistant aluminum single hung window.  <b>Installation Instructions</b> EL46578_R0_II_SS - Grandeur 2023 SH (NI) - DWG 23-61F 2023.pdf Verified By: Jalal Farooq PE # 81223 Created by Independent Third Party: Yes <b>Evaluation Reports</b> EL46578_R0_AE_SS - Grandeur 2023 SH (LMI) - PAE 2023.pdf Created by Independent Third Party: Yes
46578.2	Grandeur Series 2023 Aluminum Single Hung Window	Non-impact resistant aluminum single hung window.  <b>Installation Instructions</b> EL46578_R0_II_SS - Grandeur 2023 SH (NI) - DWG 23-63F 2023.pdf Verified By: Jalal Farooq PE # 81223 Created by Independent Third Party: Yes <b>Evaluation Reports</b> EL46578_R0_AE_SS - Grandeur 2023 SH (NI) - PAE 2023.pdf Created by Independent Third Party: Yes

[Back](#)

[Next](#)

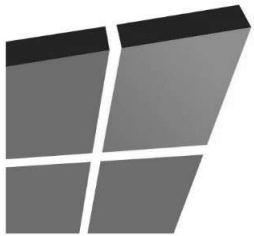
Contact Us :: 2601 Blair Stone Road, Tallahassee FL 32399 Phone: 850-487-1824

The State of Florida is an AA/EEO employer. Copyright 2007-2013 State of Florida. :: [Privacy Statement](#) :: [Accessibility Statement](#) :: [Refund Statement](#)

Under Florida law, email addresses are public records. If you do not want your e-mail address released in response to a public-records request, do not send electronic mail to this entity. Instead, contact the office by phone or by traditional mail. If you have any questions, please contact 850.487.1395. \*Pursuant to Section 455.275(1), Florida Statutes, effective October 1, 2012, licenses licensed under Chapter 455, F.S., must provide the Department with an email address if they have one. The emails provided may be used for official communication with the licensee. However email addresses are public record. If you do not wish to supply a personal address, please provide the Department with an email address which can be made available to the public. To determine if you are a licensee under Chapter 455, F.S., please click [here](#).

**Product Approval Accepts:**





# AL-FAROOQ CORPORATION

CONSULTING ENGINEERS & PRODUCT DEVELOPMENT

**PRODUCT APPROVAL EVALUATION**  
**RULE CHAPTER #61G20-3 • METHOD 1 OPTION D**

FL 46578  
 Date: 2/28/2024

**Detailed Product Description:**  
 Manufacturer: SUNSHINE WINDOWS MANUFACTURING INC.  
 Manufacturer Address: 1785 W 33 PLACE, HIALEAH, FL 33012  
 Model Name: GRANDEUR SERIES 2003 ALUMINUM SINGLE HUNG WINDOW  
 Maximum Load: +90, -90 PSF (Large Missile Impact)  
 Installation Drawings # 23-61F

This product complies with the High Velocity Hurricane Zone (HVHZ) testing requirements.  
 For maximum sizes, combination of span vs loads and anchor type refer to installation drawings.

Comparative analysis used  X  Yes  No

Mandatory Tests (Tested in accordance with AAMA 101/I.S.2/NAF5/TAS-202)					
Test	Description	Test Location	Test Report Date	Test Report #	Test Sealed By
ASTM E283	Air Infiltration Leakage	QAI Laboratories	8/21/2023	QAI-13651	Idalmis Ortega, P.E.
ASTM E331 OR ASTM E547 & TAS 202	Water Penetration	QAI Laboratories	8/21/2023	QAI-13651	Idalmis Ortega, P.E.
ASTM E330 & TAS 202	Uniform Static Air Press.	QAI Laboratories	8/4/2022	QAI-12810	Idalmis Ortega, P.E.
			8/21/2023	QAI-13651	Idalmis Ortega, P.E.
ASTM F588	Forced Entry Test	QAI Laboratories	8/21/2023	QAI-13651	Idalmis Ortega, P.E.

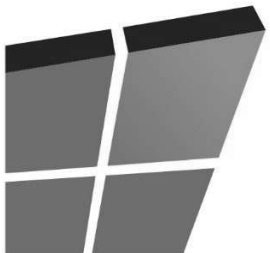
**Supplemental Tests (Tested in accordance with TAS-201 and TAS-203)**

Test	Description	Test Location	Test Report Date	Test Report#	Test Sealed By
FBC 1626.2 (TAS 201 & 203)	Large Missile Impact & Cyclic	QAI Laboratories	8/4/2022	QAI-12810	Idalmis Ortega, P.E.
			8/21/2023	QAI-13651	Idalmis Ortega, P.E.

Under the limitations of the attached installation drawings, to the best of my knowledge and ability, the above product conforms to the requirements of the 2023 Florida Building Code.

**Evaluation Report Engineer:**

Jalal Farooq Al-Farooq Corporation	PE # 81223 EB # 3538		Sealed: 2/29/2024



**AL-FAROOQ CORPORATION**  
CONSULTING ENGINEERS & PRODUCT DEVELOPMENT

January 23, 2023

Product Approval Administrator  
Building Codes & Standards Section  
Department of Business & Professional Regulations  
1940 North Monroe Street, Suite 90  
Tallahassee, FL 32399-2100

To whom it may concern,

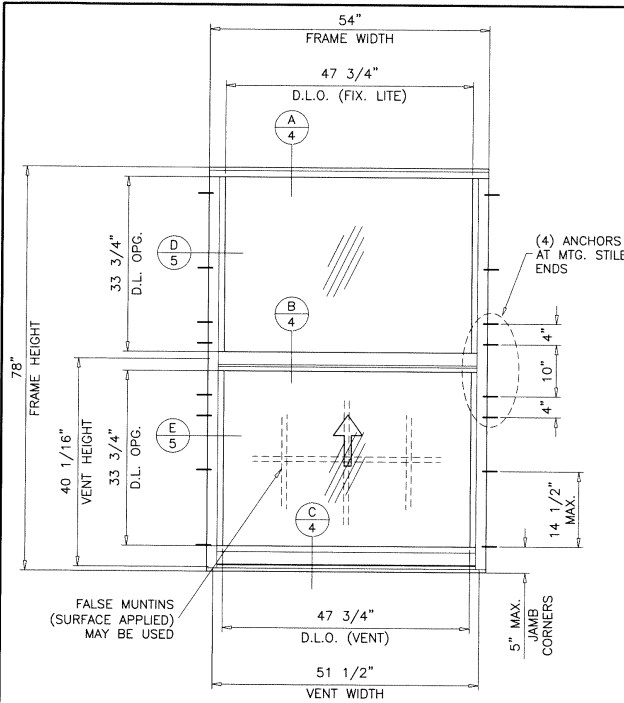
As the design engineer retained to prepare the product approval(s) associated with this letter as shown below on this same web page, I do hereby declare that I do not have and will not have any financial interest in any company manufacturing or distributing the referenced product(s), nor do I have or will have any financial interest with any other entity involved in the approval process of the referenced product(s).

Sincerely,

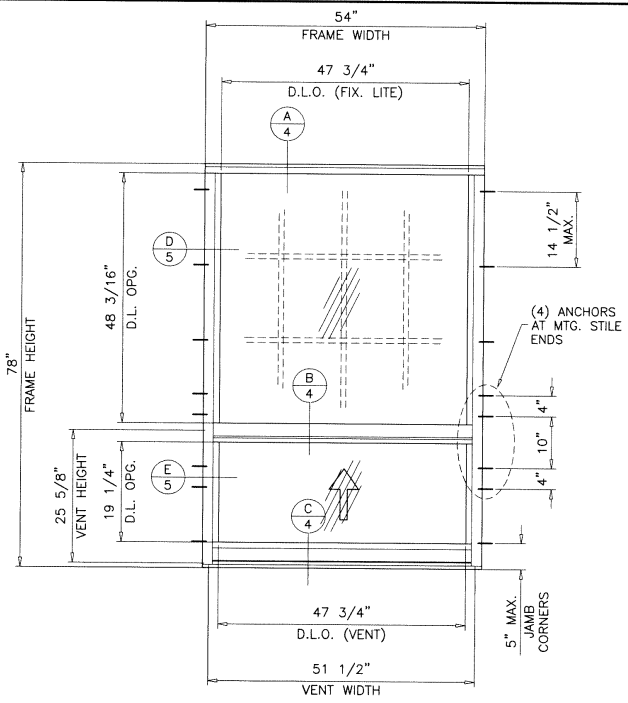


Jalal Farooq, P.E.  
CFO

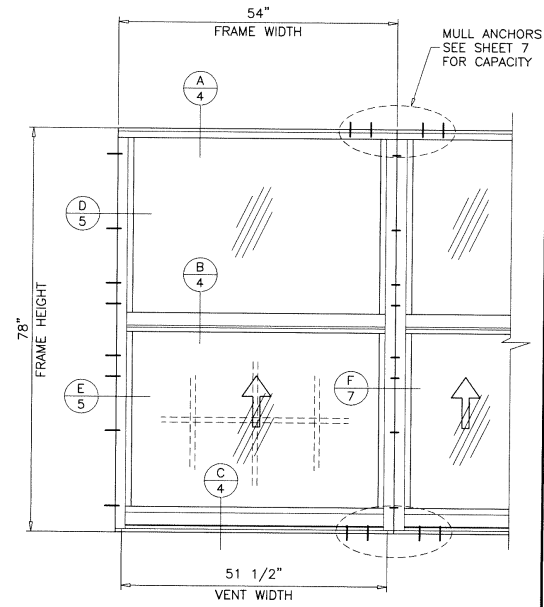
Sealed: 1/23/2023



**TYPICAL ELEVATION**  
(EQUAL LITES WDW.)  
(TESTED UNIT)



**TYPICAL ELEVATION**  
(UNEQUAL LITES WDW.)



**MULLIONED WDW. OPTION**  
(SEE SHEET 7 FOR DETAILS)

**GRANDEUR SERIES-2023**  
**ALUMINUM SINGLE HUNG WINDOW**

DESIGN LOAD RATINGS FOR THESE WINDOWS TO BE AS PER CHARTS SHOWN ON SHEET 3.

APPROVAL APPLIES TO SINGLE UNITS OR SIDE BY SIDE COMBINATIONS OF S.H./S.H. OR SINGLE HUNG WITH OTHER WINDOW TYPES IN MODULES OF TWO OR MORE WINDOWS USING F.B.C. APPROVED MULLIONS IN BETWEEN.

FOR COMBINATIONS OF S.H./S.H. WINDOWS IN MODULES OF TWO OR MORE WDW. USING SUNSHINE CUSTOM MULLION IN BETWEEN SEE CHART ON SHEET 6.

LOWER DESIGN PRESSURE FROM WINDOWS OR MULLION APPROVAL WILL APPLY TO ENTIRE SYSTEM.

THIS PRODUCT HAS BEEN DESIGNED AND TESTED TO COMPLY WITH THE REQUIREMENTS OF THE 2023 (8TH EDITION) FLORIDA BUILDING CODE INCLUDING HIGH VELOCITY HURRICANE ZONE (HVHZ).

1BY OR 2BY WOOD BUCKS & BUCK FASTENERS BY OTHERS, MUST BE DESIGNED AND INSTALLED ADEQUATELY TO TRANSFER APPLIED PRODUCT LOADS TO THE BUILDING STRUCTURE.

ANCHORS SHALL BE CORROSION RESISTANT, SPACED AS SHOWN ON DETAILS AND INSTALLED PER MANUF'S INSTRUCTIONS. SPECIFIED EMBEDMENT TO BASE MATERIAL SHALL BE BEYOND WALL DRESSING OR STUCCO.

A LOAD DURATION INCREASE IS USED IN DESIGN OF ANCHORS INTO WOOD ONLY.

ALL SHIMS TO BE HIGH IMPACT, NON-METALLIC AND NON-COMPRESSIBLE.

MATERIALS INCLUDING BUT NOT LIMITED TO STEEL/METAL SCREWS, THAT COME INTO CONTACT WITH OTHER DISSIMILAR MATERIALS SHALL MEET THE REQUIREMENTS OF THE 2023 FLORIDA BLDG. CODE & ADOPTED STANDARDS.

THIS PRODUCT APPROVAL IS GENERIC AND DOES NOT PROVIDE INFORMATION FOR A SITE SPECIFIC PROJECT, I.E. LIFE SAFETY OF THIS PRODUCT, ADEQUACY OF STRUCTURE RECEIVING THIS PRODUCT AND SEALING AROUND OPENING FOR WATER INFILTRATION RESISTANCE ETC.

CONDITIONS NOT SHOWN IN THIS DRAWING ARE TO BE ANALYZED SEPARATELY, AND TO BE REVIEWED BY BUILDING OFFICIAL.

DESIGN LOADS SHOWN ARE BASED ON 'ALLOWABLE STRESS DESIGN (ASD)'.

MANUFACTURER'S LABEL SHALL BE LOCATED ON A READILY VISIBLE LOCATION IN ACCORDANCE WITH SECTION 1709.9.3 OF FLORIDA BUILDING CODE. LABELING TO COMPLY WITH SECTION 1709.9.2.

THESE WINDOWS ARE RATED FOR LARGE & SMALL MISSILE IMPACT. SHUTTERS ARE NOT REQUIRED.

Sealed: 2/29/2024

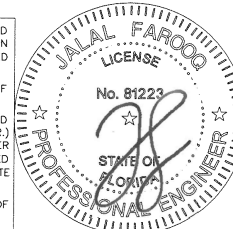
FL #46578

A- CONTRACTOR TO BE RESPONSIBLE FOR THE SELECTION, PURCHASE AND INSTALLATION OF THIS PRODUCT BASED ON THIS PRODUCT EVALUATION PROVIDED HE/SHE DOES NOT DEVIATE FROM THE CONDITIONS DETAILED ON THIS DOCUMENT.

B- THIS PRODUCT EVALUATION DOCUMENT WILL BE CONSIDERED INVALID IF ALTERED BY ANY MEANS.

C- SITE SPECIFIC PROJECTS SHALL BE PREPARED BY A FLORIDA REGISTERED ENGINEER OR ARCHITECT WHICH WILL BECOME THE ENGINEER OF RECORD (E.O.R.) FOR THE PROJECT AND WHO WILL BE RESPONSIBLE FOR THE PROPER USE OF THE P.E.D. ENGINEER OF RECORD, ACTING AS A DELEGATED ENGINEER TO THE P.E.D. ENGINEER SHALL SUBMIT TO THIS LATTER THE SITE SPECIFIC DRAWINGS FOR REVIEW.

D- THIS P.E.D. SHALL BEAR THE DATE AND ORIGINAL SEAL AND SIGNATURE OF THE PROFESSIONAL ENGINEER OF RECORD THAT PREPARED IT.



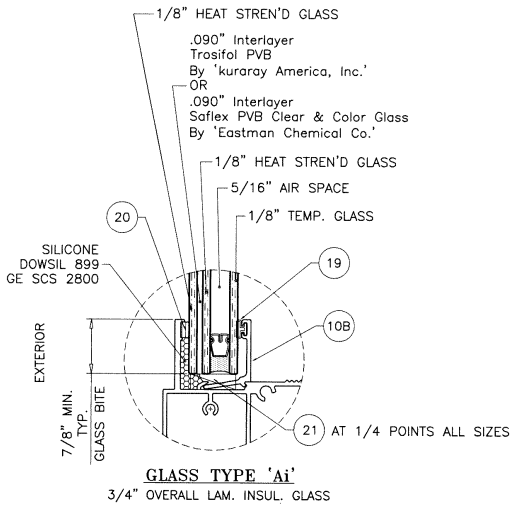
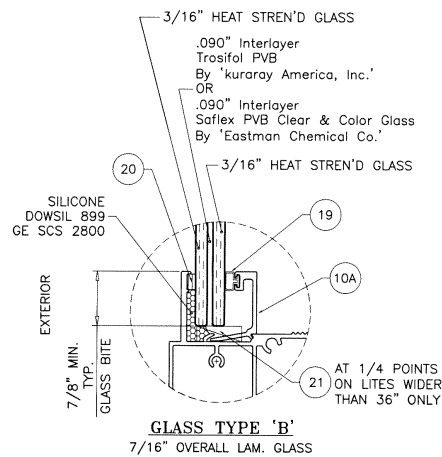
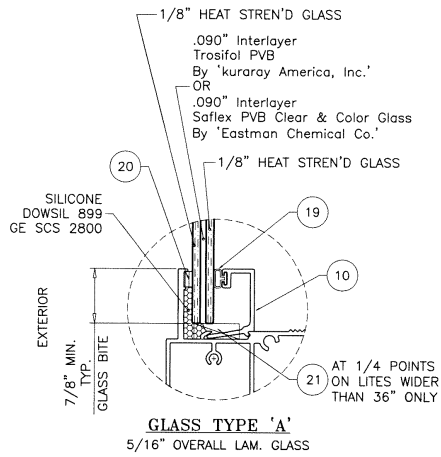
**af c**  
**AL-FAROOQ CORPORATION**  
ENGINEERS & PRODUCT DEVELOPMENT  
9360 SUNSET DRIVE, SUITE 220  
MIAMI, FLORIDA 33173  
TEL. (305) 264-8100 FAX. (305) 262-6978  
C.I.A.N. 353B

GRANDEUR SERIES-2023 ALUM S.H. WDW. (L.M.I.)

**Sunshine Windows Manufacturing, Inc.**  
1785 West 33rd Place  
Hialeah, FL 33012  
Tel. (305) 364-9952 Fax. (305) 828-5118

revisions:	no	date	description
12-15-23			
scale:	1/2"=1'-0"		
dr. by:	TARIQ		
chk. by:			
drawing no.	23-61F		
sheet	1 of 9		

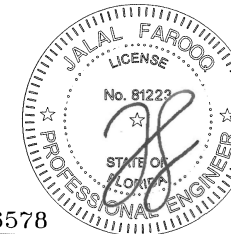
COMP-ANL\23-61F-SWM



5/16" AIR SPACE CONSISTING OF:  
 SPACER:  
 'HELIMA' LOW PROFILE ALUMINUM SPACER  
 BY 'LINGERMANN GMBH'  
 AROUND THE PERIMETER OF THE GLASS.  
PERIMETER SEALANT:  
 SILICONE  
 DOWSIL 791  
 GE 2000

Sealed: 2/29/2024

FL #46578



**a f c**

**AL-FAROOQ CORPORATION**  
 ENGINEERS & PRODUCT DEVELOPMENT  
 9360 SUNSET DRIVE, SUITE 220  
 MIAMI, FLORIDA 33173 (C-4-N-3538)  
 TEL. (305) 264-8100 FAX. (305) 262-6978  
 COMP-ANL23-61F-SWM

---

GRANDEUR SERIES-2023 ALUM. S.H. WDW. (L.M.I.)  
**Sunshine Windows Manufacturing, Inc.**  
 1785 West 33rd Place  
 Hialeah, FL. 33012  
 Tel. (305) 364-9952 Fax. (305) 828-5118

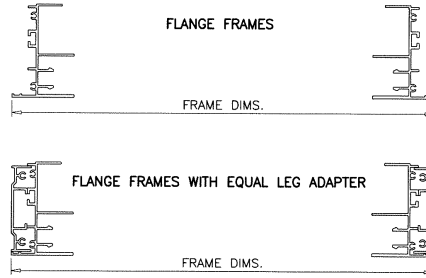
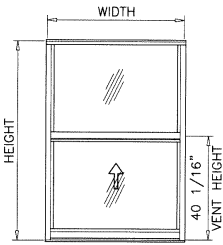
revisions:	
no.	date by description

date: 12-15-23  
 scale: 1/2" = 1"  
 dr. by: FAROQ  
 chk. by:

drawing no.  
**23-61F**  
 sheet 2 of 9

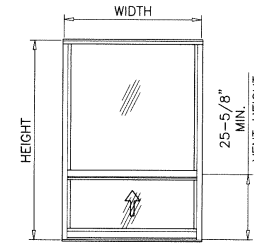
EQUAL LITES WINDOWS DESIGN LOAD CAPACITY - PSF			
FRAME DIMS.		GLASS TYPES 'A', 'Ai' & 'B'	
WIDTH	HEIGHT	EXT.(+)	INT.(-)
19-1/8"	26"	90.0	90.0
26-1/2"		90.0	90.0
37"		90.0	90.0
53-1/8"	38-3/8"	90.0	90.0
19-1/8"		90.0	90.0
26-1/2"		90.0	90.0
37"	50-5/8"	90.0	90.0
53-1/8"		90.0	90.0
19-1/8"		90.0	90.0
26-1/2"	56"	90.0	90.0
37"		90.0	90.0
53-1/8"		90.0	90.0
19-1/8"	63"	90.0	90.0
26-1/2"		90.0	90.0
37"		90.0	90.0
53-1/8"	74-1/4"	90.0	90.0
19-1/8"		90.0	90.0
26-1/2"		90.0	90.0
37"	78"	90.0	90.0
53-1/8"		90.0	90.0
19-1/8"		90.0	90.0
26-1/2"	84"	90.0	90.0
37"		90.0	90.0
53-1/8"		90.0	90.0
19-1/8"	96"	90.0	90.0
26-1/2"		90.0	90.0
37"		90.0	90.0
53-1/8"	96"	90.0	90.0
19-1/8"		90.0	90.0
26-1/2"		90.0	90.0
37"	96"	90.0	90.0
53-1/8"		90.0	90.0
19-1/8"		90.0	90.0
26-1/2"	96"	90.0	90.0
37"		90.0	90.0
53-1/8"		90.0	90.0

EQUAL LITES WINDOWS DESIGN LOAD CAPACITY - PSF			
FRAME DIMS.		GLASS TYPES 'A', 'Ai' & 'B'	
WIDTH	HEIGHT	EXT.(+)	INT.(-)
24"	48"	90.0	90.0
30"		90.0	90.0
32"		90.0	90.0
36"		90.0	90.0
42"		90.0	90.0
48"	60"	90.0	90.0
54"		90.0	90.0
24"		90.0	90.0
30"		90.0	90.0
32"		90.0	90.0
36"	72"	90.0	90.0
42"		90.0	90.0
48"		90.0	90.0
54"		90.0	90.0
24"		90.0	90.0
30"	78"	90.0	90.0
32"		90.0	90.0
36"		90.0	90.0
42"		90.0	90.0
48"		90.0	90.0
54"	84"	90.0	90.0
24"		90.0	90.0
30"		90.0	90.0
32"		90.0	90.0
36"		90.0	90.0
42"	96"	90.0	90.0
48"		90.0	90.0
54"		90.0	90.0
24"		90.0	90.0
30"		90.0	90.0
32"	96"	90.0	90.0
36"		90.0	90.0
42"		90.0	90.0



UNEQUAL LITES (ORIEL TYPE) WINDOWS DESIGN LOAD CAPACITY - PSF			
FRAME DIMS.		GLASS TYPES 'A', 'Ai' & 'B'	
WIDTH	HEIGHT	EXT.(+)	INT.(-)
19-1/8"	56"	90.0	90.0
26-1/2"		90.0	90.0
37"		90.0	90.0
53-1/8"	63"	90.0	90.0
19-1/8"		90.0	90.0
26-1/2"		90.0	90.0
37"	74-1/4"	90.0	90.0
53-1/8"		90.0	90.0
19-1/8"		90.0	90.0
26-1/2"	74-1/4"	90.0	90.0
37"		90.0	90.0

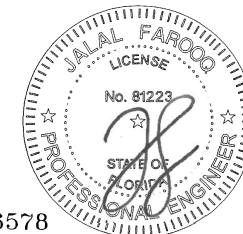
UNEQUAL LITES (ORIEL TYPE) WINDOWS DESIGN LOAD CAPACITY - PSF			
FRAME DIMS.		GLASS TYPES 'A', 'Ai' & 'B'	
WIDTH	HEIGHT	EXT.(+)	INT.(-)
24"	60"	90.0	90.0
30"		90.0	90.0
32"		90.0	90.0
36"		90.0	90.0
42"		90.0	90.0
48"	72"	90.0	90.0
54"		90.0	90.0
24"		90.0	90.0
30"		90.0	90.0
32"		90.0	90.0
36"	78"	90.0	90.0
42"		90.0	90.0
24"		90.0	90.0
30"		90.0	90.0
32"		90.0	90.0
36"	84"	90.0	90.0
42"		90.0	90.0
24"		90.0	90.0
30"		90.0	90.0
32"		90.0	90.0
36"	96"	90.0	90.0
24"		90.0	90.0
30"		90.0	90.0



NOTE:  
GLASS CAPACITIES ON THIS SHEET ARE  
BASED ON ASTM E1300-09 (3 SEC. GUSTS)  
AND FLORIDA BUILDING COMMISSION  
DECLARATORY STATEMENT DCA05-DEC-219

Sealed: 2/29/2024

FL #46578



**af c**

**AL-FAROOQ CORPORATION**  
ENGINEERS & PRODUCT DEVELOPMENT  
9360 SUNSET DRIVE, SUITE 220  
MIAMI, FLORIDA 33173 (C.A.N. 9598)  
TEL. (305) 262-8978 FAX. (305) 262-8978  
COMP-ANL\23-61F-SWM

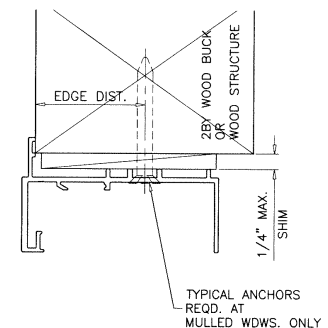
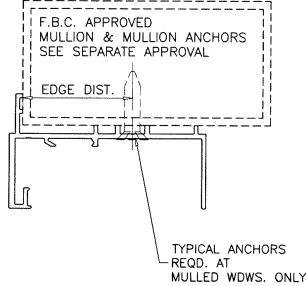
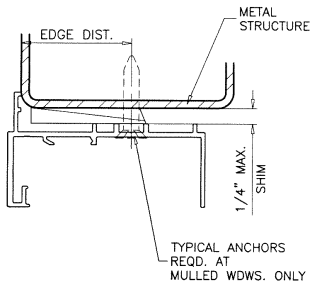
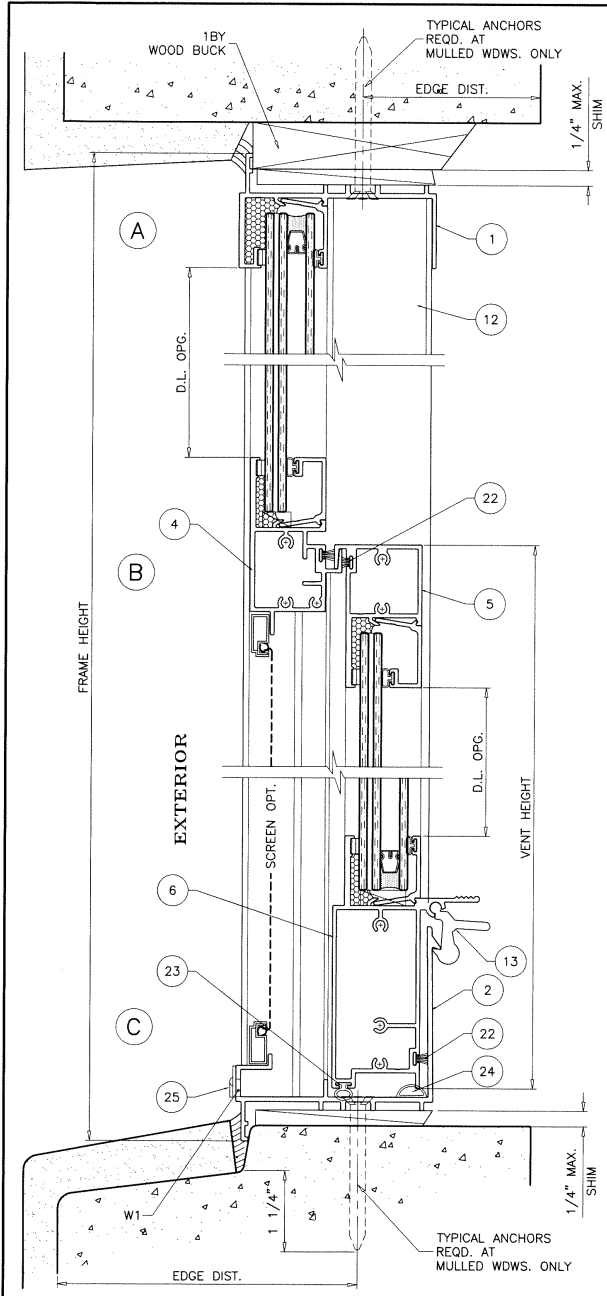
GRANDEUR SERIES-2023 ALUM. S.H. WDW. (L.M.I.)  
**Sunshine Windows Manufacturing, Inc.**  
1785 West 33rd Place  
Hialeah, FL. 33012  
Tel. (305) 364-9952 Fax. (305) 828-5118

revisions:	no.	date	by	description

date: 12-15-23  
scale: 1/2" = 1"  
dr. by: TABIO  
chk. by:

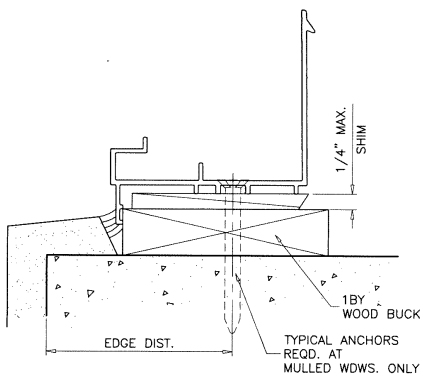
drawing no.  
**23-61F**

sheet 3 of 9



WOOD BUCKS AND METAL STRUCTURE NOT BY 'SUNSHINE WDWS.' MUST SUSTAIN LOADS IMPOSED BY GLAZING SYSTEM AND TRANSFER THEM TO THE BUILDING STRUCTURE.

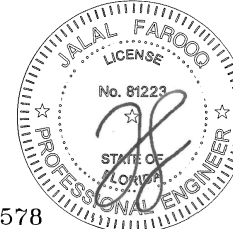
**WEEPHOLES:**  
 W1 = 1/4" X 1-1/2" LONG WEEP NOTCH AT 6" FROM EACH END WITH PLASTIC BAFFLE.



**TYPICAL ANCHORS:** SEE ELEV. FOR SPACING  
**1/4" DIA. ULTRACON+ BY 'DEWALT'** (Fu=164 KSI, Fy=148 KSI)  
 INTO 2BY WOOD BUCKS OR WOOD STRUCTURES  
 1-1/2" MIN. PENETRATION INTO WOOD (HEAD/SILL/JAMBS)  
 THRU 1BY BUCKS INTO CONC. OR BLOCKS  
 1-1/4" MIN. EMBED INTO CONCRETE (HEAD/SILL/JAMBS)  
 1-1/4" MIN. EMBED INTO BLOCKS (JAMBS)  
 DIRECTLY INTO CONCRETE OR BLOCKS  
 1-1/4" MIN. EMBED INTO CONCRETE (HEAD/SILL/JAMBS)  
 1-1/4" MIN. EMBED INTO BLOCKS (JAMBS)  
**1/4" DIA. TEKS OR SELF DRILLING SCREWS** (GRADE 5 CRS)  
 INTO F.B.C. APPROVED MULLIONS  
 OR  
 INTO METAL STRUCTURES (HEAD/SILL/JAMBS)  
 (3) THREADS MIN. TO EXTEND BEYOND METAL THICKNESS  
 ALUMINUM: 1/8" THK. MIN. (6063-T5 MIN.)  
 STEEL: 1/8" THK. MIN. (Fy = 36 KSI MIN.)  
 (STEEL IN CONTACT WITH ALUMINUM TO BE PLATED OR PAINTED)

**TYPICAL EDGE DISTANCE**  
 INTO CONCRETE AND BLOCKS = 2-1/2" MIN.  
 INTO WOOD STRUCTURE = 1" MIN.  
 INTO METAL STRUCTURE = 3/4" MIN.  
 WOOD AT HEAD, SILL OR JAMBS SG = 0.55 MIN.  
 CONCRETE AT HEAD, SILL OR JAMBS f'c = 3000 PSI MIN.  
 C-90 HOLLOW/FILLED BLOCK AT JAMBS f'm = 2000 PSI MIN.

Sealed: 2/29/2024



FL #46578

**af c**

**AL-FAROOQ CORPORATION**  
 ENGINEERS & PRODUCT DEVELOPMENT  
 9360 SUNSET DRIVE, SUITE 220 (C.A.N. 3558)  
 MIAMI, FLORIDA 33173  
 TEL. (305) 264-8100 FAX. (305) 262-6978  
 COMP-ANL 23-61F-SWV

GRANDEUR SERIES-2023 ALUM S.H. WDW. (L.M.I.)  
**Sunshine Windows Manufacturing, Inc.**  
 1785 West 33rd Place  
 Hialeah, FL 33012  
 Tel. (305) 364-9952 Fax. (305) 828-5118

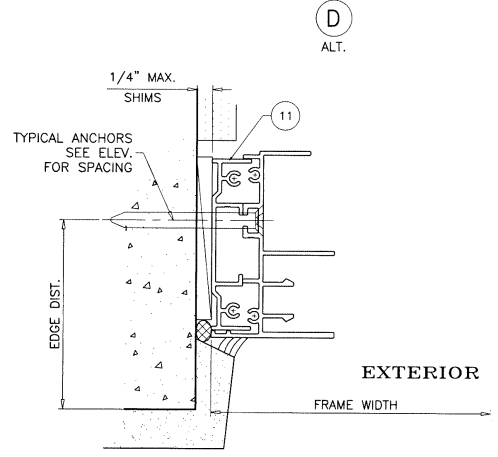
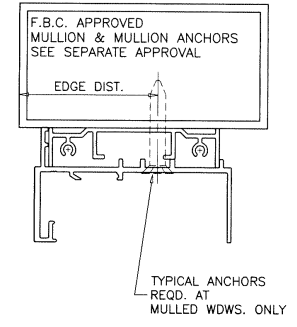
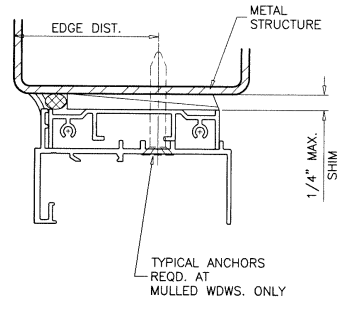
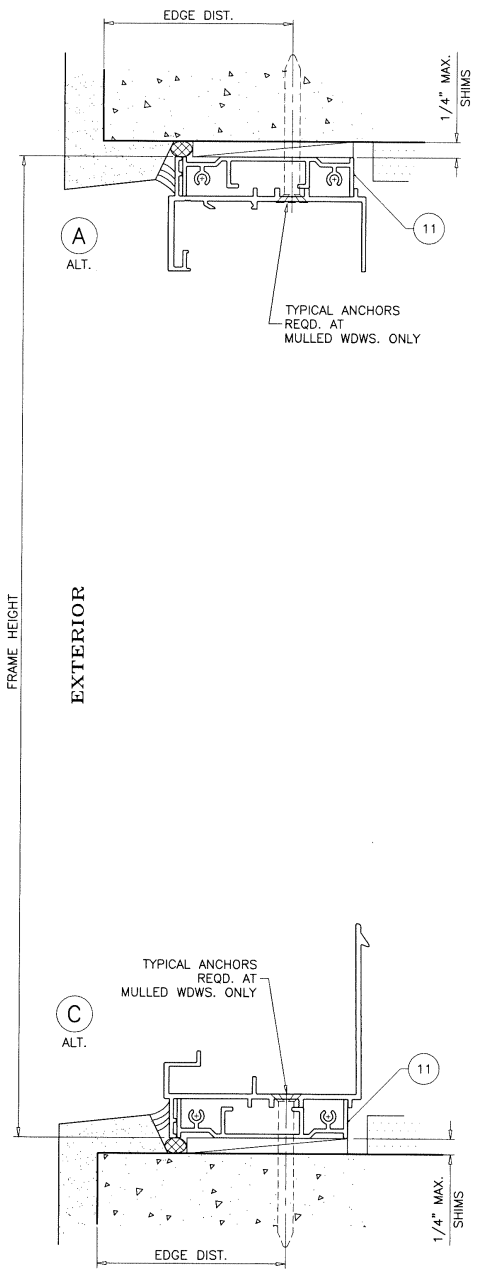
revisions:	(no)	date	by	description

date: 12-15-23  
 scale: 1/2" = 1"  
 dr. by: TARIQ  
 chk. by:

drawing no.  
**23-61F**

sheet 4 of 9





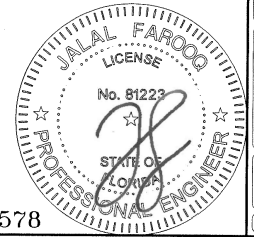
EXTERIOR

EXTERIOR

**FLANGE FRAMES WITH EQUAL LEG ADAPTERS**  
SEE SHEETS 4 & 5 FOR WINDOW DETAILS

Sealed: 2/29/2024

FL #46578



**afc**

**AL-FAROOQ CORPORATION**  
ENGINEERS & PRODUCT DEVELOPMENT  
9360 SUNSET DRIVE, SUITE 220  
MIAMI, FLORIDA 33173 (C.A.N. 3538)  
TEL. (305) 264-8400 FAX. (305) 262-6978  
COMP - ANL \23-61F-SWM

---

GRANDEUR SERIES-2023 ALUM. S.H. WDW. (L.M.I.)  
**Sunshine Windows Manufacturing, Inc.**  
1785 West 33rd Place  
Hialeah, FL 33012  
Tel. (305) 364-9952 Fax. (305) 828-5118

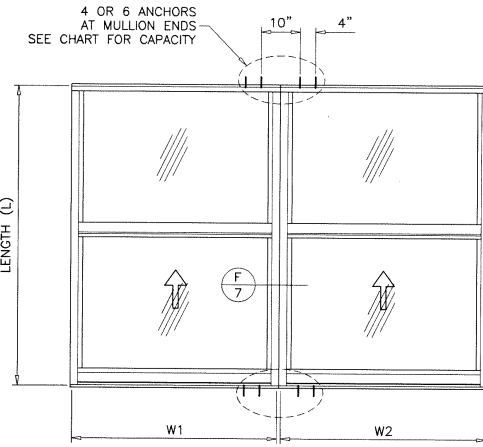
no.	date	description

date: 12-15-23  
scale: 1/2" = 1"  
dr. by: JAR/Q  
chk. by:

drawing no.  
**23-61F**  
sheet 6 of 9

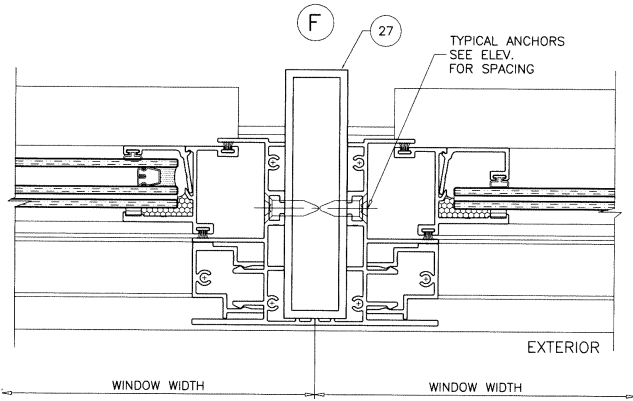
MULLION LOAD CAPACITY - PSF			
FRAME DIMS.		4 ANCHORS	6 ANCHORS
WIDTH (W)	LENGTH (L)	EXT.(+) INT.(-)	EXT.(+) INT.(-)
19-1/8"	26"	90.0	90.0
26-1/2"		90.0	90.0
37"		90.0	90.0
53-1/8"	38-3/8"	90.0	90.0
19-1/8"		90.0	90.0
26-1/2"		90.0	90.0
37"	50-5/8"	90.0	90.0
53-1/8"		90.0	90.0
19-1/8"		90.0	90.0
26-1/2"	63"	90.0	90.0
37"		90.0	90.0
53-1/8"		90.0	90.0
19-1/8"	74-1/4"	90.0	90.0
26-1/2"		90.0	90.0
37"		90.0	90.0
53-1/8"		76.3	90.0

MULLION LOAD CAPACITY - PSF			
FRAME DIMS.		4 ANCHORS	6 ANCHORS
WIDTH (W)	LENGTH (L)	EXT.(+) INT.(-)	EXT.(+) INT.(-)
24"	48"	90.0	90.0
30"		90.0	90.0
32"		90.0	90.0
36"		90.0	90.0
42"		90.0	90.0
48"		90.0	90.0
54"	60"	90.0	90.0
24"		90.0	90.0
30"		90.0	90.0
32"		90.0	90.0
36"		90.0	90.0
42"		90.0	90.0
48"	72"	90.0	90.0
54"		90.0	90.0
24"		90.0	90.0
30"		90.0	90.0
32"		90.0	90.0
36"		90.0	90.0
42"	78"	90.0	90.0
48"		89.4	90.0
54"		79.3	90.0
24"		90.0	90.0
30"		90.0	90.0
32"		90.0	90.0
36"	78"	90.0	90.0
42"		90.0	90.0
48"		82.4	90.0
54"		73.1	90.0

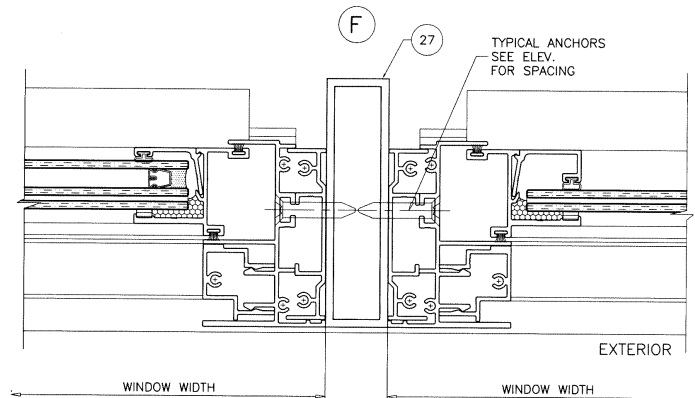


TYPICAL ELEVATIONS  
SIDE BY SIDE WINDOWS  
SIDE BY SIDE APPLIES TO TWO OR MORE WINDOWS

$$\text{WIDTH (W)} = \frac{W1 + W2}{2}$$



S.H. TO S.H.

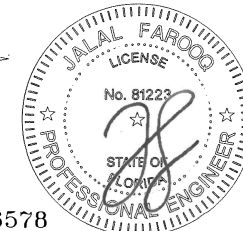


S.H. TO S.H.

NOTES:

1. USE CHART ON THIS SHEET FOR SIDE BY SIDE CONNECTION CAPACITY OF WINDOW MULLION.
2. FOR SINGLE HUNG WINDOW CAPACITY SEE SHEET 3.
3. LOWER VALUES FROM STEPS 1 OR 2 WILL APPLY TO ENTIRE SYSTEM.

Sealed: 2/29/2024



FL #46578



**AL-FAROOQ CORPORATION**  
ENGINEERS & PRODUCT DEVELOPMENT  
9360 SUNSET DRIVE, SUITE 220  
MIAMI, FLORIDA 33173  
TEL. (305) 264-8100 FAX. (305) 262-6978  
COMP - ANL 23-61F - SWM

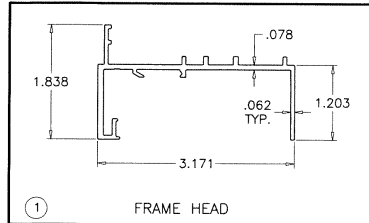
GRANDEUR SERIES-2023 ALUM S.H. WDW. (L.M.I.)  
**Sunshine Windows Manufacturing, Inc.**  
1785 West 33rd Place  
Hialeah, FL. 33012  
Tel. (305) 364-9952 Fax. (305) 828-5118

no.	date	description

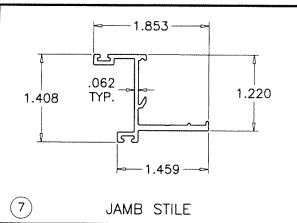
date: 12-15-23  
scale: 1/2" = 1"  
dr. by: FAROQ  
chk. by:

drawing no.  
**23-61F**

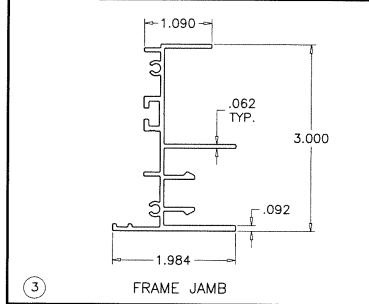
sheet 7 of 9



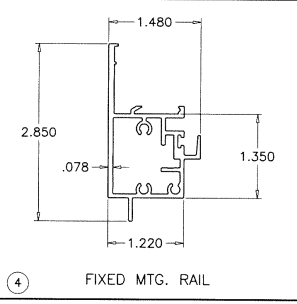
① FRAME HEAD



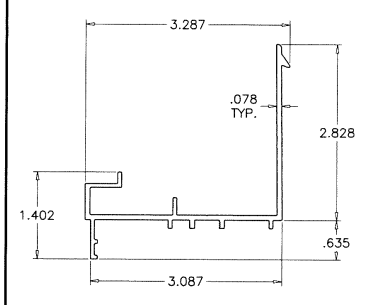
⑦ JAMB STILE



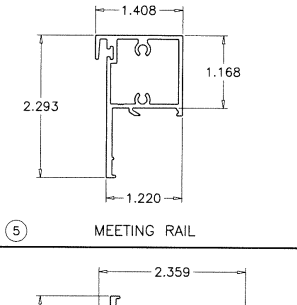
③ FRAME JAMB



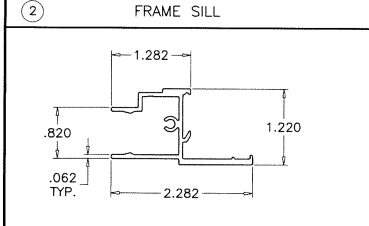
④ FIXED MTG. RAIL



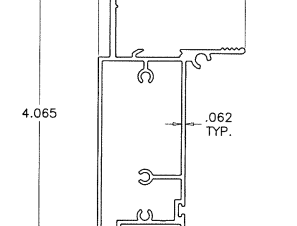
② FRAME SILL



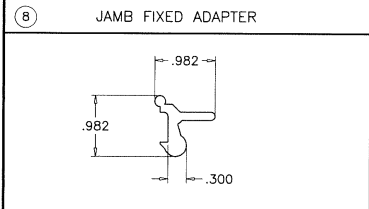
⑤ MEETING RAIL



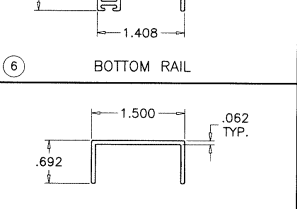
⑧ JAMB FIXED ADAPTER



⑥ BOTTOM RAIL

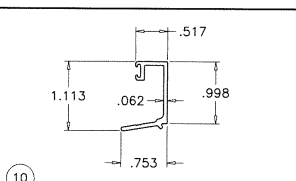


⑬ VENT LATCH

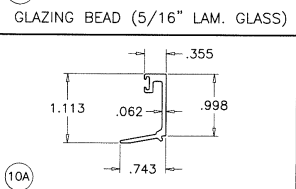


⑫ VENT STOP

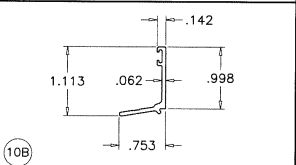
ITEM	PART #	QUANTITY	DESCRIPTION	MATERIAL	MANF./SUPPLIER/REMARKS
1	59686	1	FRAME HEAD	6063-T6	-
2	59689	1	FRAME SILL	6063-T6	-
3	59690	2	FRAME JAMB	6063-T6	-
4	59687	1	FIXED MTG. RAIL	6063-T6	-
5	59688	1	VENT TOP RAIL	6063-T6	-
6	59696	1	VENT BOTTOM RAIL	6063-T6	-
7	59693	2	JAMB STILE	6063-T6	-
8	59691	2	JAMB FIXED ADAPTER	6063-T6	-
9	59692	2	JAMB SCREEN ADAPTER	6063-T6	-
10	59694	AS REQD.	GLAZING BEAD (5/16" LAM. GLASS)	6063-T6	-
10A	59672	AS REQD.	GLAZING BEAD (7/16" LAM. GLASS)	6063-T6	-
10B	59695	AS REQD.	GLAZING BEAD (INSUL. LAM. GLASS)	6063-T6	-
11	59697	AS REQD.	EQUAL LEG ADAPTER	6063-T6	-
12	59698	2	VENT STOP	6063-T6	-
13	LL-900	2/	VENT LATCH WITH S/S SPRING, AT 8" FROM EACH END	NYLON	-
14	30-HD-NBA	2/	SPIRAL BALANCE	STEEL/PLASTIC	-
15	N-60-62	2/	BALANCE HOOK	STEEL	-
16	-	2/	BALANCE GUIDE	VINYL	-
17	WLDNH-008	1/	BALANCE WELD NUT	STEEL	-
18	#8 X 1"	AS REQD.	FRAME/VENT ASSEMBLY SCREWS	CRS	PH SMS
19	MPI P/N 83010	AS REQD.	GLAZING BEAD BULB	VINYL	MELTPOINT
20	Z 754	AS REQD.	1/4" X 1/4" DOUBLE FACE GLAZING TAPE	PE FOAM	ZIALOC
21	-	AS REQD.	SETTING BLOCKS AT 1/4 POINTS	EPDM	DUROMETER 80±5 SHORE A
22	W33191NK000B	AS REQD.	FIN SEAL W'STRIPPING	POLYPROPYLENE	ULTRAFAB
23	MPI P/N 83002	AS REQD.	BULB SEAL W'STRIPPING	SANTOPRENE	MELTPOINT, DUROMETER 65±5
24	X 109HT-100	AS REQD.	D-SHAPE FOAM RUBBER SEAL	EPDM	-
25	ATP-054	2/	SILL WEEP HOLE COVER	PLASTIC	-
26	-	1/	VENT 5/16" BOX SCREEN	-	OPTIONAL
27	-	AS REQD.	1 X 4 X 1/8" ALUM TUBE MULLION	6063-T6	-



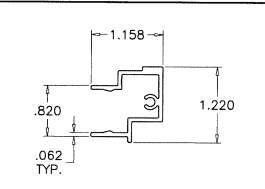
⑩ GLAZING BEAD (5/16" LAM. GLASS)



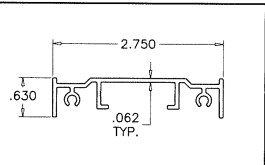
⑩A GLAZING BEAD (7/16" LAM. GLASS)



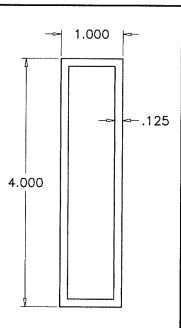
⑩B GLAZING BEAD (INSUL. LAM. GLASS)



⑨ JAMB SCREEN ADAPTER



⑪ EQUAL LEG ADAPTER

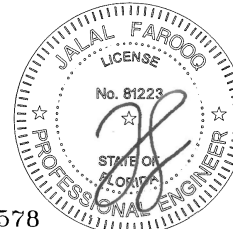


⑳ MULLION

**SEALANT:**

ALL JOINTS AND FRAME CONNECTIONS SEALED WITH SCHNEE MOREHEAD SM-5504 JOINT SEALER.

Sealed: 2/29/2024



FL #46578

**af c**

**AL-FAROOG CORPORATION**  
 ENGINEERS & PRODUCT DEVELOPMENT  
 9360 SUNSET DRIVE, SUITE 220 (C-4 N. 3598)  
 MIAMI, FLORIDA 33173  
 TEL. (305) 264-8400 FAX. (305) 262-6978

GRANDEUR SERIES-2023 ALUM S.H. WDW. (L.M.I.)  
**Sunshine Windows Manufacturing, Inc.**  
 1785 West 33rd Place  
 Hialeah, FL 33012  
 Tel. (305) 364-9992 Fax. (305) 828-5118

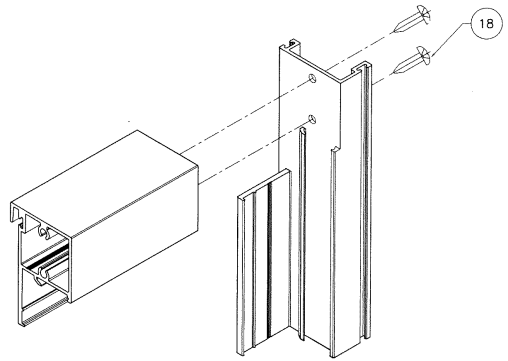
COMP-ANL\23-61F-SWM

revisions:  
 no. date by description

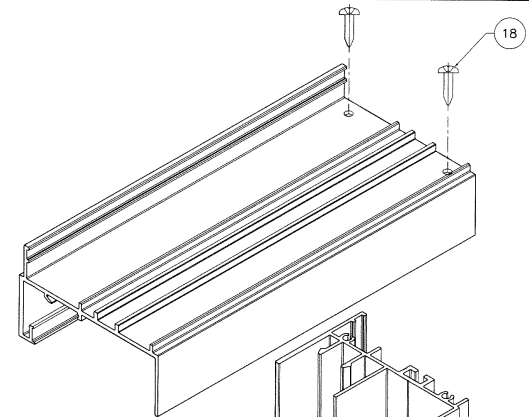
date: 12-15-23  
 scale: 1/2" = 1"  
 dr. by: FARO  
 chg. by:

drawing no.  
**23-61F**

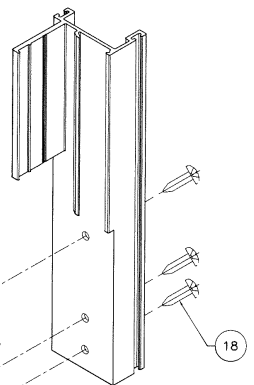
sheet 8 of 9



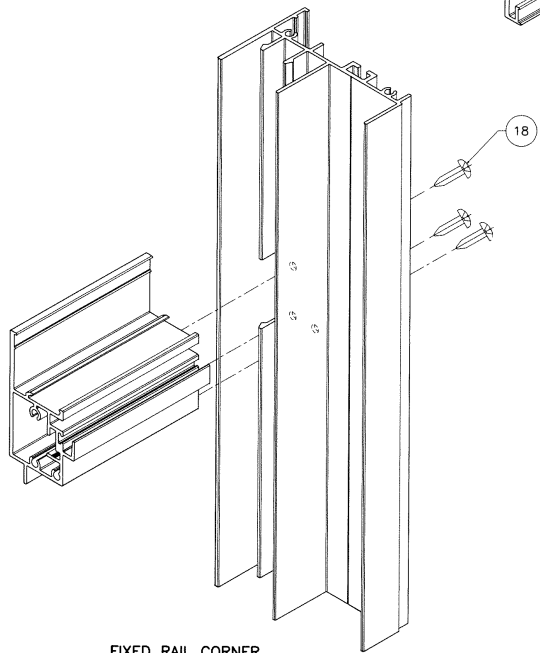
VENT TOP CORNER



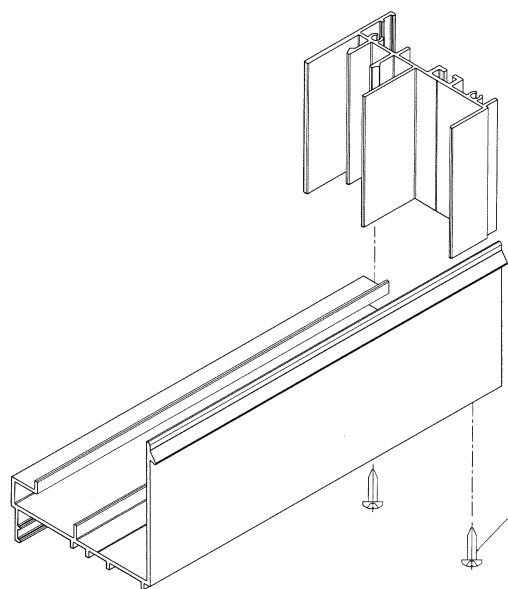
FRAME TOP CORNER



VENT BOTTOM CORNER

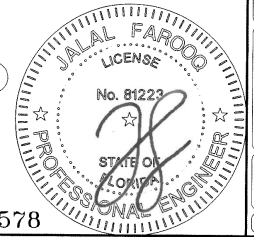


FIXED RAIL CORNER



FRAME BOTTOM CORNER

Sealed: 2/29/2024



FL #46578

**afc**

**AL-FAROOQ CORPORATION**  
 ENGINEERS & PRODUCT DEVELOPMENT  
 9360 SUNSET DRIVE, SUITE 220  
 MIAMI, FLORIDA 33173  
 TEL. (305) 264-8100 FAX. (305) 262-6978  
 COMP-ANL\23-61F-SWM

---

GRANDEUR SERIES-2023 ALUM. S.H. WDW. (L.M.I.)  
**Sunshine Windows Manufacturing, Inc.**  
 1785 West 33rd Place  
 Hialeah, FL. 33012  
 Tel. (305) 364-9952 Fax. (305) 828-5118

revisions:	no.	date	by	description

date: 12-15-23  
 scale: 1/2" = 1"  
 dr. by: FAROQ  
 chk. by:   

drawing no.  
**23-61F**

sheet 9 of 9