



Product Approval
USER: Public User

[Product Approval Menu](#) > **Application Detail**

OFFICE OF THE
SECRETARY

FL #	FL46843-R3								
Application Type	Revision								
Code Version	2023								
Application Status	Approved								
Comments									
Archived	<input type="checkbox"/>								
Product Manufacturer	Sunshine Windows Manufacturing Inc.								
Address/Phone/Email	1745 West 33rd Place Hialeah, FL 33012 (305) 364-9952 Ext 109 noel_m_2001@yahoo.com								
Authorized Signature	Jalal Farooq veronica@afceng.com								
Technical Representative									
Address/Phone/Email									
Quality Assurance Representative									
Address/Phone/Email									
Category	Windows								
Subcategory	Horizontal Slider								
Compliance Method	Evaluation Report from a Florida Registered Architect or a Licensed F Professional Engineer <input type="checkbox"/> Evaluation Report - Hardcopy Received								
Florida Engineer or Architect Name who developed the Evaluation Report	Jalal Farooq								
Florida License	PE-81223								
Quality Assurance Entity	Keystone Certifications, Inc.								
Quality Assurance Contract Expiration Date	02/28/2029								
Validated By	Abel Carrasco, PE <input checked="" type="checkbox"/> Validation Checklist - Hardcopy Received								
Certificate of Independence	FL46843_R3_COI_SS - Certificate of Independence 2023.pdf								
Referenced Standard and Year (of Standard)	<table border="0"> <thead> <tr> <th>Standard</th> <th>Year</th> </tr> </thead> <tbody> <tr> <td>TAS 201</td> <td>1994</td> </tr> <tr> <td>TAS 202</td> <td>1994</td> </tr> <tr> <td>TAS 203</td> <td>1994</td> </tr> </tbody> </table>	Standard	Year	TAS 201	1994	TAS 202	1994	TAS 203	1994
Standard	Year								
TAS 201	1994								
TAS 202	1994								
TAS 203	1994								
Equivalence of Product Standards Certified By									

Sections from the Code

Product Approval Method

Method 1 Option D

Date Submitted

08/13/2025

Date Validated

08/14/2025

Date Pending FBC Approval

08/15/2025

Date Approved

10/14/2025

Summary of Products

FL #	Model, Number or Name	Description
46843.1	Grandeur Series 2023 Aluminum Horizontal Rolling Window	Large missile impact resistant aluminum horizontal rolling window.
Limits of Use Approved for use in HVHZ: Yes Approved for use outside HVHZ: Yes Impact Resistant: Yes Design Pressure: +80/-90 Other: See drawing 24-29F for span vs load combinations and installation details.		Installation Instructions FL46843_R3_II_SS - 2023 HR (LMI) - DWG 24-29F 2023 R3.pdf Verified By: Jalal Farooq PE 81223 Created by Independent Third Party: Yes Evaluation Reports FL46843_R3_AE_SS - 2023 HR (LMI) - PAE 2023 R3.pdf Created by Independent Third Party: Yes

[Back](#)

[Next](#)

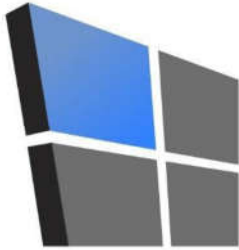
[Contact Us](#) :: 2601 Blair Stone Road, Tallahassee FL 32399 Phone: 850-487-1824

The State of Florida is an AA/EEO employer. [Copyright 2007-2013 State of Florida.](#) :: [Privacy Statement](#) :: [Accessibility Statement](#) :: [Refund Statement](#)

Under Florida law, email addresses are public records. If you do not want your e-mail address released in response to a public-records request, do not send email to this entity. Instead, contact the office by phone or by traditional mail. If you have any questions, please contact 850.487.1395. *Pursuant to Section 455.275(1), Florida Statutes, effective October 1, 2012, licensees licensed under Chapter 455, F.S. must provide the Department with an email address if they one. The emails provided may be used for official communication with the licensee. However email addresses are public record. If you do not wish to supply personal address, please provide the Department with an email address which can be made available to the public. To determine if you are a licensee under Chapter 455, F.S., please click [here](#).

Product Approval Accepts:





AL-FAROOQ CORPORATION

CONSULTING ENGINEERS & PRODUCT DEVELOPMENT

PRODUCT APPROVAL EVALUATION RULE CHAPTER #61G20-3 • METHOD 1 OPTION D

FL 46843

Date: 7/16/2025

Detailed Product Description:

Manufacturer: SUNSHINE WINDOWS MANUFACTURING INC.

Manufacturer Address: 1785 W 33 PLACE, HIALEAH, FL 33012

Model Name: GRANDEUR SERIES 2023 ALUMINUM HORIZONTAL ROLLING WINDOW

Maximum Load: +80 PSF, -90 PSF (Large Missile Impact)

Installation Drawings # 24-29F

This product complies with the High Velocity Hurricane Zone (HVHZ) testing requirements.

For maximum sizes, combination of span vs loads and anchor type refer to installation drawings.

Comparative analysis used X Yes No

Mandatory Tests (Tested in accordance with AAMA 101/I.S.2/NAFS/TAS-202)

Test	Description	Test Location	Test Report Date	Test Report #	Test Sealed By
ASTM E283	Air Infiltration Leakage	QAI Laboratories	3/13/2024 6/27/2024 11/4/2024	MED-1096 MED-1906b MED-1906c	Idalmis Ortega, PE Idalmis Ortega, PE Idalmis Ortega, PE
		IFET, Inc.	3/17/2025	TR-IFET-25-0009	Arshad Viqar, PE
ASTM E331 OR ASTM E547 & TAS 202	Water Penetration	QAI Laboratories	3/13/2024 6/27/2024 11/4/2024	MED-1096 MED-1906b MED-1906c	Idalmis Ortega, PE Idalmis Ortega, PE Idalmis Ortega, PE
		IFET, Inc.	3/17/2025	TR-IFET-25-0009	Arshad Viqar, PE
ASTM E330 & TAS 202	Uniform Static Air Press.	QAI Laboratories	3/13/2024 6/27/2024 11/4/2024	MED-1096 MED-1906b MED-1906c	Idalmis Ortega, PE Idalmis Ortega, PE Idalmis Ortega, PE
		IFET, Inc.	3/17/2025	TR-IFET-25-0009	Arshad Viqar, PE
ASTM F588	Forced Entry Test	QAI Laboratories	3/13/2024 6/27/2024	MED-1906 MED-1906b	Idalmis Ortega, PE Idalmis Ortega, PE
		IFET, Inc.	3/17/2025	TR-IFET-25-0009	Arshad Viqar, PE

Supplemental Tests (Tested in accordance with TAS-201 and TAS-203)

Test	Description	Test Location	Test Report Date	Test Report#	Test Sealed By
FBC 1626.2 TAS 201 & 203	Large Missile Impact & Cyclic	QAI Laboratories	3/13/2024 6/27/2024 11/4/2024	MED-1096 MED-1906b MED-1906c	Idalmis Ortega, PE Idalmis Ortega, PE Idalmis Ortega, PE
		IFET, Inc.	3/17/2025	TR-IFET-25-0009	Arshad Viqar, PE

Under the limitations of the attached installation drawings, to the best of my knowledge and ability, the above product conforms to the requirements of the 2023 Florida Building Code.

Evaluation Report Engineer:

Jalal Farooq
Al-Farooq Corporation

PE # 81223
EB # 3538



Sealed: 8/13/2025

GRANDEUR SERIES-2023

ALUMINUM HORIZONTAL ROLLING WINDOW

DESIGN LOAD RATINGS FOR THESE WINDOWS TO BE AS PER CHARTS SHOWN ON SHEETS 3 & 4.

APPROVAL APPLIES TO SINGLE UNITS OR SIDE BY SIDE COMBINATIONS OF H.R./H.R. OR HORIZ. ROLLING WITH OTHER WINDOW TYPES IN MODULES OF TWO OR MORE WINDOWS USING F.B.C. APPROVED MULLIONS IN BETWEEN.

LOWER DESIGN PRESSURE FROM WINDOWS OR MULLION APPROVAL WILL APPLY TO ENTIRE SYSTEM.

THIS PRODUCT HAS BEEN DESIGNED AND TESTED TO COMPLY WITH THE REQUIREMENTS OF THE 2023 (8TH EDITION) FLORIDA BUILDING CODE INCLUDING HIGH VELOCITY HURRICANE ZONE (HVHZ).

1BY OR 2BY WOOD BUCKS & BUCK FASTENERS BY OTHERS, MUST BE DESIGNED AND INSTALLED ADEQUATELY TO TRANSFER APPLIED PRODUCT LOADS TO THE BUILDING STRUCTURE.

ANCHORS SHALL BE CORROSION RESISTANT, SPACED AS SHOWN ON DETAILS AND INSTALLED PER MANUF'S INSTRUCTIONS. SPECIFIED EMBEDMENT TO BASE MATERIAL SHALL BE BEYOND WALL DRESSING OR STUCCO.

A LOAD DURATION INCREASE IS USED IN DESIGN OF ANCHORS INTO WOOD ONLY.

ALL SHIMS TO BE HIGH IMPACT, NON-METALLIC AND NON-COMPRESSIBLE.

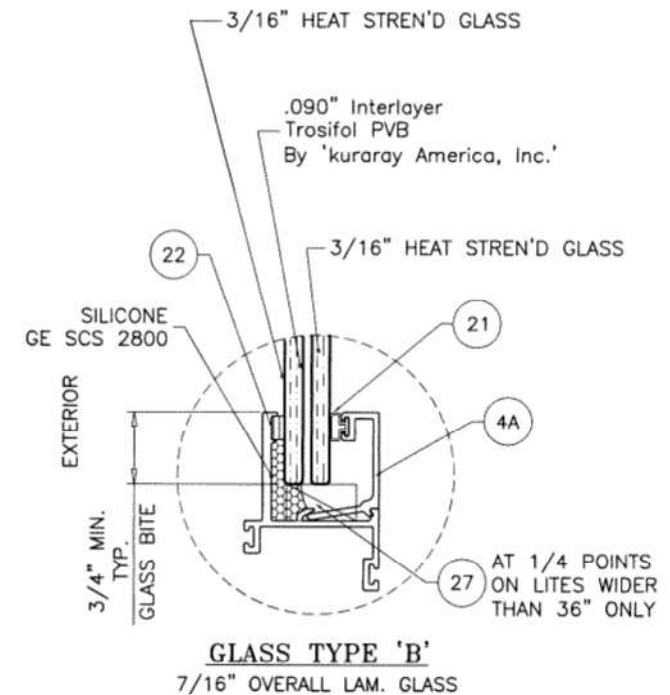
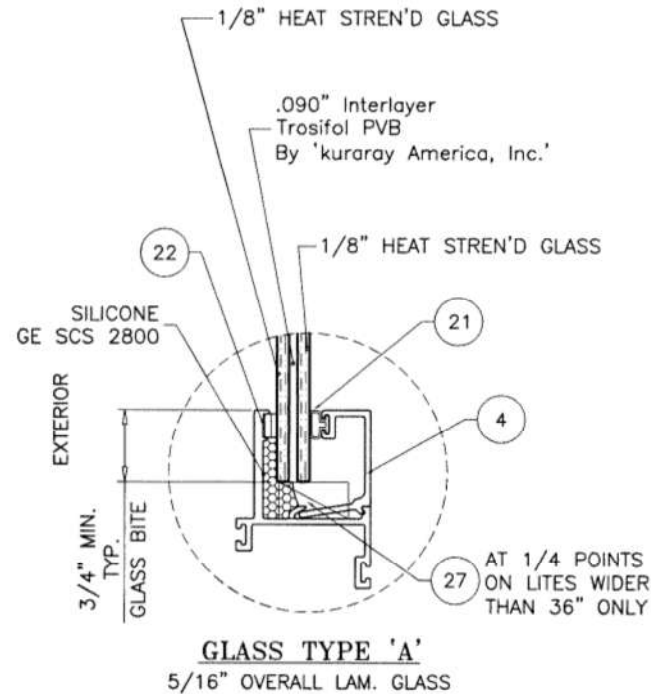
MATERIALS INCLUDING BUT NOT LIMITED TO STEEL/METAL SCREWS, THAT COME INTO CONTACT WITH OTHER DISSIMILAR MATERIALS SHALL MEET THE REQUIREMENTS OF THE 2023 FLORIDA BLDG. CODE & ADOPTED STANDARDS.

THIS PRODUCT APPROVAL IS GENERIC AND DOES NOT PROVIDE INFORMATION FOR A SITE SPECIFIC PROJECT, i.e. LIFE SAFETY OF THIS PRODUCT, ADEQUACY OF STRUCTURE RECEIVING THIS PRODUCT AND SEALING AROUND OPENING FOR WATER INFILTRATION RESISTANCE ETC.

CONDITIONS NOT SHOWN IN THIS DRAWING ARE TO BE ANALYZED SEPARATELY, AND TO BE REVIEWED BY BUILDING OFFICIAL.

DESIGN LOADS SHOWN ARE BASED ON 'ALLOWABLE STRESS DESIGN (ASD)'. MANUFACTURER'S LABEL SHALL BE LOCATED ON A READILY VISIBLE LOCATION IN ACCORDANCE WITH SECTION 1709.9.3 OF FLORIDA BUILDING CODE.

LABELING TO COMPLY WITH SECTION 1709.9.2.



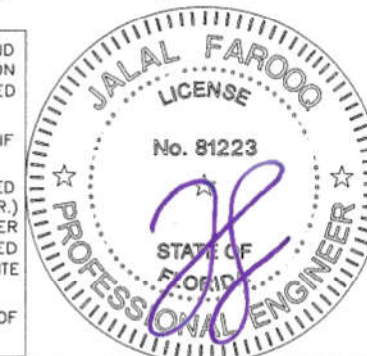
GLAZING OPTIONS

THESE WINDOWS ARE RATED FOR LARGE & SMALL MISSILE IMPACT. SHUTTERS ARE NOT REQUIRED.

Sealed: 8/11/2025

FL #46843

- A- CONTRACTOR TO BE RESPONSIBLE FOR THE SELECTION, PURCHASE AND INSTALLATION OF THIS PRODUCT BASED ON THIS PRODUCT EVALUATION PROVIDED HE/SHE DOES NOT DEVIATE FROM THE CONDITIONS DETAILED ON THIS DOCUMENT.
- B- THIS PRODUCT EVALUATION DOCUMENT WILL BE CONSIDERED INVALID IF ALTERED BY ANY MEANS.
- C- SITE SPECIFIC PROJECTS SHALL BE PREPARED BY A FLORIDA REGISTERED ENGINEER OR ARCHITECT WHICH WILL BECOME THE ENGINEER OF RECORD (E.O.R.) FOR THE PROJECT AND WHO WILL BE RESPONSIBLE FOR THE PROPER USE OF THE P.E.D. ENGINEER OF RECORD, ACTING AS A DELEGATED ENGINEER TO THE P.E.D. ENGINEER SHALL SUBMIT TO THIS LATTER THE SITE SPECIFIC DRAWINGS FOR REVIEW.
- D- THIS P.E.D. SHALL BEAR THE DATE AND ORIGINAL SEAL AND SIGNATURE OF THE PROFESSIONAL ENGINEER OF RECORD THAT PREPARED IT.



NOTE:
GLASS CAPACITIES ARE BASED ON
ASTM E1300-09 (3 SEC. GUSTS)
AND FLORIDA BUILDING COMMISSION
DECLARATORY STATEMENT DCA05-DEC-219

af c
AL-FAROOQ CORPORATION
ENGINEERS & PRODUCT DEVELOPMENT
9360 SUNSET DRIVE, SUITE 220
MIAMI, FLORIDA 33173 (C.A.N. 3538)
TEL. (305) 264-8100 FAX. (305) 262-6978
COMP-ANL\24-29F-SWM

GRANDEUR SERIES-2023 ALUM H.R. WDW. (L.M.I.)
Sunshine Windows Manufacturing, Inc.
1785 West 33rd Place
Hialeah, FL. 33012
Tel. (305) 364-9952 Fax. (305) 828-5118

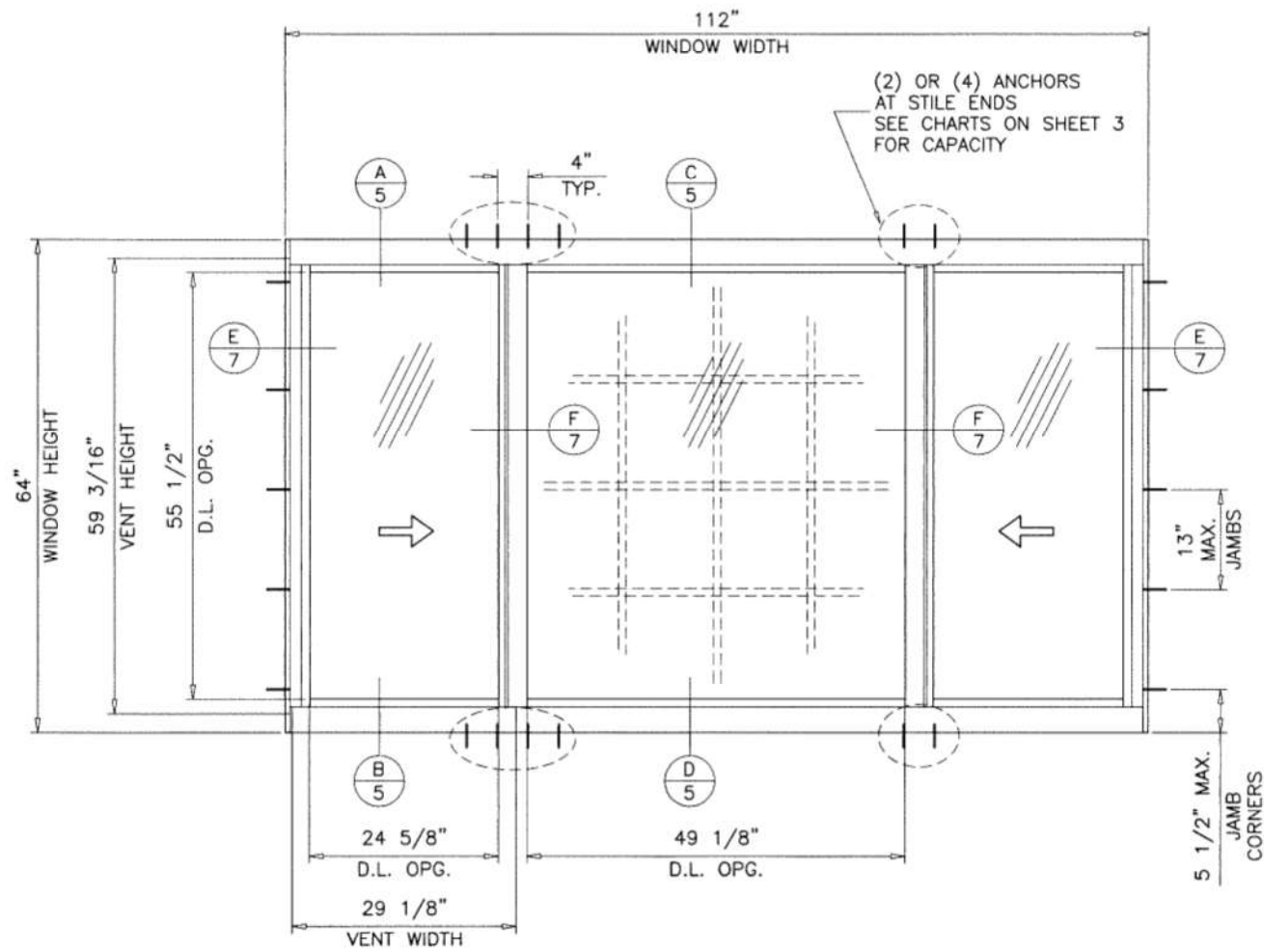
no	date	description
A	06.21.24	5/16" GLASS OPTION ADDED
B	01.10.25	HEAD/SILL W/O ANCHORS ADDED
C	07.01.25	TEST FOR GLASS TYPE B ADDED

revisions:

date: 05-09-24
scale: 1/2" = 1"
dr. by: TARIQ
chk. by:

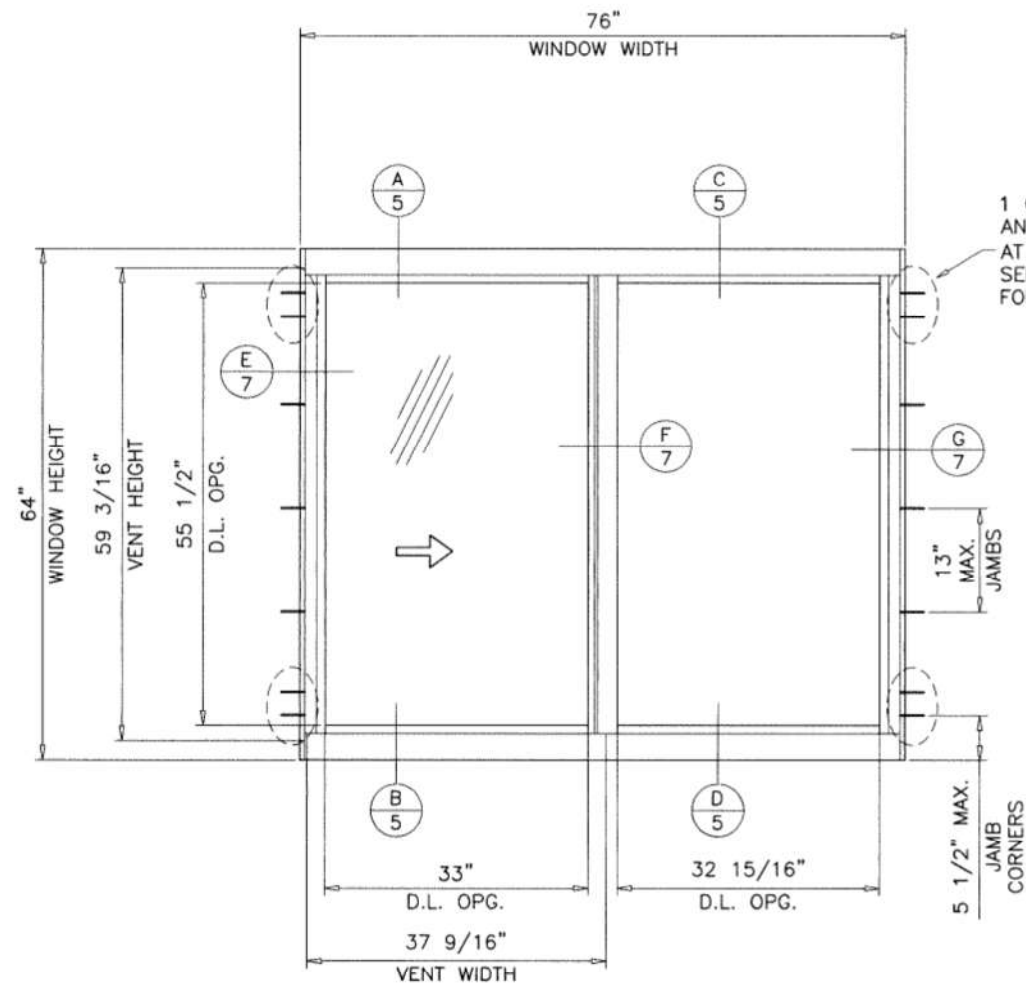
drawing no.
24-29F

sheet 1 of 12



TYPICAL ELEVATION (TESTED UNIT)

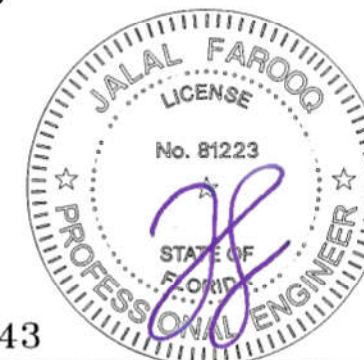
ANCHORS REQD. AT HEAD AND SILL
SEE SHEET 3 FOR CAPACITY AND SHEET 5 FOR DETAILS



TYPICAL ELEVATION (TESTED UNIT)

ANCHORS NOT REQD. AT HEAD AND SILL
SEE SHEET 4 FOR CAPACITY

Sealed: 8/11/2025



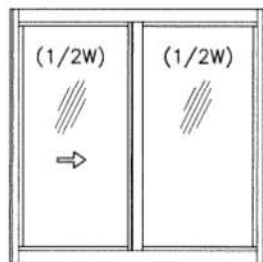
FL #46843

afc
AL-FAROOQ CORPORATION
 ENGINEERS & PRODUCT DEVELOPMENT
 9360 SUNSET DRIVE, SUITE 220 (C.A.N. 3538)
 MIAMI, FLORIDA 33173 TEL. (305) 264-8100 FAX. (305) 262-6978
 COMP-ANL\24-29F-SWM

GRANDEUR SERIES-2023 ALUM H.R. WDW. (L.M.I.)
Sunshine Windows Manufacturing, Inc.
 1785 West 33rd Place
 Hialeah, FL 33012
 Tel. (305) 364-9952 Fax. (305) 828-5118

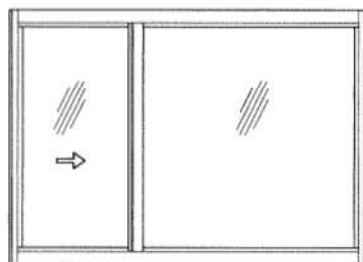
revisions:	no	date	by	description
date:	05-09-24	scale:	1/2"=1'-0"	
dr. by:	TARIQ	chk. by:		
drawing no.	24-29F			
sheet	2 of 12			

DESIGN LOAD CAPACITY - PSF (XO OR OX SIZES) GLASS TYPES 'A' OR 'B'					
WINDOW DIMS.		2 ANCHORS AT STILE ENDS		4 ANCHORS AT STILE ENDS	
WIDTH	HEIGHT	EXT.(+)	INT.(-)	EXT.(+)	INT.(-)
26-1/2"	26"	70.0	80.0	70.0	80.0
37"		70.0	80.0	70.0	80.0
53-1/8"		70.0	80.0	70.0	80.0
63"		70.0	80.0	70.0	80.0
74"		70.0	80.0	70.0	80.0
26-1/2"	38-3/8"	70.0	80.0	70.0	80.0
37"		70.0	80.0	70.0	80.0
53-1/8"		70.0	80.0	70.0	80.0
63"		70.0	80.0	70.0	80.0
74"	70.0	80.0	70.0	80.0	
26-1/2"	50-5/8"	70.0	80.0	70.0	80.0
37"		70.0	80.0	70.0	80.0
53-1/8"		70.0	80.0	70.0	80.0
63"		70.0	80.0	70.0	80.0
74"	70.0	70.7	70.0	80.0	
26-1/2"	56"	70.0	80.0	70.0	80.0
37"		70.0	80.0	70.0	80.0
53-1/8"		70.0	80.0	70.0	80.0
63"		70.0	75.1	70.0	80.0
74"		63.9	63.9	70.0	80.0
26-1/2"	64"	70.0	80.0	70.0	80.0
37"		70.0	80.0	70.0	80.0
53-1/8"		70.0	77.9	70.0	80.0
63"		65.7	65.7	70.0	80.0
74"	55.9	55.9	70.0	80.0	
24"	60"	70.0	80.0	70.0	80.0
36"		70.0	80.0	70.0	80.0
48"		70.0	80.0	70.0	80.0
60"		70.0	73.6	70.0	80.0
72"		61.3	61.3	70.0	80.0
78"		56.6	56.6	70.0	80.0
84"		52.6	52.6	70.0	80.0
24"	64"	70.0	80.0	70.0	80.0
36"		70.0	80.0	70.0	80.0
48"		70.0	80.0	70.0	80.0
60"		69.0	69.0	70.0	80.0
72"		57.5	57.5	70.0	80.0
78"		53.1	53.1	70.0	80.0
84"		49.3	49.3	70.0	80.0



OPERATING VENTS TO BE 1/2 OF THE WDW. W.
'XO OR OX'

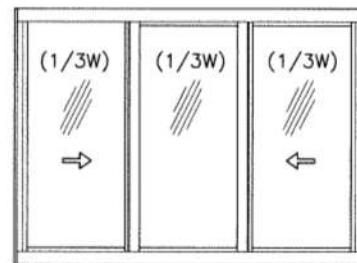
DESIGN LOAD CAPACITY - PSF (XO OR OX SIZES) GLASS TYPES 'A' OR 'B'					
WINDOW DIMS.		2 ANCHORS AT STILE ENDS		4 ANCHORS AT STILE ENDS	
WIDTH	HEIGHT	EXT.(+)	INT.(-)	EXT.(+)	INT.(-)
26-1/2"	26"	70.0	80.0	70.0	80.0
37"		70.0	80.0	70.0	80.0
53-1/8"		70.0	80.0	70.0	80.0
63"		70.0	80.0	70.0	80.0
74"		70.0	80.0	70.0	80.0
26-1/2"	38-3/8"	70.0	80.0	70.0	80.0
37"		70.0	80.0	70.0	80.0
53-1/8"		70.0	80.0	70.0	80.0
63"		70.0	80.0	70.0	80.0
74"	70.0	80.0	70.0	80.0	
26-1/2"	50-5/8"	70.0	80.0	70.0	80.0
37"		70.0	80.0	70.0	80.0
53-1/8"		70.0	80.0	70.0	80.0
63"		70.0	80.0	70.0	80.0
74"	70.0	70.7	70.0	80.0	
26-1/2"	56"	70.0	80.0	70.0	80.0
37"		70.0	80.0	70.0	80.0
53-1/8"		70.0	80.0	70.0	80.0
63"		70.0	75.1	70.0	80.0
74"		63.9	63.9	70.0	80.0
26-1/2"	64"	70.0	80.0	70.0	80.0
37"		70.0	80.0	70.0	80.0
53-1/8"		70.0	77.9	70.0	80.0
63"		65.7	65.7	70.0	80.0
74"	55.9	55.9	70.0	80.0	
24"	60"	70.0	80.0	70.0	80.0
36"		70.0	80.0	70.0	80.0
48"		70.0	80.0	70.0	80.0
60"		70.0	73.6	70.0	80.0
72"		61.3	61.3	70.0	80.0
78"		56.6	56.6	70.0	80.0
84"		52.6	52.6	70.0	80.0
24"	64"	70.0	80.0	70.0	80.0
36"		70.0	80.0	70.0	80.0
48"		70.0	80.0	70.0	80.0
60"		69.0	69.0	70.0	80.0
72"		57.5	57.5	70.0	80.0
78"		53.1	53.1	70.0	80.0
84"		49.3	49.3	70.0	80.0



OPERATING VENTS TO BE 1/3 OF THE WDW. W.
'XO OR OX'

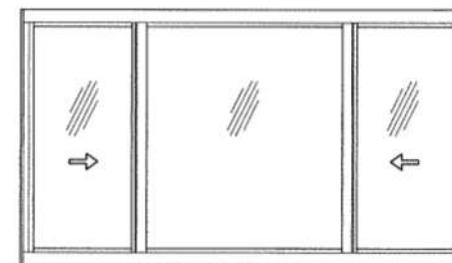
HEAD AND SILL ANCHORS ARE REQUIRED

DESIGN LOAD CAPACITY - PSF (XOX SIZES) GLASS TYPES 'A' OR 'B'					
WINDOW DIMS.		2 ANCHORS AT STILE ENDS		4 ANCHORS AT STILE ENDS	
WIDTH	HEIGHT	EXT.(+)	INT.(-)	EXT.(+)	INT.(-)
74"	26"	70.0	80.0	70.0	80.0
106-1/4"		70.0	80.0	70.0	80.0
112"		70.0	80.0	70.0	80.0
74"	38-3/8"	70.0	80.0	70.0	80.0
106-1/4"		70.0	80.0	70.0	80.0
112"	70.0	80.0	70.0	80.0	
74"	50-5/8"	70.0	80.0	70.0	80.0
106-1/4"		70.0	73.9	70.0	80.0
112"	70.0	70.1	70.0	80.0	
74"	56"	70.0	80.0	70.0	80.0
106-1/4"		66.8	66.8	70.0	80.0
112"	63.4	63.4	70.0	80.0	
74"	64"	70.0	80.0	70.0	80.0
106-1/4"		58.4	58.4	70.0	80.0
112"	55.4	55.4	70.0	80.0	
72"	24"	70.0	80.0	70.0	80.0
84"		70.0	80.0	70.0	80.0
96"		70.0	80.0	70.0	80.0
108"		70.0	80.0	70.0	80.0
72"	36"	70.0	80.0	70.0	80.0
84"		70.0	80.0	70.0	80.0
96"		70.0	80.0	70.0	80.0
108"		70.0	80.0	70.0	80.0
72"	48"	70.0	80.0	70.0	80.0
84"		70.0	80.0	70.0	80.0
96"		70.0	80.0	70.0	80.0
108"		70.0	76.7	70.0	80.0
72"	60"	70.0	80.0	70.0	80.0
84"		70.0	78.9	70.0	80.0
96"		69.0	69.0	70.0	80.0
108"		61.3	61.3	70.0	80.0



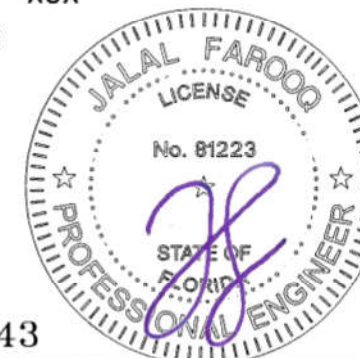
OPERATING VENTS TO BE 1/3 OF THE WDW. W.
'XOX'

DESIGN LOAD CAPACITY - PSF (XOX SIZES) GLASS TYPES 'A' OR 'B'					
WINDOW DIMS.		2 ANCHORS AT STILE ENDS		4 ANCHORS AT STILE ENDS	
WIDTH	HEIGHT	EXT.(+)	INT.(-)	EXT.(+)	INT.(-)
74"	26"	70.0	80.0	70.0	80.0
106-1/4"		70.0	80.0	70.0	80.0
112"		70.0	80.0	70.0	80.0
74"	38-3/8"	70.0	80.0	70.0	80.0
106-1/4"		70.0	80.0	70.0	80.0
112"	70.0	80.0	70.0	80.0	
74"	50-5/8"	70.0	80.0	70.0	80.0
106-1/4"		65.7	65.7	70.0	80.0
112"	62.3	62.3	70.0	80.0	
74"	56"	70.0	80.0	70.0	80.0
106-1/4"		59.4	59.4	70.0	80.0
112"	56.3	56.3	70.0	80.0	
74"	64"	70.0	74.6	70.0	80.0
106-1/4"		52.0	52.0	70.0	80.0
112"	49.3	49.3	70.0	80.0	
72"	24"	70.0	80.0	70.0	80.0
84"		70.0	80.0	70.0	80.0
96"		70.0	80.0	70.0	80.0
108"		70.0	80.0	70.0	80.0
72"	36"	70.0	80.0	70.0	80.0
84"		70.0	80.0	70.0	80.0
96"		70.0	80.0	70.0	80.0
108"		70.0	80.0	70.0	80.0
72"	48"	70.0	80.0	70.0	80.0
84"		70.0	80.0	70.0	80.0
96"		70.0	76.7	70.0	80.0
108"		68.1	68.1	70.0	80.0
72"	60"	70.0	80.0	70.0	80.0
84"		70.0	70.1	70.0	80.0
96"		61.3	61.3	70.0	80.0
108"		54.5	54.5	70.0	80.0



OPERATING VENTS TO BE 1/4 TO 1/3 OF THE WDW. W.
'XOX'

Sealed: 8/11/2025



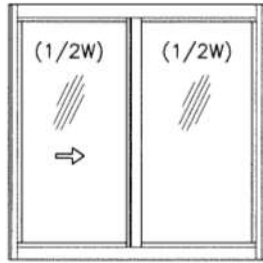
FL #46843

af c
AL-FAROOQ CORPORATION
ENGINEERS & PRODUCT DEVELOPMENT
9360 SUNSET DRIVE, SUITE 220
MIAMI, FLORIDA 33173 (C.A.N. 3538)
TEL. (305) 262-6978 FAX. (305) 262-6978
COMP-ANL\24-29F-SWM

GRANDEUR SERIES-2023 ALUM H.R. WDW. (L.M.I.)
Sunshine Windows Manufacturing, Inc.
1785 West 33rd Place
Hialeah, FL. 33012
Tel. (305) 364-9952 Fax. (305) 828-5118

revisions:	no	date	by	description
date:	05-09-24	scale:	-	
dr. by:	TARIQ	chk. by:		
drawing no.	24-29F			
sheet	3 of 12			

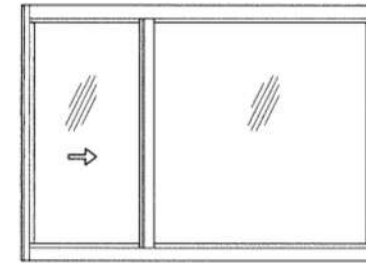
DESIGN LOAD CAPACITY - PSF (XO OR OX SIZES) GLASS TYPE 'B'					
WINDOW DIMS.		3 ANCHORS AT STILE ENDS		5 ANCHORS AT STILE ENDS	
WIDTH	HEIGHT	EXT.(+)	INT.(-)	EXT.(+)	INT.(-)
26-1/2"	56"	80.0	90.0	80.0	90.0
37"		80.0	90.0	80.0	90.0
53-1/8"		80.0	90.0	80.0	90.0
63"		80.0	90.0	80.0	90.0
74"		80.0	90.0	80.0	90.0
26-1/2"	64"	80.0	90.0	80.0	90.0
37"		80.0	90.0	80.0	90.0
53-1/8"		80.0	90.0	80.0	90.0
63"		80.0	90.0	80.0	90.0
74"		80.0	83.9	80.0	90.0
26-1/2"	72"	80.0	90.0	80.0	90.0
37"		80.0	90.0	80.0	90.0
53-1/8"		80.0	90.0	80.0	90.0
63"		80.0	87.6	80.0	90.0
74"		74.6	74.6	80.0	90.0



OPERATING VENTS TO BE 1/2 OF THE WDW. W.
'XO OR OX'

DESIGN LOAD CAPACITY - PSF (XO OR OX SIZES) GLASS TYPE 'B'						
WINDOW DIMS.		3 ANCHORS AT STILE ENDS		5 ANCHORS AT STILE ENDS		
WIDTH	HEIGHT	EXT.(+)	INT.(-)	EXT.(+)	INT.(-)	
60"	48"	80.0	90.0	80.0	90.0	
72"		80.0	90.0	80.0	90.0	
80"		80.0	90.0	80.0	90.0	
84"		80.0	90.0	80.0	90.0	
90"		80.0	90.0	80.0	90.0	
96"		80.0	90.0	80.0	90.0	
102"		80.0	90.0	80.0	90.0	
108"		80.0	90.0	80.0	90.0	
60"		60"	80.0	90.0	80.0	90.0
72"			80.0	90.0	80.0	90.0
80"	80.0		82.8	80.0	90.0	
84"	78.9		78.9	80.0	90.0	
90"	73.6		73.6	80.0	90.0	
96"	69.0		69.0	80.0	90.0	
102"	64.9		64.9	80.0	90.0	
108"	61.3		61.3	80.0	90.0	
60"	64"		80.0	90.0	80.0	90.0
72"			80.0	86.3	80.0	90.0
80"		77.6	77.6	80.0	90.0	
84"		73.9	73.9	80.0	90.0	
90"		69.0	69.0	80.0	90.0	
96"		64.7	64.7	80.0	90.0	
102"		60.9	60.9	80.0	90.0	
60"	70"	80.0	90.0	80.0	90.0	
72"		78.9	78.9	80.0	90.0	
80"		71.0	71.0	80.0	90.0	
84"		67.6	67.6	80.0	90.0	
90"		63.1	63.1	80.0	90.0	
96"		59.1	59.1	80.0	90.0	
48"	76"	80.0	90.0	80.0	90.0	
60"		80.0	87.2	80.0	90.0	
72"		72.6	72.6	80.0	90.0	
80"		65.4	65.4	80.0	90.0	
84"		62.3	62.3	80.0	90.0	
90"		58.1	58.1	80.0	90.0	

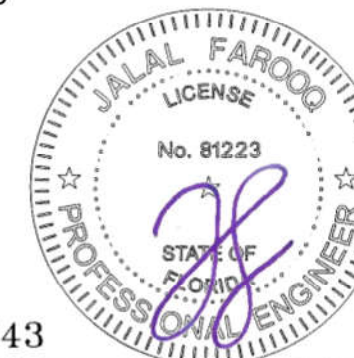
DESIGN LOAD CAPACITY - PSF (XO OR OX SIZES) GLASS TYPE 'B'					
WINDOW DIMS.		3 ANCHORS AT STILE ENDS		5 ANCHORS AT STILE ENDS	
WIDTH	HEIGHT	EXT.(+)	INT.(-)	EXT.(+)	INT.(-)
26-1/2"	56"	80.0	90.0	80.0	90.0
37"		80.0	90.0	80.0	90.0
53-1/8"		80.0	90.0	80.0	90.0
63"		80.0	90.0	80.0	90.0
74"		80.0	90.0	80.0	90.0
26-1/2"	64"	80.0	90.0	80.0	90.0
37"		80.0	90.0	80.0	90.0
53-1/8"		80.0	90.0	80.0	90.0
63"		80.0	90.0	80.0	90.0
74"		80.0	83.9	80.0	90.0
26-1/2"	72"	80.0	90.0	80.0	90.0
37"		80.0	90.0	80.0	90.0
53-1/8"		80.0	90.0	80.0	90.0
63"		80.0	87.6	80.0	90.0
74"		74.6	74.6	80.0	90.0



OPERATING VENTS TO BE 1/3 OF THE WDW. W.
'XO OR OX'


DESIGN LOAD CAPACITY - PSF (XO OR OX SIZES) GLASS TYPE 'B'						
WINDOW DIMS.		3 ANCHORS AT STILE ENDS		5 ANCHORS AT STILE ENDS		
WIDTH	HEIGHT	EXT.(+)	INT.(-)	EXT.(+)	INT.(-)	
60"	48"	80.0	90.0	80.0	90.0	
72"		80.0	90.0	80.0	90.0	
80"		80.0	90.0	80.0	90.0	
84"		80.0	90.0	80.0	90.0	
90"		80.0	90.0	80.0	90.0	
96"		80.0	90.0	80.0	90.0	
102"		80.0	90.0	80.0	90.0	
108"		80.0	90.0	80.0	90.0	
60"		60"	80.0	90.0	80.0	90.0
72"			80.0	90.0	80.0	90.0
80"	80.0		82.8	80.0	90.0	
84"	78.9		78.9	80.0	90.0	
90"	73.6		73.6	80.0	90.0	
96"	69.0		69.0	80.0	90.0	
102"	64.9		64.9	80.0	90.0	
108"	61.3		61.3	80.0	90.0	
60"	64"		80.0	90.0	80.0	90.0
72"			80.0	86.3	80.0	90.0
80"		77.6	77.6	80.0	90.0	
84"		73.9	73.9	80.0	90.0	
90"		69.0	69.0	80.0	90.0	
96"		64.7	64.7	80.0	90.0	
102"		60.9	60.9	80.0	90.0	
60"	70"	80.0	90.0	80.0	90.0	
72"		78.9	78.9	80.0	90.0	
80"		71.0	71.0	80.0	90.0	
84"		67.6	67.6	80.0	90.0	
90"		63.1	63.1	80.0	90.0	
96"		59.1	59.1	80.0	90.0	
48"	76"	80.0	90.0	80.0	90.0	
60"		80.0	87.2	80.0	90.0	
72"		72.6	72.6	80.0	90.0	
80"		65.4	65.4	80.0	90.0	
84"		62.3	62.3	80.0	90.0	
90"		58.1	58.1	80.0	90.0	

Sealed: 8/11/2025



HEAD AND SILL ANCHORS ARE REQUIRED

FL #46843



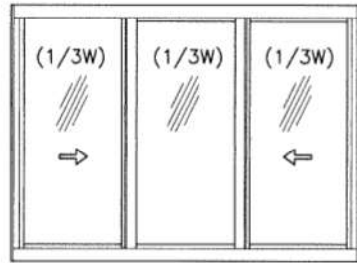
AL-FAROOQ CORPORATION
ENGINEERS & PRODUCT DEVELOPMENT
9360 SUNSET DRIVE, SUITE 220
MIAMI, FLORIDA 33173 (C.A.N. 3538)
TEL. (305) 264-8100 FAX. (305) 262-6978
COMP-ANL 24-29F-SWM

GRANDEUR SERIES-2023 ALUM H.R. WDW. (L.M.I.)
Sunshine Windows Manufacturing, Inc.
1785 West 33rd Place
Hialeah, FL. 33012
Tel. (305) 364-9952 Fax. (305) 828-5118

revisions:	no.	date	by	description

date: 05-09-24	scale: -	dr. by: TARIO	chk. by:
drawing no. 24-29F			
sheet 3.1 of 12			

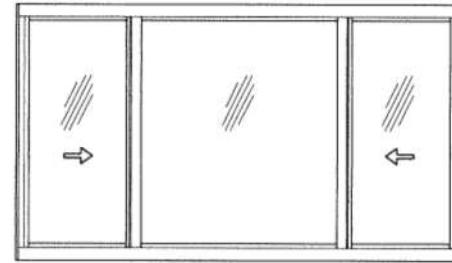
DESIGN LOAD CAPACITY - PSF (XOX SIZES) GLASS TYPE 'B'					
WINDOW DIMS.		3 ANCHORS AT STILE ENDS		5 ANCHORS AT STILE ENDS	
WIDTH	HEIGHT	EXT.(+)	INT.(-)	EXT.(+)	INT.(-)
74"	50-5/8"	80.0	90.0	80.0	90.0
106-1/4"		80.0	90.0	80.0	90.0
112"		80.0	90.0	80.0	90.0
74"	56"	80.0	90.0	80.0	90.0
106-1/4"		80.0	90.0	80.0	90.0
112"		80.0	90.0	80.0	90.0
74"	64"	80.0	90.0	80.0	90.0
106-1/4"		80.0	87.7	80.0	90.0
112"		80.0	83.2	80.0	90.0
74"	72"	80.0	90.0	80.0	90.0
106-1/4"		77.9	77.9	80.0	90.0
112"		73.9	73.9	80.0	90.0



OPERATING VENTS TO BE 1/3 OF THE WDW. W.
'XOX'

DESIGN LOAD CAPACITY - PSF (XOX SIZES) GLASS TYPE 'B'					
WINDOW DIMS.		3 ANCHORS AT STILE ENDS		5 ANCHORS AT STILE ENDS	
WIDTH	HEIGHT	EXT.(+)	INT.(-)	EXT.(+)	INT.(-)
72"	36"	80.0	90.0	80.0	90.0
84"		80.0	90.0	80.0	90.0
96"		80.0	90.0	80.0	90.0
108"		80.0	90.0	80.0	90.0
120"		80.0	90.0	80.0	90.0
132"		80.0	90.0	80.0	90.0
144"	80.0	90.0	80.0	90.0	
72"	48"	80.0	90.0	80.0	90.0
84"		80.0	90.0	80.0	90.0
96"		80.0	90.0	80.0	90.0
108"		80.0	90.0	80.0	90.0
120"		80.0	90.0	80.0	90.0
132"		80.0	90.0	80.0	90.0
144"	80.0	86.3	80.0	90.0	
72"	60"	80.0	90.0	80.0	90.0
84"		80.0	90.0	80.0	90.0
96"		80.0	90.0	80.0	90.0
108"		80.0	90.0	80.0	90.0
120"		80.0	82.8	80.0	90.0
132"		75.3	75.3	80.0	90.0
144"	69.0	69.0	80.0	90.0	
72"	66"	80.0	90.0	80.0	90.0
84"		80.0	90.0	80.0	90.0
96"		80.0	90.0	80.0	90.0
108"		80.0	83.6	80.0	90.0
120"		75.3	75.3	80.0	90.0
132"		68.4	68.4	80.0	90.0
72"	70"	80.0	90.0	80.0	90.0
84"		80.0	90.0	80.0	90.0
96"		80.0	88.7	80.0	90.0
108"		78.9	78.9	80.0	90.0
120"		71.0	71.0	80.0	90.0
72"	76"	80.0	90.0	80.0	90.0
84"		80.0	90.0	80.0	90.0
96"		80.0	81.7	80.0	90.0
108"		72.6	72.6	80.0	90.0
120"		65.4	65.4	80.0	90.0

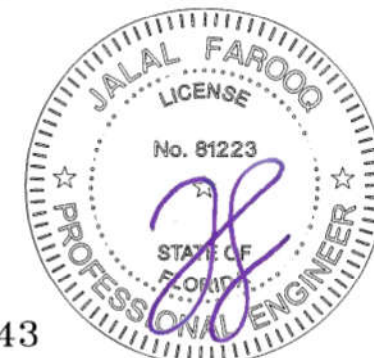
DESIGN LOAD CAPACITY - PSF (XOX SIZES) GLASS TYPE 'B'					
WINDOW DIMS.		3 ANCHORS AT STILE ENDS		5 ANCHORS AT STILE ENDS	
WIDTH	HEIGHT	EXT.(+)	INT.(-)	EXT.(+)	INT.(-)
74"	50-5/8"	80.0	90.0	80.0	90.0
106-1/4"		80.0	90.0	80.0	90.0
112"		80.0	90.0	80.0	90.0
74"	56"	80.0	90.0	80.0	90.0
106-1/4"		80.0	89.1	80.0	90.0
112"		80.0	84.5	80.0	90.0
74"	64"	80.0	90.0	80.0	90.0
106-1/4"		77.9	77.9	80.0	90.0
112"		73.9	73.9	80.0	90.0
74"	72"	80.0	90.0	80.0	90.0
106-1/4"		69.3	69.3	80.0	90.0
112"		65.7	65.7	80.0	90.0



OPERATING VENTS TO BE 1/4 TO 1/3 OF THE WDW. W.
'XOX'

DESIGN LOAD CAPACITY - PSF (XOX SIZES) GLASS TYPE 'B'					
WINDOW DIMS.		3 ANCHORS AT STILE ENDS		5 ANCHORS AT STILE ENDS	
WIDTH	HEIGHT	EXT.(+)	INT.(-)	EXT.(+)	INT.(-)
72"	36"	80.0	90.0	80.0	90.0
84"		80.0	90.0	80.0	90.0
96"		80.0	90.0	80.0	90.0
108"		80.0	90.0	80.0	90.0
120"		80.0	90.0	80.0	90.0
132"		80.0	90.0	80.0	90.0
144"	80.0	90.0	80.0	90.0	
72"	48"	80.0	90.0	80.0	90.0
84"		80.0	90.0	80.0	90.0
96"		80.0	90.0	80.0	90.0
108"		80.0	90.0	80.0	90.0
120"		80.0	90.0	80.0	90.0
132"		80.0	83.6	80.0	90.0
144"	76.7	76.7	80.0	90.0	
72"	60"	80.0	90.0	80.0	90.0
84"		80.0	90.0	80.0	90.0
96"		80.0	90.0	80.0	90.0
108"		80.0	81.8	80.0	90.0
120"		73.6	73.6	80.0	90.0
132"		66.9	66.9	80.0	90.0
144"	61.3	61.3	80.0	90.0	
72"	66"	80.0	90.0	80.0	90.0
84"		80.0	90.0	80.0	90.0
96"		80.0	83.6	80.0	90.0
108"		74.3	74.3	80.0	90.0
120"		66.9	66.9	80.0	90.0
132"		60.8	60.8	80.0	90.0
72"	70"	80.0	90.0	80.0	90.0
84"		80.0	90.0	80.0	90.0
96"		78.9	78.9	80.0	90.0
108"		70.1	70.1	80.0	90.0
120"		63.1	63.1	80.0	90.0
72"	76"	80.0	90.0	80.0	90.0
84"		80.0	83.0	80.0	90.0
96"		72.6	72.6	80.0	90.0
108"		64.6	64.6	80.0	90.0
120"		58.1	58.1	80.0	90.0

Sealed: 8/11/2025



HEAD AND SILL ANCHORS ARE REQUIRED

FL #46843

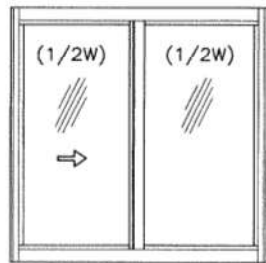


AL-FAROOQ CORPORATION
ENGINEERS & PRODUCT DEVELOPMENT
9360 SUNSET DRIVE, SUITE 220
MIAMI, FLORIDA 33173 (C.A.N. 3538)
TEL. (305) 262-6978 FAX. (305) 262-6978
COMP-ANL 24-29F-SWM

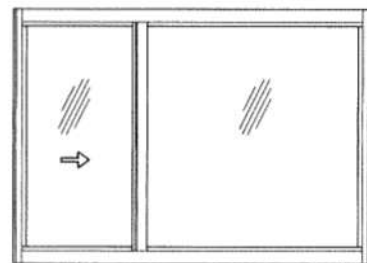
GRANDEUR SERIES-2023 ALUM H.R. WDW. (L.M.I.)
Sunshine Windows Manufacturing, Inc.
1785 West 33rd Place
Hialeah, FL 33012
Tel. (305) 364-9952 Fax. (305) 828-5118

revisions:	no.	date	by	description
date:	05-09-24	scale:	-	
dr. by:	TARIQ	chk. by:		
drawing no.	24-29F			
sheet	3.2 of 12			

DESIGN LOAD CAPACITY - PSF (XO OR OX SIZES)				
WINDOW DIMS.		GLASS TYPES 'A' OR 'B'		NUMBER OF ANCHORS AT HEAD/SILL ENDS
WIDTH	HEIGHT	EXT.(+)	INT.(-)	
26-1/2"	26"	70.0	80.0	1
37"		70.0	80.0	1
53-1/8"		70.0	80.0	1
63"		70.0	80.0	1
74"		70.0	80.0	1
26-1/2"	38-3/8"	70.0	80.0	1
37"		70.0	80.0	1
53-1/8"		70.0	80.0	1
63"		70.0	80.0	2
74"		70.0	80.0	2
26-1/2"	50-5/8"	70.0	80.0	1
37"		70.0	80.0	1
53-1/8"		70.0	80.0	1
63"		70.0	80.0	2
74"		70.0	80.0	2
26-1/2"	56"	70.0	80.0	1
37"		70.0	80.0	1
53-1/8"		70.0	80.0	1
63"		70.0	80.0	2
74"		70.0	80.0	2
26-1/2"	64"	70.0	80.0	1
37"		70.0	80.0	1
53-1/8"		70.0	80.0	1
63"		70.0	80.0	2
74"		70.0	80.0	2
24"	60"	70.0	80.0	1
36"		70.0	80.0	1
48"		70.0	80.0	1
60"		70.0	80.0	2
72"		70.0	80.0	2
76"	70.0	80.0	2	
24"	64"	70.0	80.0	1
36"		70.0	80.0	1
48"		70.0	80.0	1
60"		70.0	80.0	2
72"		70.0	80.0	2
76"	70.0	80.0	2	



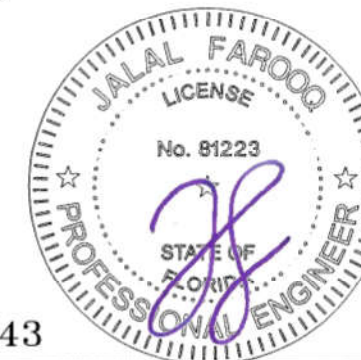
OPERATING VENTS TO BE 1/2 OF THE WDW. W.
'XO OR OX'



OPERATING VENTS TO BE 1/3 OF THE WDW. W.
'XO OR OX'

HEAD AND SILL ANCHORS NOT REQUIRED

Sealed: 8/11/2025

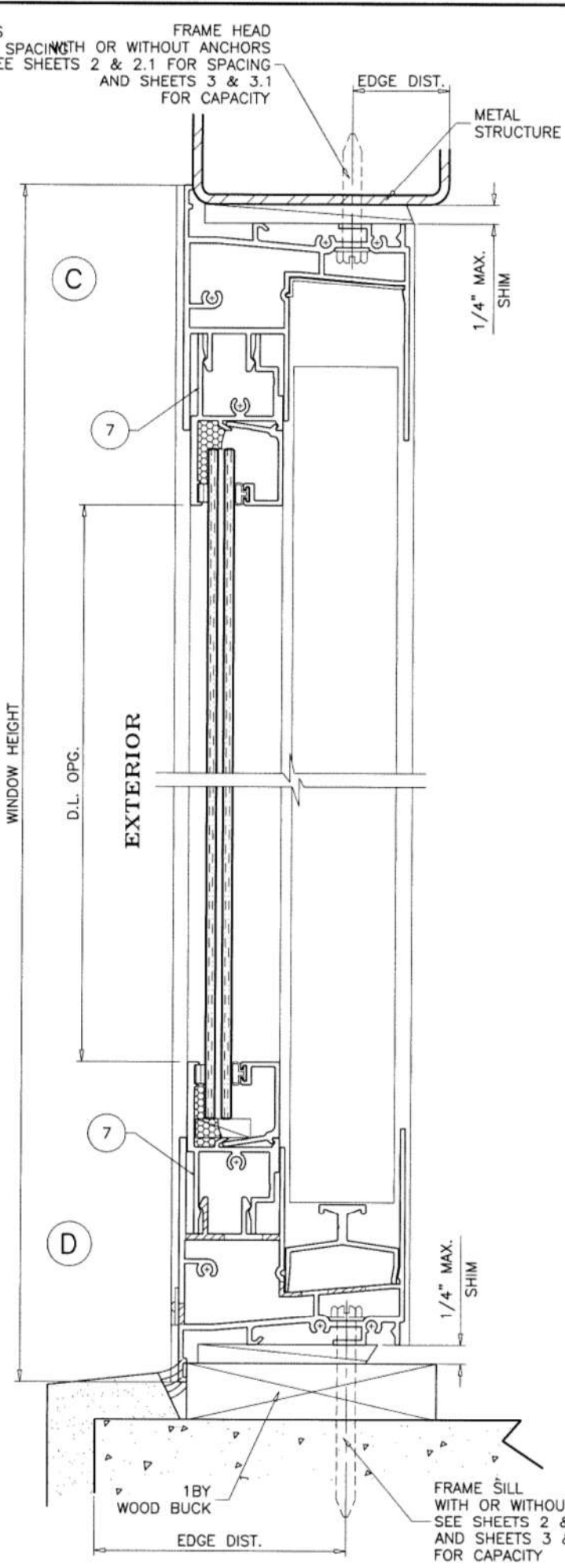
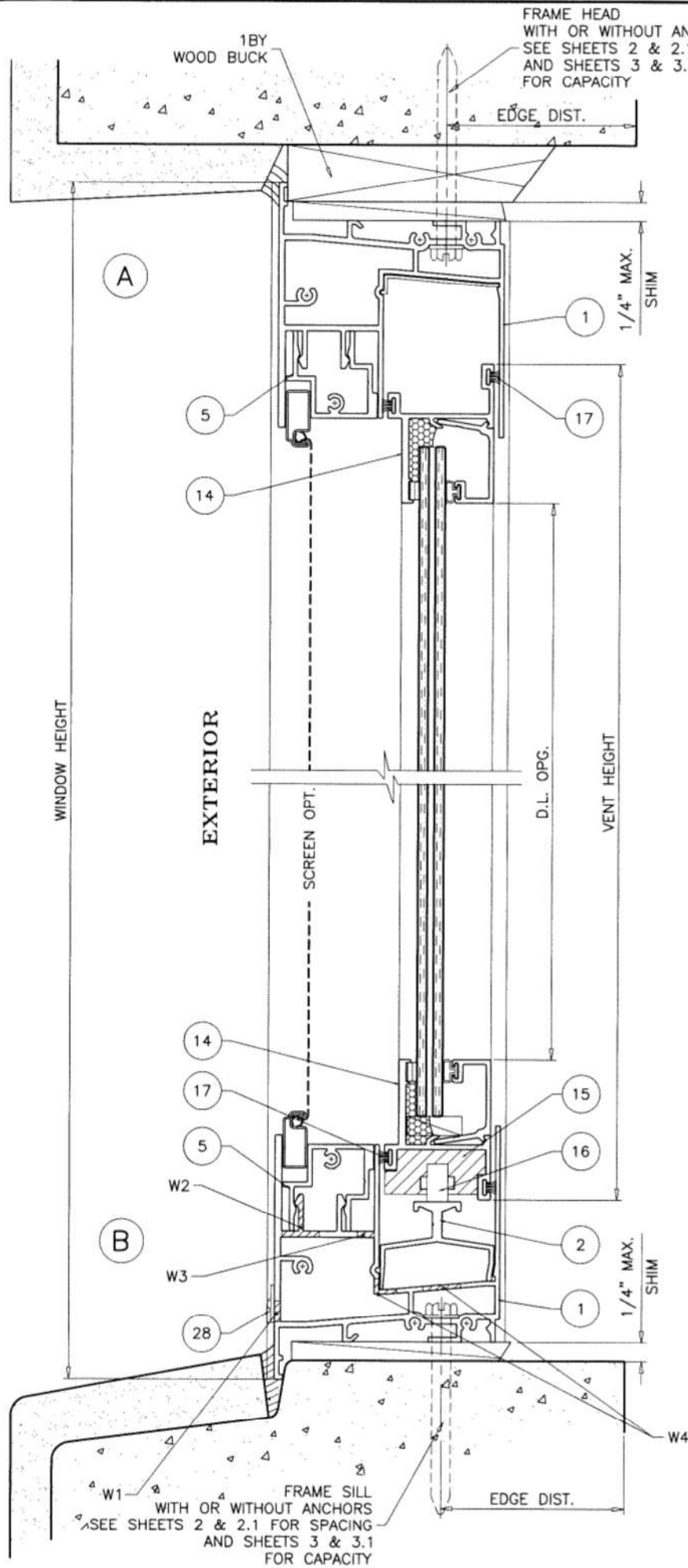


FL #46843

afc
AL-FAROOQ CORPORATION
 ENGINEERS & PRODUCT DEVELOPMENT
 9360 SUNSET DRIVE, SUITE 220
 MIAMI, FLORIDA 33173 (C.A.N. 3538)
 TEL. (305) 264-8100 FAX. (305) 262-6978
 COMP-ANL\24-29F-SWM

GRANDEUR SERIES-2023 ALUM H.R. WDW. (L.M.I.)
Sunshine Windows Manufacturing, Inc.
 1785 West 33rd Place
 Hialeah, FL. 33012
 Tel. (305) 364-9952 Fax. (305) 828-5118

revisions:	no	date	by	description
date:	05-09-24			
scale:	-			
dr. by:	TARIQ			
chk. by:				
drawing no.	24-29F			
sheet	4 of 12			



WEEPHOLES:

- W1 = 3/8" X 1-5/8" LONG WEEP SLOTS WITH PLASTIC BAFFLE
(2) PER VENT AT 22" O.C. MAX.
- W2 = 3/8" X 1" LONG WEEP SLOTS IN PAIRS AT 3" APART
(2) PAIRS PER VENT AT 20" O.C. MAX.
- W3 = 3/8" X 1" LONG WEEP SLOTS IN PAIRS AT 3" APART
(2) PAIRS PER VENT AT 20" O.C. MAX.
- W4 = 3/16" X 1-1/2" LONG WEEP SLOTS
(1) PER VENT AT 3" FROM END
(2) IN PAIRS AT 7" APART AT 26" FROM ENDS

Sealed: 8/11/2025



FL #46843

afc

AL-FAROOQ CORPORATION
ENGINEERS & PRODUCT DEVELOPMENT
9360 SUNSET DRIVE, SUITE 220
MIAMI, FLORIDA 33173 (C.A.N. 3538)
TEL. (305) 264-8100 FAX. (305) 262-6978
COMP-ANL\24-29F-SWM

GRANDEUR SERIES-2023 ALUM H.R. WDW. (L.M.I.)
Sunshine Windows Manufacturing, Inc.
1785 West 33rd Place
Hialeah, FL. 33012
Tel. (305) 364-9952 Fax. (305) 828-5118

revisions:	
no	date by description

date: 05-09-24	scale: 1/2" = 1"	dr. by: TARIQ	chk. by:
drawing no.			
24-29F			
sheet 5 of 12			

WOOD BUCKS AND METAL STRUCTURE NOT BY 'SUNSHINE WDWS.' MUST SUSTAIN LOADS IMPOSED BY GLAZING SYSTEM AND TRANSFER THEM TO THE BUILDING STRUCTURE.

TYPICAL ANCHORS: SEE ELEV. FOR SPACING

1/4" DIA. ULTRACON+ BY 'DEWALT' (Fu=164 KSI, Fy=148 KSI)
 INTO 2BY WOOD BUCKS OR WOOD STRUCTURES
 1-1/2" MIN. PENETRATION INTO WOOD (HEAD/SILL/JAMBS)
 THRU 1BY BUCKS INTO CONC. OR BLOCKS
 1-1/4" MIN. EMBED INTO CONCRETE (HEAD/SILL/JAMBS)
 1-1/4" MIN. EMBED INTO BLOCKS (JAMBS)

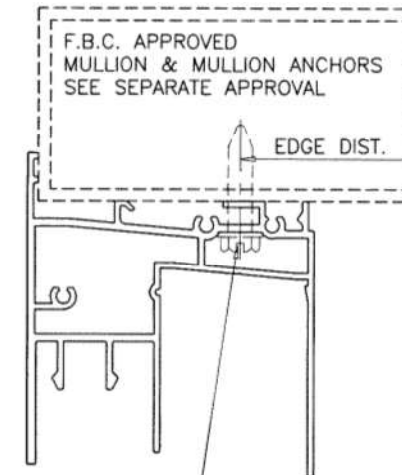
DIRECTLY INTO CONCRETE OR BLOCKS
 1-1/4" MIN. EMBED INTO CONCRETE (HEAD/SILL/JAMBS)
 1-1/4" MIN. EMBED INTO BLOCKS (JAMBS)

1/4" DIA. TEKS OR SELF DRILLING SCREWS (GRADE 5 CRS)
 INTO F.B.C. APPROVED MULLIONS
 OR
 INTO METAL STRUCTURES (HEAD/SILL/JAMBS)
 (3) THREADS MIN. TO EXTEND BEYOND METAL THICKNESS
 ALUMINUM: 1/8" THK. MIN. (6063-T5 MIN.)
 STEEL: 1/8" THK. MIN. (Fy = 36 KSI MIN.)
 (STEEL IN CONTACT WITH ALUMINUM TO BE PLATED OR PAINTED)

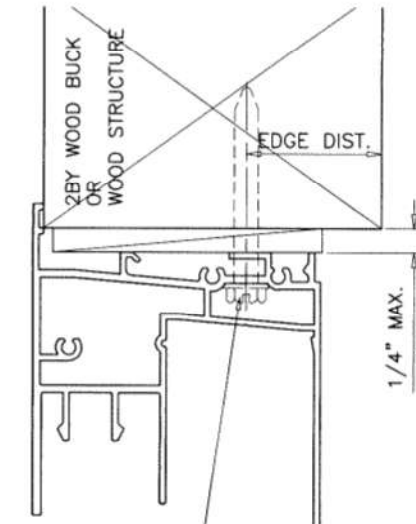
TYPICAL EDGE DISTANCE

INTO CONCRETE AND BLOCKS = 2-1/2" MIN.
 INTO WOOD STRUCTURE = 1" MIN.
 INTO METAL STRUCTURE = 3/4" MIN.

WOOD AT HEAD, SILL OR JAMBS SG = 0.55 MIN.
 CONCRETE AT HEAD, SILL OR JAMBS f'c = 3000 PSI MIN.
 C-90 HOLLOW/FILLED BLOCK AT JAMBS f'm = 2000 PSI MIN.

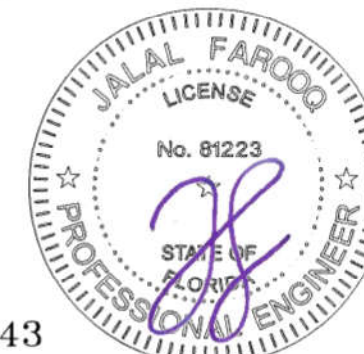


FRAME HEAD WITH OR WITHOUT ANCHORS
 SEE SHEETS 2 & 2.1 FOR SPACING
 AND SHEETS 3 & 3.1 FOR CAPACITY



FRAME HEAD WITH OR WITHOUT ANCHORS
 SEE SHEETS 2 & 2.1 FOR SPACING
 AND SHEETS 3 & 3.1 FOR CAPACITY

Sealed: 8/11/2025



FL #46843

afc

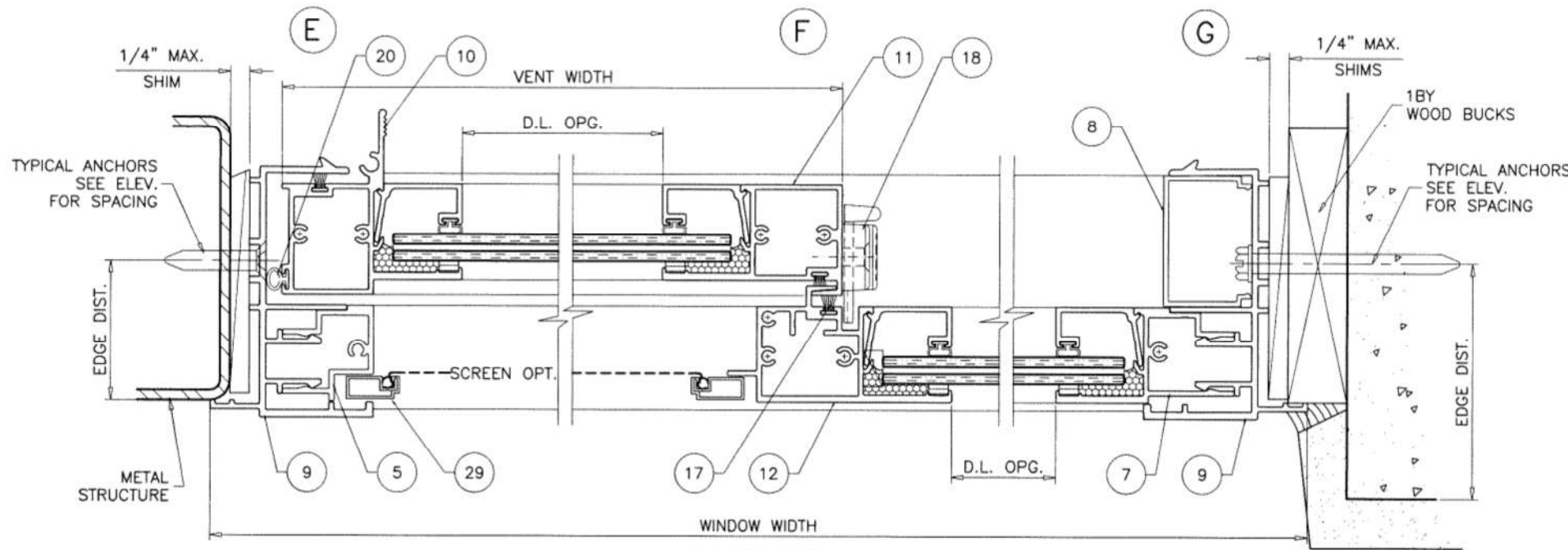
AL-FAROOQ CORPORATION
 ENGINEERS & PRODUCT DEVELOPMENT
 9360 SUNSET DRIVE, SUITE 220
 MIAMI, FLORIDA 33173 (C.A.N. 3538)
 TEL. (305) 264-8100 FAX. (305) 262-6978
 COMP-ANL\24-29F-SWM

GRANDEUR SERIES-2023 ALUM H.R. WDW. (L.M.I.)
Sunshine Windows Manufacturing, Inc.
 1785 West 33rd Place
 Hialeah, FL. 33012
 Tel. (305) 364-9952 Fax. (305) 828-5118

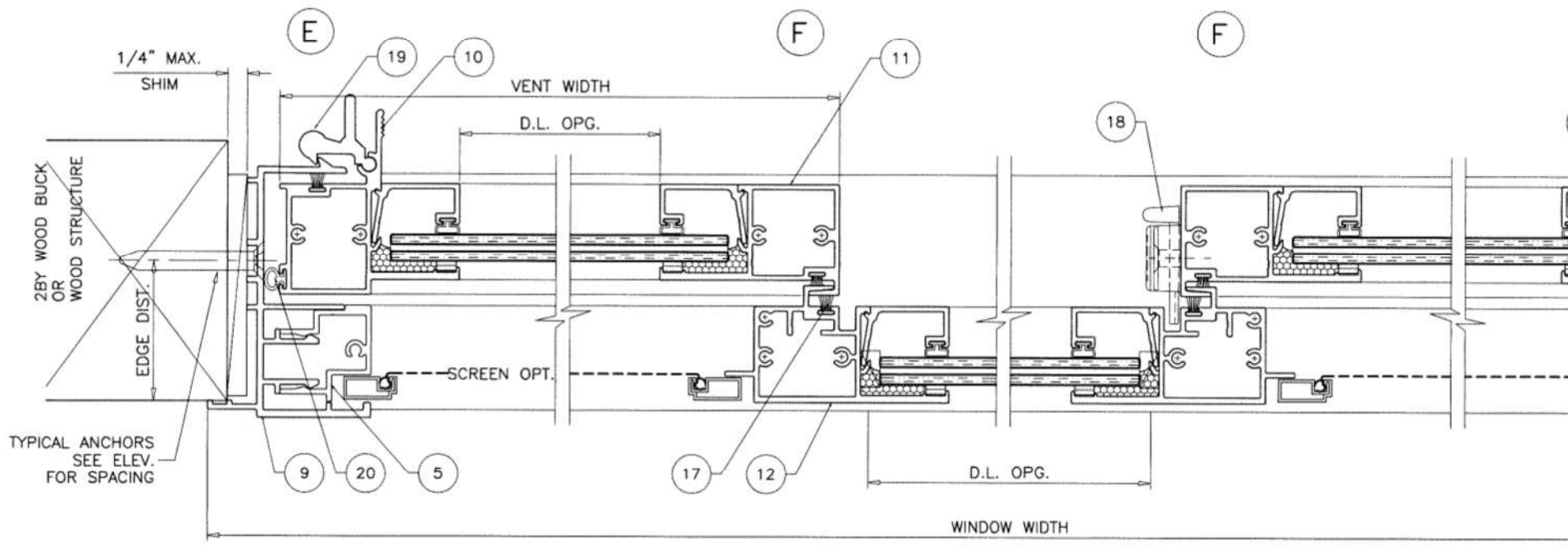
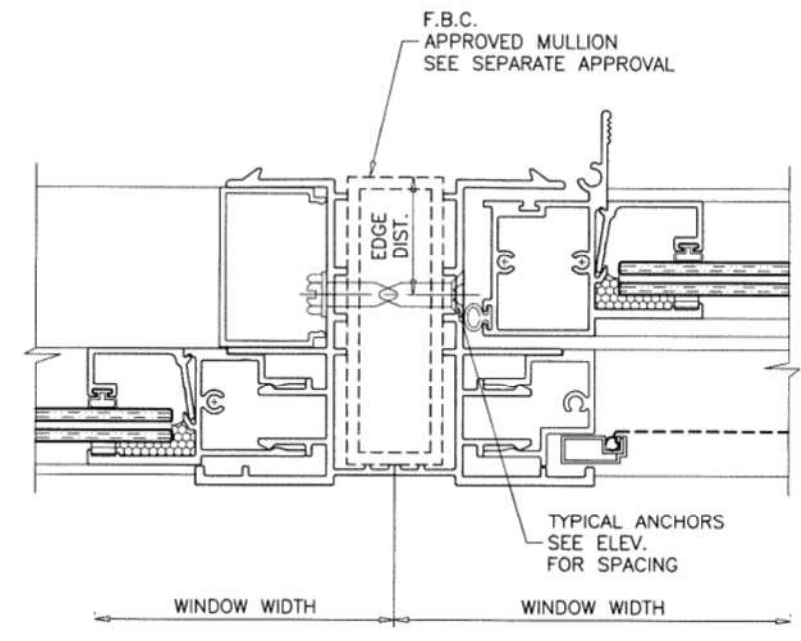
no	date	by	description

date: 05-09-24
 scale: 1/2" = 1"
 dr. by: TARIQ
 chk. by:

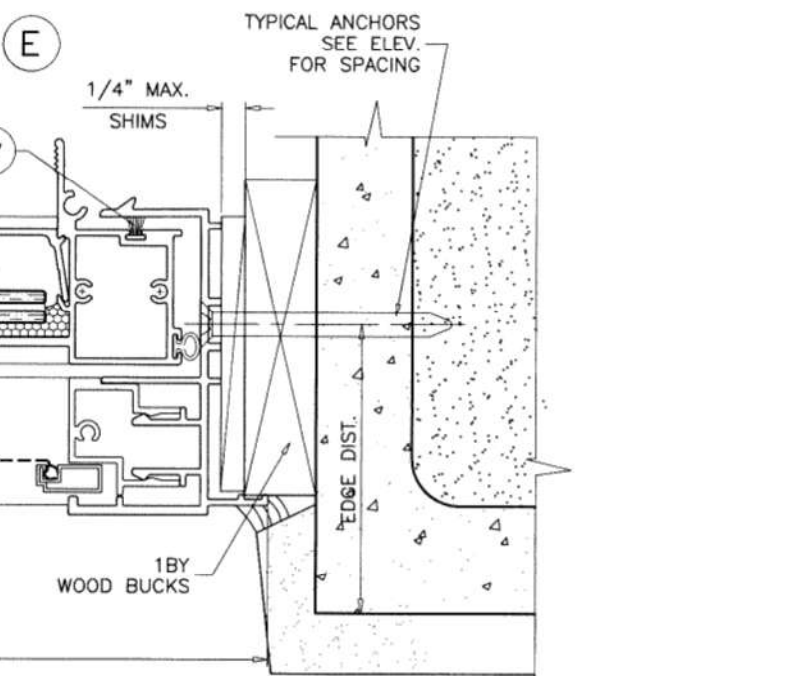
drawing no.
24-29F
 sheet 6 of 12



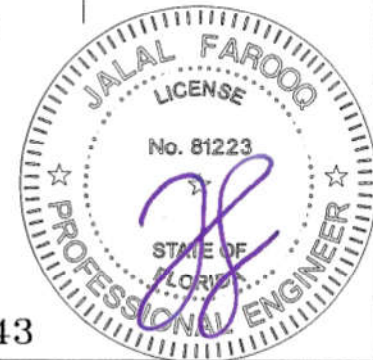
XO LAYOUT



XOX LAYOUT



Sealed: 8/11/2025



FL #46843

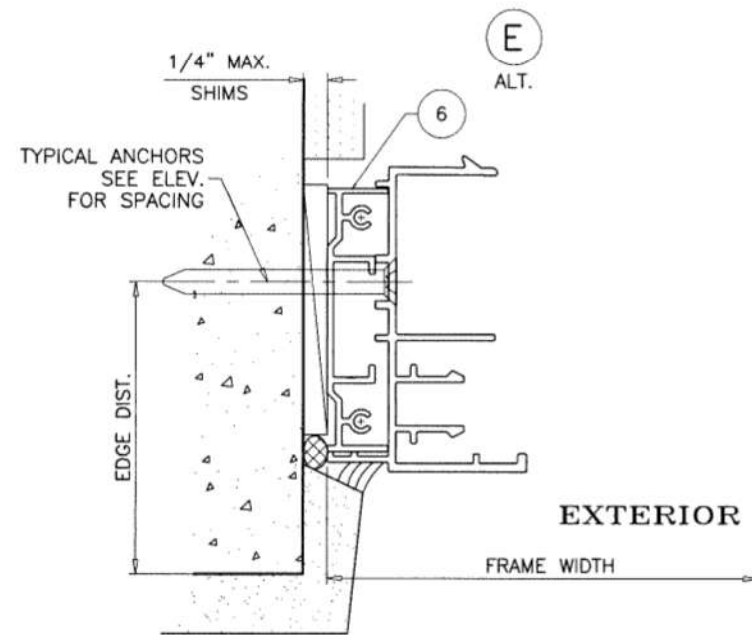
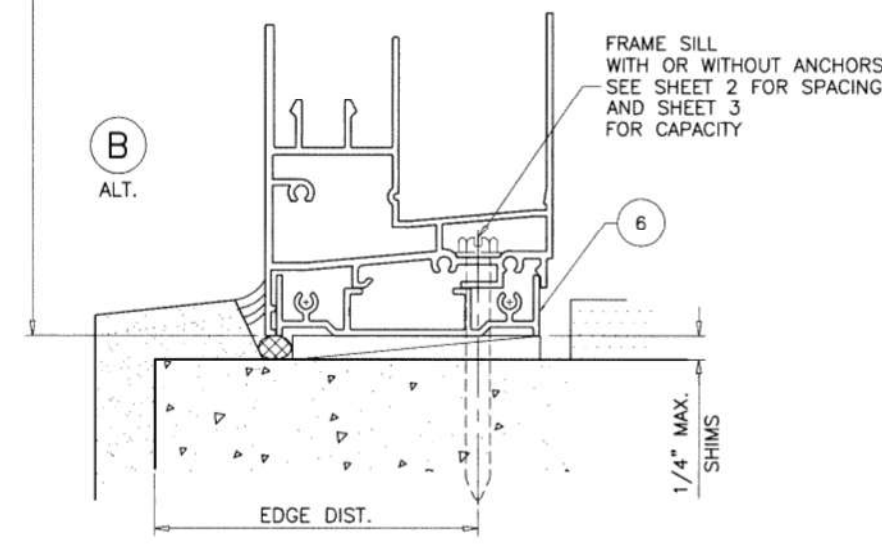
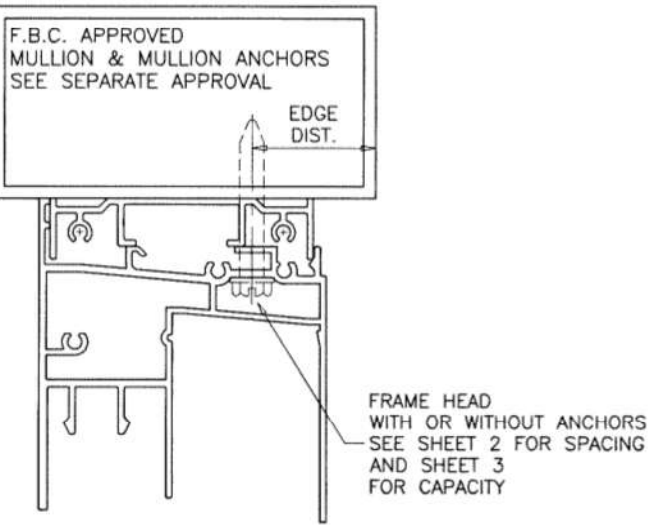
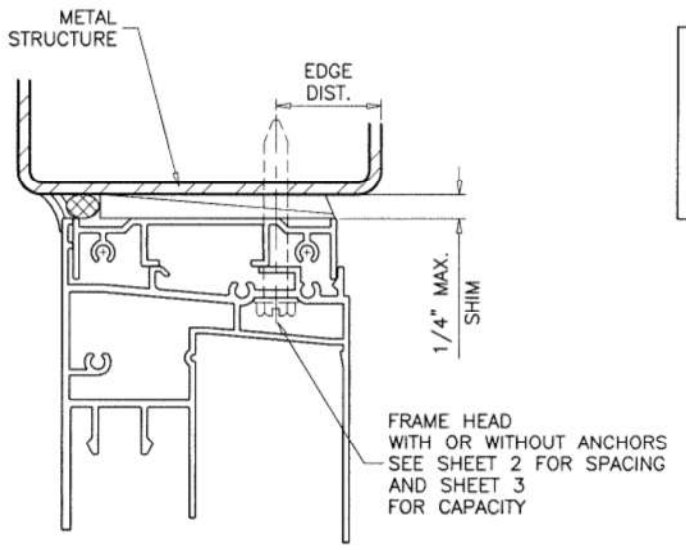
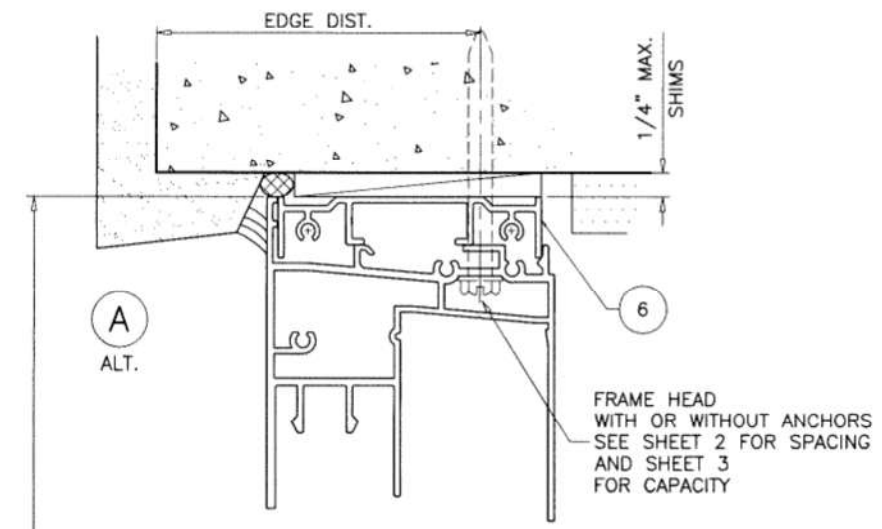
afc
AL-FAROOQ CORPORATION
 ENGINEERS & PRODUCT DEVELOPMENT
 9360 SUNSET DRIVE, SUITE 220
 MIAMI, FLORIDA 33173 (C.A.N. 3538)
 TEL. (305) 264-8100 FAX. (305) 262-6978
 COMP-ANL\24-29F-SWM

GRANDEUR SERIES-2023 ALUM H.R. WDW. (L.M.I.)
Sunshine Windows Manufacturing, Inc.
 1785 West 33rd Place
 Hialeah, FL. 33012
 Tel. (305) 364-9952 Fax. (305) 828-5118

no	date	description

date: 05-09-24
 scale: 1/2" = 1"
 dr. by: TARIQ
 chk. by:
 drawing no. 24-29F
 sheet 7 of 12

FRAME HEIGHT
EXTERIOR



Sealed: 8/11/2025

FLANGE FRAMES WITH EQUAL LEG ADAPTERS
SEE SHEETS 5 & 7 FOR WINDOW DETAILS

FL #46843



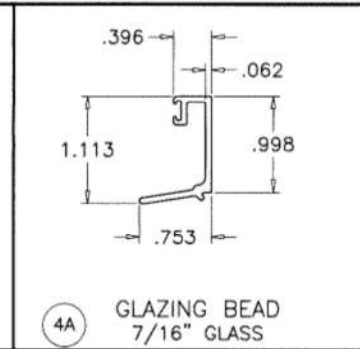
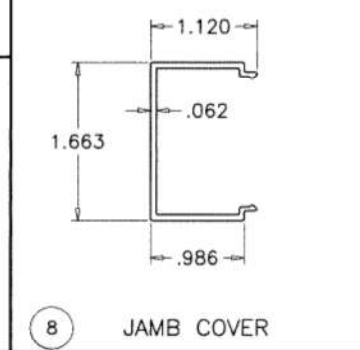
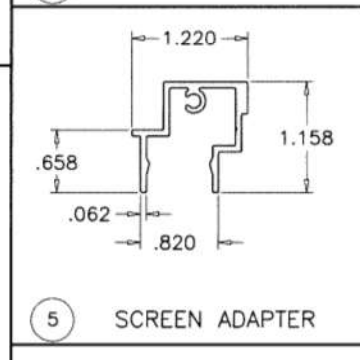
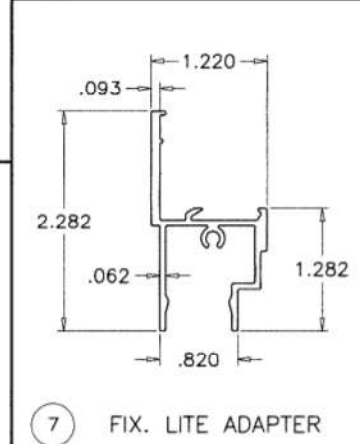
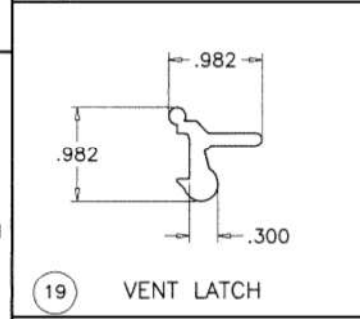
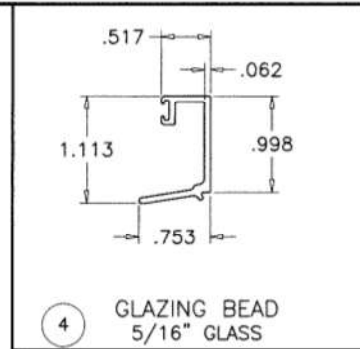
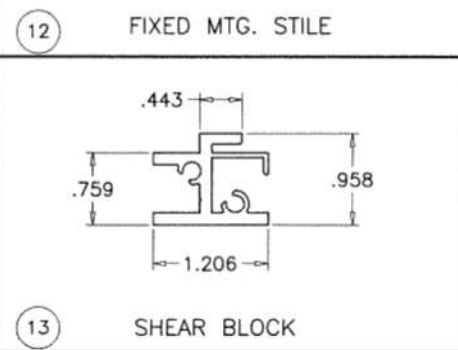
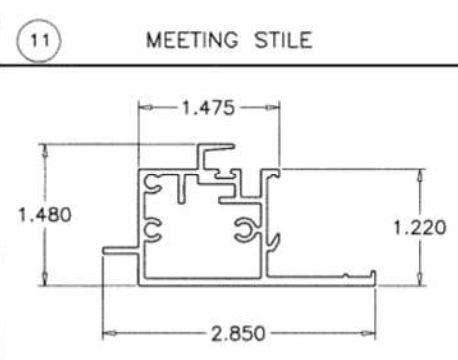
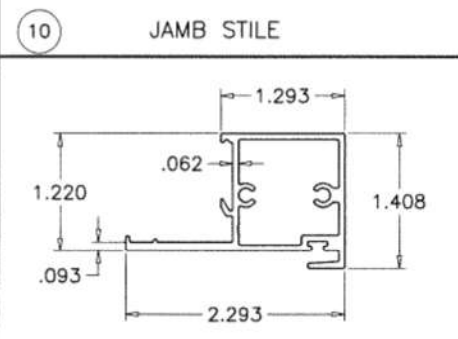
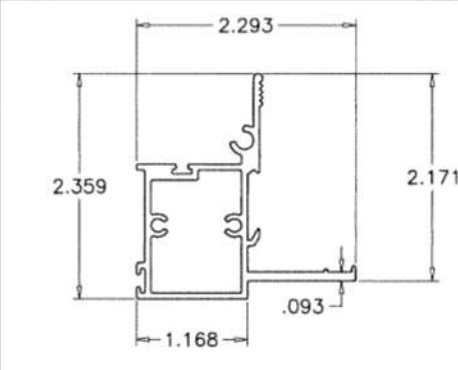
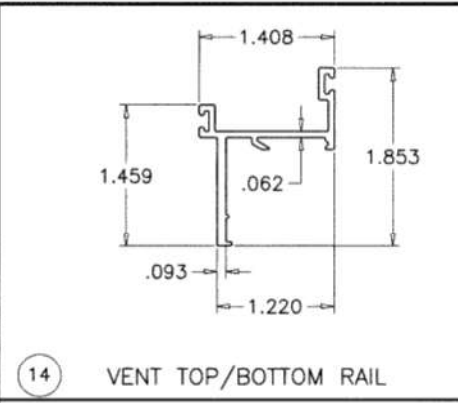
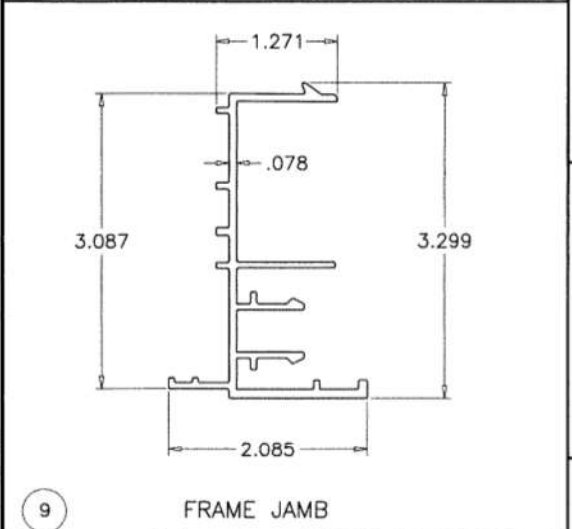
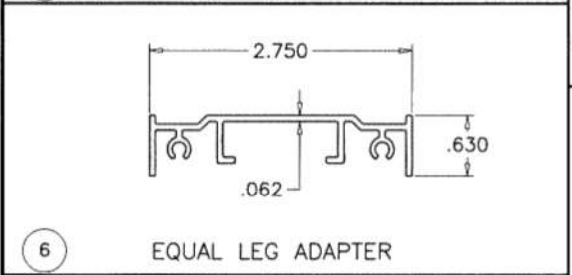
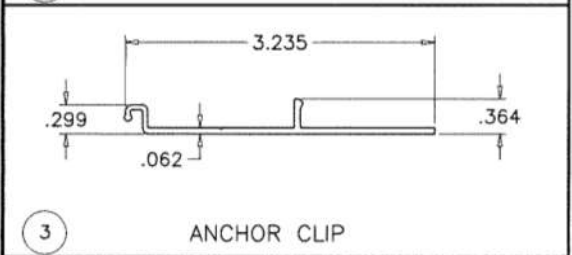
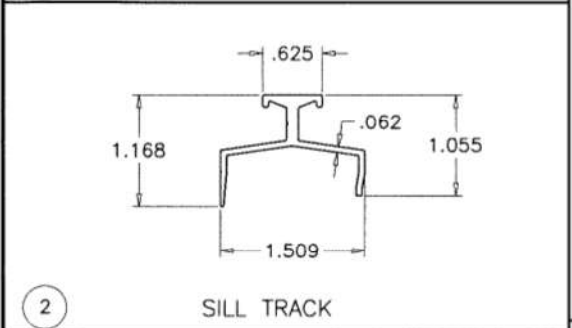
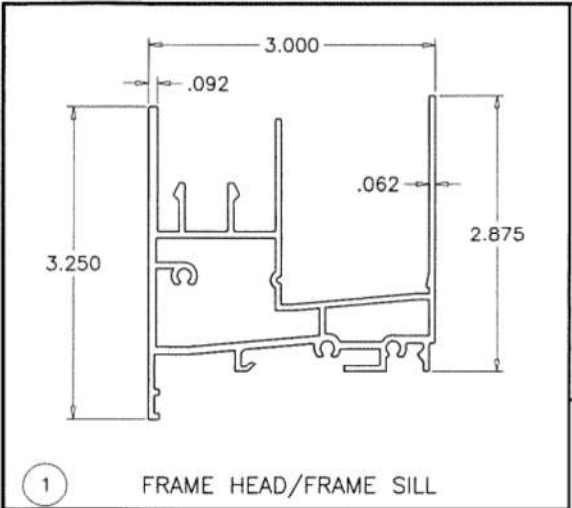
afc
AL-FAROOQ CORPORATION
ENGINEERS & PRODUCT DEVELOPMENT
9360 SUNSET DRIVE, SUITE 220
MIAMI, FLORIDA 33173 (C.A.N. 3538)
TEL. (305) 264-8100 FAX. (305) 262-6978
COMP-ANL\24-29F-SWM

GRANDEUR SERIES-2023 ALUM H.R. WDW. (L.M.I.)
Sunshine Windows Manufacturing, Inc.
1785 West 33rd Place
Hialeah, FL. 33012
Tel. (305) 364-9952 Fax. (305) 828-5118

no.	date	description

date: 05-09-24
scale: 1/2" = 1"
dr. by: TARIQ
chk. by:

drawing no.
24-29F
sheet 8 of 12



af c
AL-FAROOQ CORPORATION
 ENGINEERS & PRODUCT DEVELOPMENT
 9360 SUNSET DRIVE, SUITE 220 (C.A.N. 3538)
 MIAMI, FLORIDA 33173 FAX. (305) 262-6978
 TEL. (305) 264-8100

GRANDEUR SERIES-2023 ALUM H.R. WDW. (L.M.I.)
Sunshine Windows Manufacturing, Inc.
 1785 West 33rd Place
 Hialeah, FL. 33012
 Tel. (305) 364-9952 Fax. (305) 828-5118

revisions:	
no.	date by description

date: 05-09-24
 scale: 1/2" = 1"
 dr. by: TARIQ
 chk. by:

drawing no.
24-29F
 sheet 10 of 12

Sealed: 8/11/2025



FL #46843

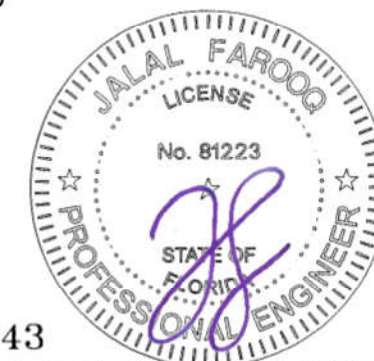
COMP-ANL\24-29F-SWM

ITEM	PART #	QUANTITY	DESCRIPTION	MATERIAL	MANF./SUPPLIER/REMARKS
1	SSW-094	2	FRAME HEAD/SILL	6063-T6	-
2	SSW-095	1	SILL TRACK	6063-T6	-
3	SSW-098	AS REQD.	ANCHOR CLIP, 6" LONG	6063-T6	-
4	SSW-066	AS REQD.	GLAZING BEAD (5/16" LAM. GLASS)	6063-T6	-
4A	TGOC-3669	AS REQD.	GLAZING BEAD (7/16" LAM. GLASS)	6063-T6	-
5	SSW-064	AS REQD.	SCREEN ADAPTER	6063-T6	-
6	SSW-069	AS REQD.	EQUAL LEG ADAPTER	6063-T6	-
7	SSW-063	AS REQD.	FIX. LITE ADAPTER	6063-T6	-
8	SSW-097	AS REQD.	JAMB COVER	6063-T6	-
9	SSW-101	2	FRAME JAMB	6063-T6	-
10	SSW-100	AS REQD.	JAMB STILE	6063-T6	-
11	SSW-060	AS REQD.	MEETING STILE	6063-T6	-
12	SSW-059	AS REQD.	FIXED MTG. STILE	6063-T6	-
13	SSW-096	2/ FIX. STILE	SHEAR BLOCK, 3" LONG	6063-T6	-
14	SSW-065	AS REQD.	VENT TOP/BOTTOM RAIL	6063-T6	-
15	ATP #060	2/ VENT	DOUBLE WHEEL HOUSING AT 1-1/2" FROM ENDS	PLASTIC	-
16	HRA-5241-1	-	WHEEL	ST. STEEL	-
17	W33191NK000B	AS REQD.	FIN SEAL W'STRIPPING	POLYPROPYLENE	ULTRAFAB
18	SL208-BKR/WHR	2/ VENT	SWEEP LOCK, 11" FROM EACH END	ZINC/STEEL	-
18A	#8 X 1/2"	2/ LOCK	LOCK FASTENERS	CRS	FH SMS
19	LL-900	2/ VENT	VENT LATCH WITH S/S SPRING, AT 11" FROM EACH END	ALUMINUM	-
20	MPI/ PN 83002	AS REQD.	BULB SEAL W'STRIPPING	TPV/POLYPROPYLENE	MELTPOINT, DUROMETER 65±5
21	MPI P/N 83010	AS REQD.	GLAZING BEAD BULB	TPV/POLYPROPYLENE	MELTPOINT
22	750	AS REQD.	1/4" X 1/4" DOUBLE FACE GLAZING TAPE	PE FOAM	ZIALOC
24	#8 X 1"	AS REQD.	FRAME/VENT ASSEMBLY SCREWS	CRS	PH SMS
25	#14 X 4"	AS REQD.	FIX. STILE FASTENERS	CRS	PH SMS
26	#6 X 3/8"	AS REQD.	SHEAR BLOCK FASTENERS	CRS	FH SMS
27	-	AS REQD.	SETTING BLOCKS AT 1/4 POINTS	EPDM	DUROMETER 80±5 SHORE A
28	ATP-054	AS REQD.	WEEP HOLE COVER	PLASTIC	-
29	-	1/ VENT	5/16" BOX SCREEN	-	OPTIONAL
30	-	-	-	-	-

SEALANT:

ALL JOINTS AND FRAME CONNECTIONS SEALED WITH SCHNEE MOREHEAD SM-5504 JOINT SEALER.

Sealed: 8/11/2025



FL #46843

afc
AL-FAROOQ CORPORATION
 ENGINEERS & PRODUCT DEVELOPMENT
 9360 SUNSET DRIVE, SUITE 220 (C.A.N. 3538)
 MIAMI, FLORIDA 33173 FAX. (305) 262-6978
 TEL. (305) 264-8100

GRANDEUR SERIES-2023 ALUM H.R. WDW. (L.M.I.)
Sunshine Windows Manufacturing, Inc.
 1785 West 33rd Place
 Hialeah, FL. 33012
 Tel. (305) 364-9952 Fax. (305) 828-5118

revisions:	no.	date	by	description
date:	05-09-24	scale:	1/2" = 1"	
dr. by:	TARIQ	chk. by:		
drawing no.	24-29F			
sheet	11 of 12			

COMP-ANL\24-29F-SWM

