

**GRANDEUR SERIES-2023**

**ALUMINUM HORIZONTAL ROLLING WINDOW**

DESIGN LOAD RATINGS FOR THESE WINDOWS TO BE AS PER CHARTS SHOWN ON SHEETS 3 & 4.

APPROVAL APPLIES TO SINGLE UNITS OR SIDE BY SIDE COMBINATIONS OF H.R./H.R. OR HORIZ. ROLLING WITH OTHER WINDOW TYPES IN MODULES OF TWO OR MORE WINDOWS USING F.B.C. APPROVED MULLIONS IN BETWEEN.

LOWER DESIGN PRESSURE FROM WINDOWS OR MULLION APPROVAL WILL APPLY TO ENTIRE SYSTEM.

THIS PRODUCT HAS BEEN DESIGNED AND TESTED TO COMPLY WITH THE REQUIREMENTS OF THE 2023 (8TH EDITION) FLORIDA BUILDING CODE INCLUDING HIGH VELOCITY HURRICANE ZONE (HVHZ).

1BY OR 2BY WOOD BUCKS & BUCK FASTENERS BY OTHERS, MUST BE DESIGNED AND INSTALLED ADEQUATELY TO TRANSFER APPLIED PRODUCT LOADS TO THE BUILDING STRUCTURE.

ANCHORS SHALL BE CORROSION RESISTANT, SPACED AS SHOWN ON DETAILS AND INSTALLED PER MANUF'S INSTRUCTIONS. SPECIFIED EMBEDMENT TO BASE MATERIAL SHALL BE BEYOND WALL DRESSING OR STUCCO.

A LOAD DURATION INCREASE IS USED IN DESIGN OF ANCHORS INTO WOOD ONLY.

ALL SHIMS TO BE HIGH IMPACT, NON-METALLIC AND NON-COMPRESSIBLE.

MATERIALS INCLUDING BUT NOT LIMITED TO STEEL/METAL SCREWS, THAT COME INTO CONTACT WITH OTHER DISSIMILAR MATERIALS SHALL MEET THE REQUIREMENTS OF THE 2023 FLORIDA BLDG. CODE & ADOPTED STANDARDS.

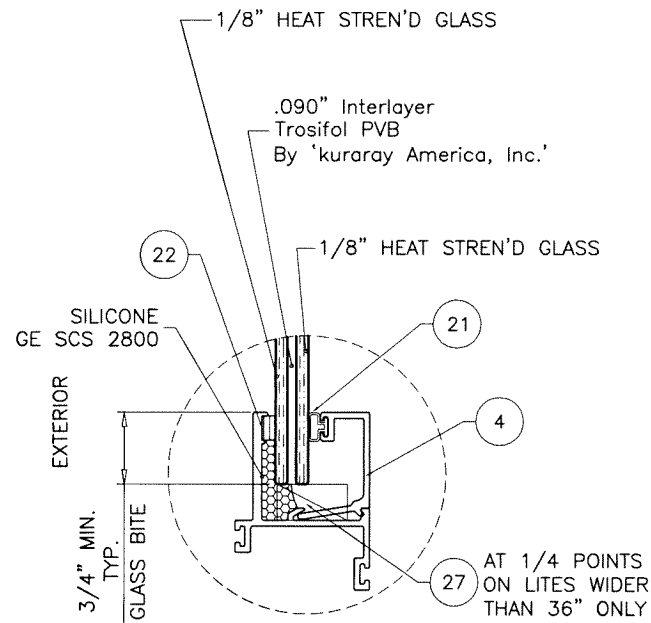
THIS PRODUCT APPROVAL IS GENERIC AND DOES NOT PROVIDE INFORMATION FOR A SITE SPECIFIC PROJECT, I.E. LIFE SAFETY OF THIS PRODUCT, ADEQUACY OF STRUCTURE RECEIVING THIS PRODUCT AND SEALING AROUND OPENING FOR WATER INFILTRATION RESISTANCE ETC.

CONDITIONS NOT SHOWN IN THIS DRAWING ARE TO BE ANALYZED SEPARATELY, AND TO BE REVIEWED BY BUILDING OFFICIAL.

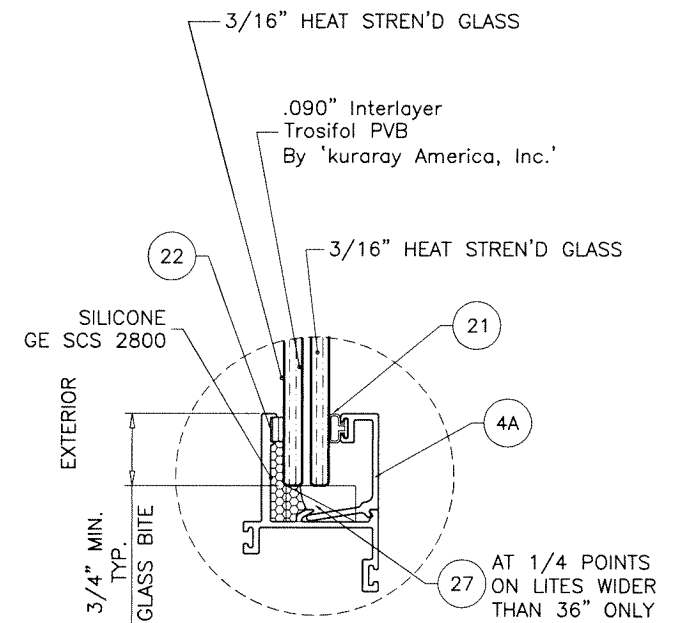
DESIGN LOADS SHOWN ARE BASED ON 'ALLOWABLE STRESS DESIGN (ASD)'.

MANUFACTURER'S LABEL SHALL BE LOCATED ON A READILY VISIBLE LOCATION IN ACCORDANCE WITH SECTION 1709.9.3 OF FLORIDA BUILDING CODE. LABELING TO COMPLY WITH SECTION 1709.9.2.

NOTE:  
GLASS CAPACITIES ARE BASED ON  
ASTM E1300-09 (3 SEC. GUSTS)  
AND FLORIDA BUILDING COMMISSION  
DECLARATORY STATEMENT DCA05-DEC-219



**GLASS TYPE 'A'**  
5/16" OVERALL LAM. GLASS



**GLASS TYPE 'B'**  
7/16" OVERALL LAM. GLASS

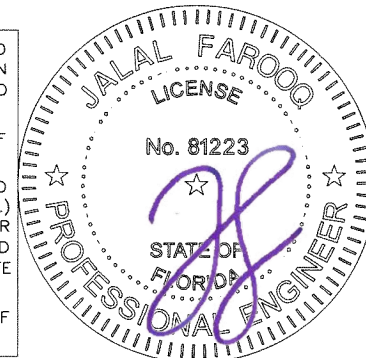
**GLAZING OPTIONS**

THESE WINDOWS ARE RATED FOR LARGE & SMALL MISSILE IMPACT. SHUTTERS ARE NOT REQUIRED.

Sealed: 2/6/2025

FL #46843

- A- CONTRACTOR TO BE RESPONSIBLE FOR THE SELECTION, PURCHASE AND INSTALLATION OF THIS PRODUCT BASED ON THIS PRODUCT EVALUATION PROVIDED HE/SHE DOES NOT DEVIATE FROM THE CONDITIONS DETAILED ON THIS DOCUMENT.
- B- THIS PRODUCT EVALUATION DOCUMENT WILL BE CONSIDERED INVALID IF ALTERED BY ANY MEANS.
- C- SITE SPECIFIC PROJECTS SHALL BE PREPARED BY A FLORIDA REGISTERED ENGINEER OR ARCHITECT WHICH WILL BECOME THE ENGINEER OF RECORD (E.O.R.) FOR THE PROJECT AND WHO WILL BE RESPONSIBLE FOR THE PROPER USE OF THE P.E.D. ENGINEER OF RECORD, ACTING AS A DELEGATED ENGINEER TO THE P.E.D. ENGINEER SHALL SUBMIT TO THIS LATTER THE SITE SPECIFIC DRAWINGS FOR REVIEW.
- D- THIS P.E.D. SHALL BEAR THE DATE AND ORIGINAL SEAL AND SIGNATURE OF THE PROFESSIONAL ENGINEER OF RECORD THAT PREPARED IT.



**af c**  
**AL-FAROOQ CORPORATION**  
ENGINEERS & PRODUCT DEVELOPMENT  
9360 SUNSET DRIVE, SUITE 220  
MIAMI, FLORIDA 33173 (C.A.N. 3538)  
TEL. (305) 264-8100 FAX. (305) 262-6978  
COMP-ANL\24-29F-SWM

GRANDEUR SERIES-2023 ALUM H.R. WDW. (L.M.I.)  
**Sunshine Windows Manufacturing, Inc.**  
1785 West 33rd Place  
Hialeah, FL. 33012  
Tel. (305) 364-9952 Fax. (305) 828-5118

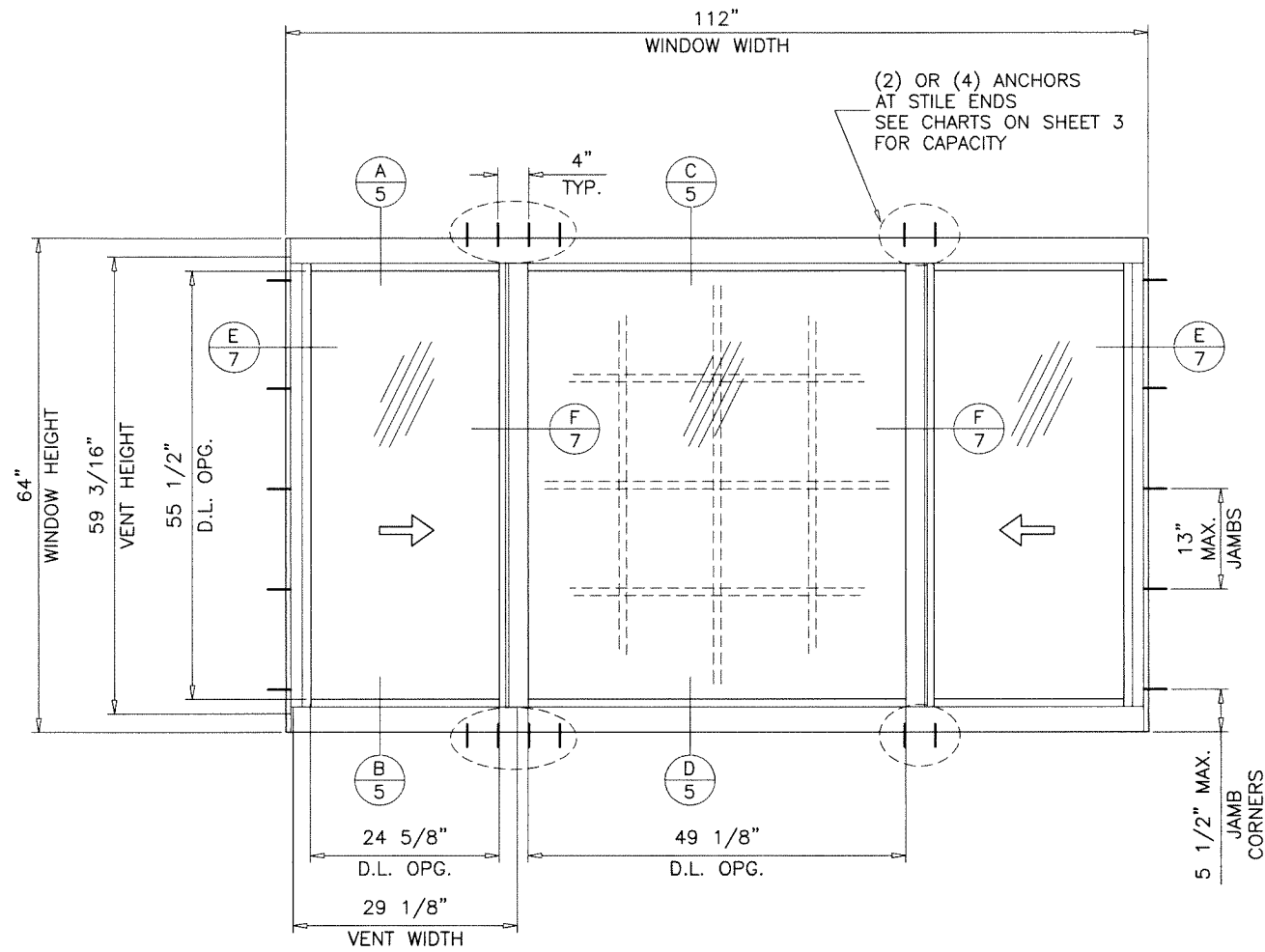
no	date	description
A	08.21.24	5/16" GLASS OPTION ADDED
B	01.10.25	HEAD/SILL W/O ANCHORS ADDED

revisions:

date: 05-09-24  
scale: 1/2" = 1"  
dr. by: TARIQ  
chk. by:

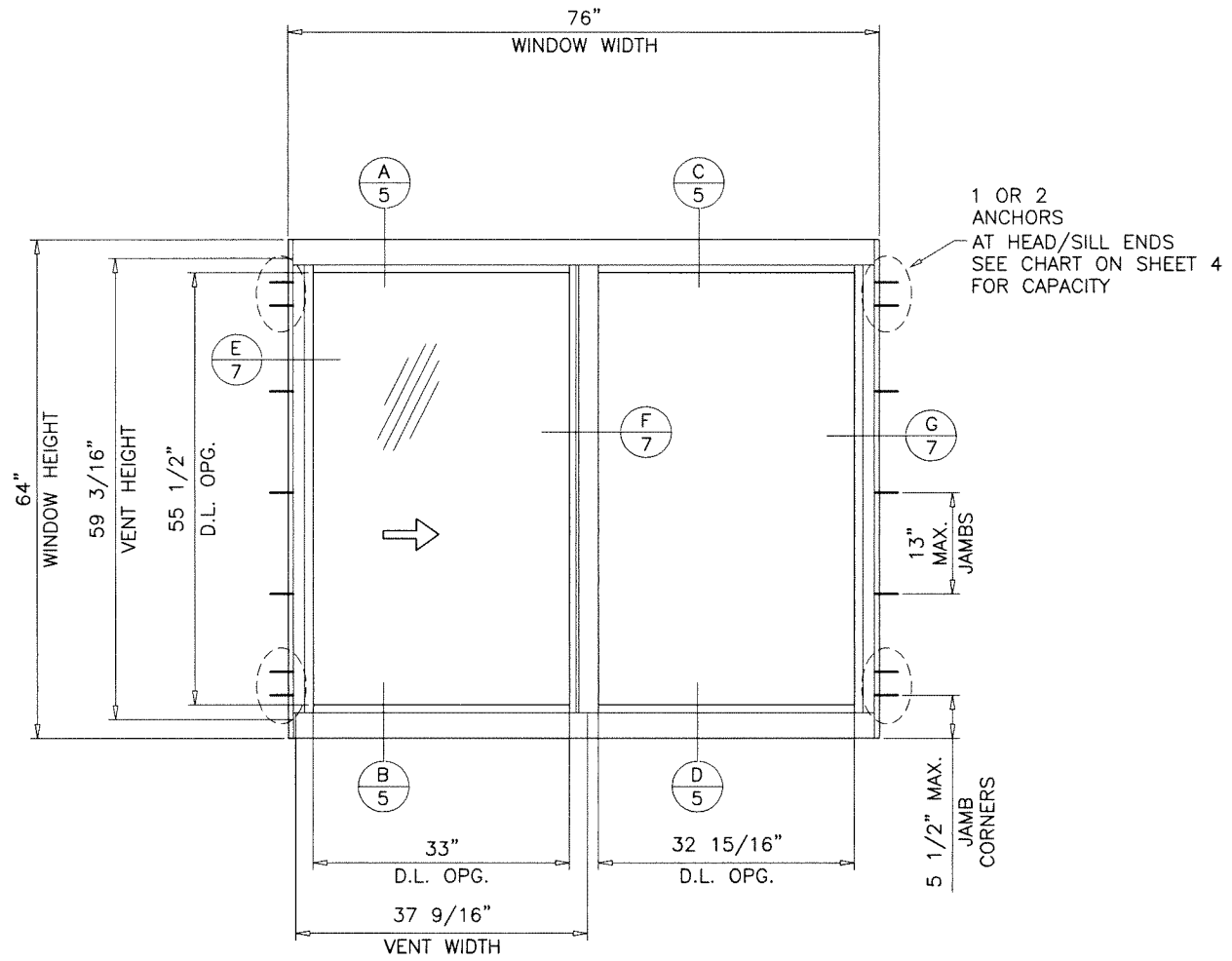
drawing no.  
**24-29F**

sheet 1 of 12



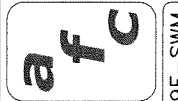
**TYPICAL ELEVATION (TESTED UNIT)**

ANCHORS REQD. AT HEAD AND SILL  
SEE SHEET 3 FOR CAPACITY AND SHEET 5 FOR DETAILS



**TYPICAL ELEVATION (TESTED UNIT)**

ANCHORS NOT REQD. AT HEAD AND SILL  
SEE SHEET 4 FOR CAPACITY



**AL-FAROOQ CORPORATION**  
ENGINEERS & PRODUCT DEVELOPMENT  
9360 SUNSET DRIVE, SUITE 220  
MIAMI, FLORIDA 33173 (C.A.N. 3538)  
TEL. (305) 264-8100 FAX. (305) 262-6978  
COMP-ANL\24-29F-SWM

GRANDEUR SERIES-2023 ALUM H.R. WDW. (L.M.I.)

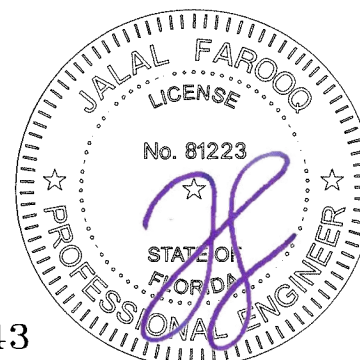
**Sunshine Windows Manufacturing, Inc.**  
1785 West 33rd Place  
Hialeah, FL 33012  
Tel. (305) 364-9952 Fax. (305) 828-5118

no	date	by	description

date: 05-09-24  
scale: 1/2" = 1'-0"  
dr. by: TARIQ  
chk. by:

drawing no.  
**24-29F**

sheet 2 of 12

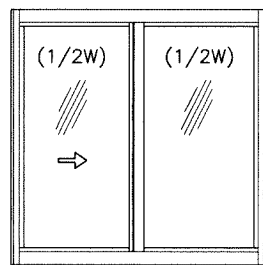


Sealed: 2/6/2025

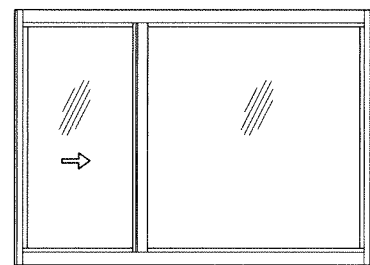
FL #46843



DESIGN LOAD CAPACITY - PSF (XO OR OX SIZES)				
WINDOW DIMS.		GLASS TYPES 'A' OR 'B'		NUMBER OF ANCHORS AT HEAD/SILL ENDS
WIDTH	HEIGHT	EXT.(+)	INT.(-)	
26-1/2"	26"	70.0	80.0	1
37"		70.0	80.0	1
53-1/8"		70.0	80.0	1
63"		70.0	80.0	1
74"		70.0	80.0	1
26-1/2"	38-3/8"	70.0	80.0	1
37"		70.0	80.0	1
53-1/8"		70.0	80.0	1
63"		70.0	80.0	2
74"		70.0	80.0	2
26-1/2"	50-5/8"	70.0	80.0	1
37"		70.0	80.0	1
53-1/8"		70.0	80.0	1
63"		70.0	80.0	2
74"		70.0	80.0	2
26-1/2"	56"	70.0	80.0	1
37"		70.0	80.0	1
53-1/8"		70.0	80.0	1
63"		70.0	80.0	2
74"		70.0	80.0	2
26-1/2"	64"	70.0	80.0	1
37"		70.0	80.0	1
53-1/8"		70.0	80.0	1
63"		70.0	80.0	2
74"		70.0	80.0	2
24"	60"	70.0	80.0	1
36"		70.0	80.0	1
48"		70.0	80.0	1
60"		70.0	80.0	2
72"		70.0	80.0	2
76"	70.0	80.0	2	
24"	64"	70.0	80.0	1
36"		70.0	80.0	1
48"		70.0	80.0	1
60"		70.0	80.0	2
72"		70.0	80.0	2
76"	70.0	80.0	2	



OPERATING VENTS TO BE 1/2 OF THE WDW. W.  
'XO OR OX'



OPERATING VENTS TO BE 1/3 OF THE WDW. W.  
'XO OR OX'

HEAD AND SILL ANCHORS NOT REQUIRED

Sealed: 2/6/2025



FL #46843



**AL-FAROOQ CORPORATION**  
ENGINEERS & PRODUCT DEVELOPMENT  
9360 SUNSET DRIVE, SUITE 220  
MIAMI, FLORIDA 33173 (C.A.N. 3538)  
TEL. (305) 264-8100 FAX. (305) 262-6978

GRANDEUR SERIES-2023 ALUM H.R. WDW. (L.M.I.)  
**Sunshine Windows Manufacturing, Inc.**  
1785 West 33rd Place  
Hialeah, FL. 33012  
Tel. (305) 364-9952 Fax. (305) 828-5118

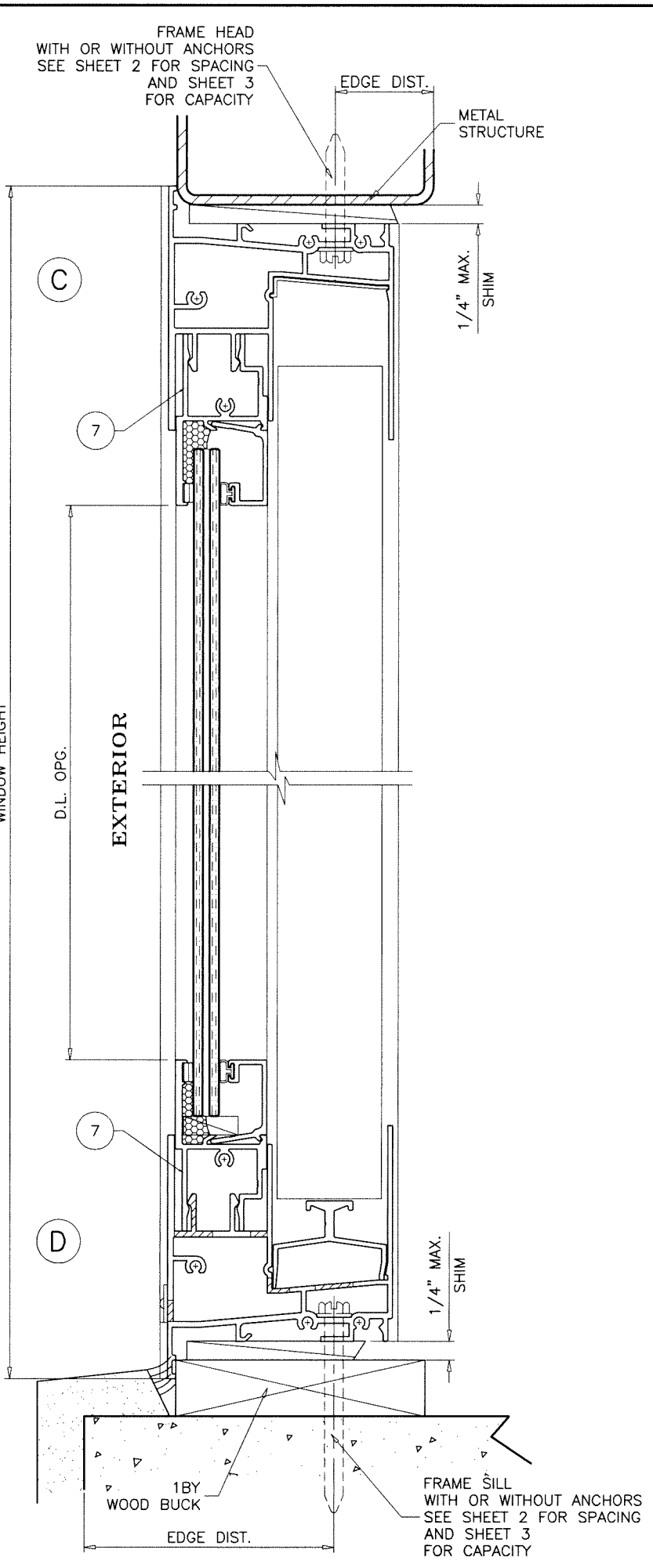
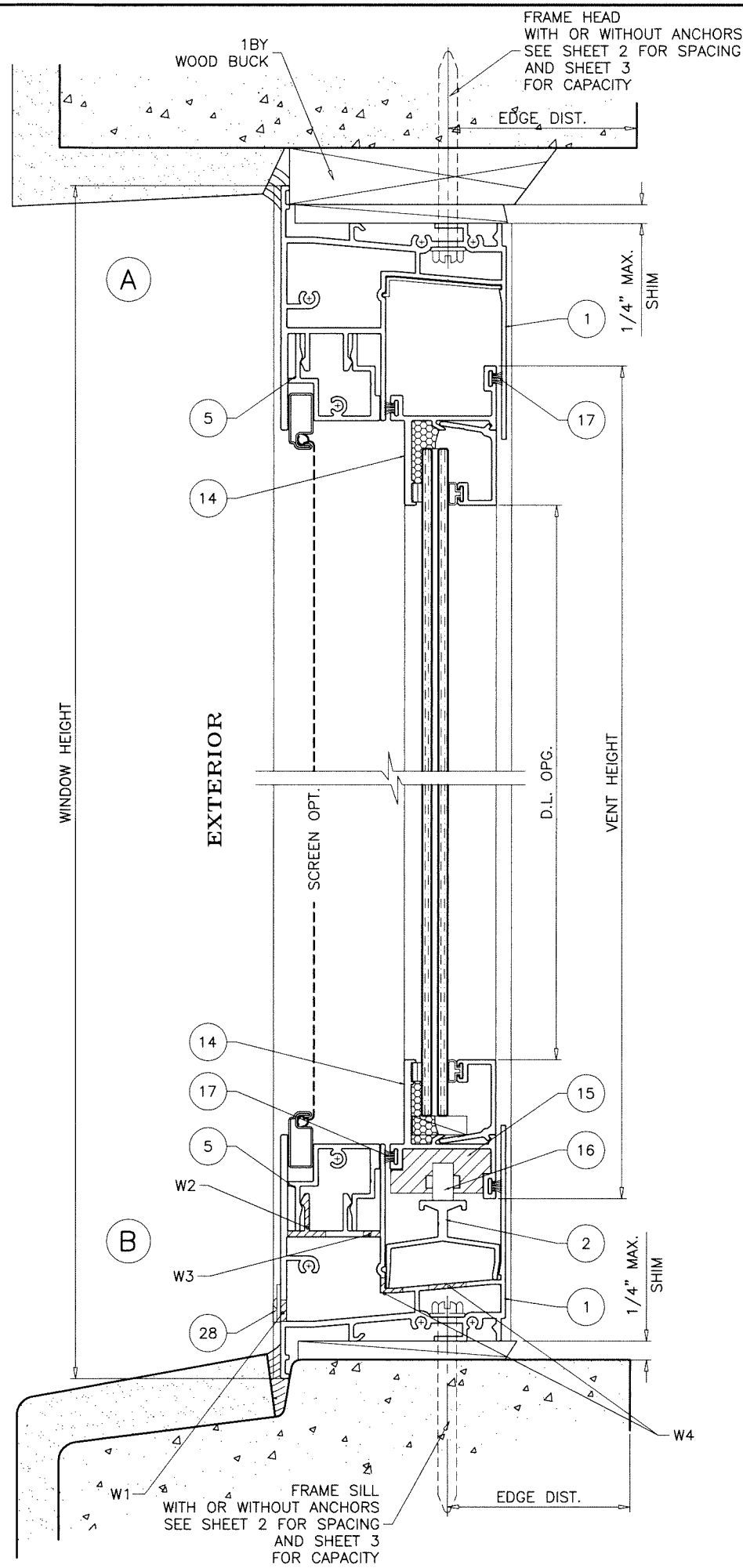
revisions:	no	date	by	description

date: 05-09-24  
scale: -  
dr. by: TARIQ  
chk. by:

drawing no.  
**24-29F**

sheet 4 of 12

COMP-ANL\24-29F-SWM

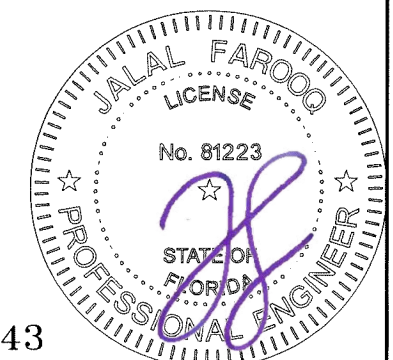


**WEEPHOLES:**

- W1 = 3/8" X 1-5/8" LONG WEEP SLOTS WITH PLASTIC Baffle (2) PER VENT AT 22" O.C. MAX.
- W2 = 3/8" X 1" LONG WEEP SLOTS IN PAIRS AT 3" APART (2) PAIRS PER VENT AT 20" O.C. MAX.
- W3 = 3/8" X 1" LONG WEEP SLOTS IN PAIRS AT 3" APART (2) PAIRS PER VENT AT 20" O.C. MAX.
- W4 = 3/16" X 1-1/2" LONG WEEP SLOTS (1) PER VENT AT 3" FROM END (2) IN PAIRS AT 7" APART AT 26" FROM ENDS

Sealed: 2/6/2025

FL #46843



**a f c**

**AL-FAROOQ CORPORATION**  
 ENGINEERS & PRODUCT DEVELOPMENT  
 9360 SUNSET DRIVE, SUITE 220  
 MIAMI, FLORIDA 33173 (C.A.N. 3538)  
 TEL. (305) 264-8100 FAX. (305) 262-6978  
 COMP-ANL\24-29F-SWM

---

GRANDEUR SERIES-2023 ALUM H.R. WDW. (L.M.I.)  
**Sunshine Windows Manufacturing, Inc.**  
 1785 West 33rd Place  
 Hialeah, FL. 33012  
 Tel. (305) 364-9952 Fax. (305) 828-5118

revisions:	
no	date by description

date: 05-09-24	scale: 1/2" = 1"	dr. by: TARIQ	chk. by:
drawing no. 24-29F			
sheet 5 of 12			

WOOD BUCKS AND METAL STRUCTURE NOT BY 'SUNSHINE WDWS.' MUST SUSTAIN LOADS IMPOSED BY GLAZING SYSTEM AND TRANSFER THEM TO THE BUILDING STRUCTURE.

**TYPICAL ANCHORS:** SEE ELEV. FOR SPACING

**1/4" DIA. ULTRACON+ BY 'DEWALT'** (Fu=164 KSI, Fy=148 KSI)  
 INTO 2BY WOOD BUCKS OR WOOD STRUCTURES  
 1-1/2" MIN. PENETRATION INTO WOOD (HEAD/SILL/JAMBS)

THRU 1BY BUCKS INTO CONC. OR BLOCKS  
 1-1/4" MIN. EMBED INTO CONCRETE (HEAD/SILL/JAMBS)  
 1-1/4" MIN. EMBED INTO BLOCKS (JAMBS)

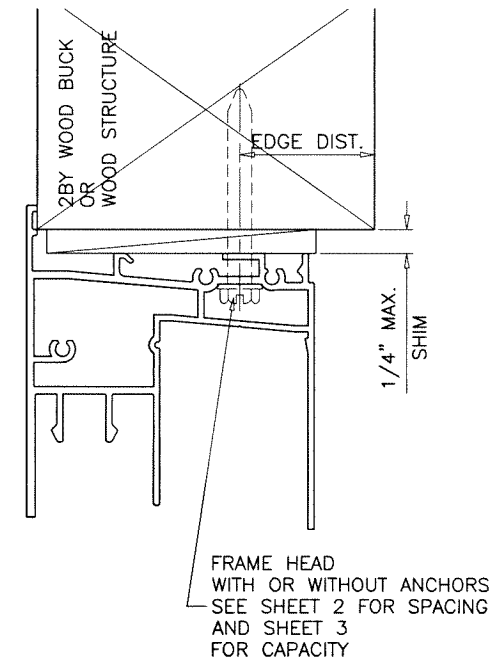
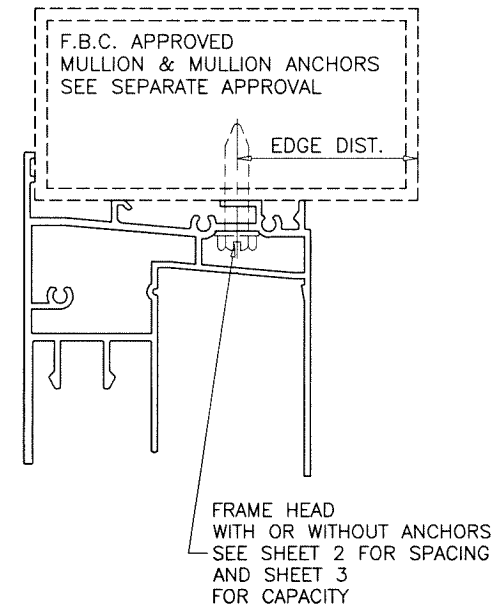
DIRECTLY INTO CONCRETE OR BLOCKS  
 1-1/4" MIN. EMBED INTO CONCRETE (HEAD/SILL/JAMBS)  
 1-1/4" MIN. EMBED INTO BLOCKS (JAMBS)

**1/4" DIA. TEKS OR SELF DRILLING SCREWS** (GRADE 5 CRS)  
 INTO F.B.C. APPROVED MULLIONS  
 OR  
 INTO METAL STRUCTURES (HEAD/SILL/JAMBS)  
 (3) THREADS MIN. TO EXTEND BEYOND METAL THICKNESS  
 ALUMINUM: 1/8" THK. MIN. (6063-T5 MIN.)  
 STEEL: 1/8" THK. MIN. (Fy = 36 KSI MIN.)  
 (STEEL IN CONTACT WITH ALUMINUM TO BE PLATED OR PAINTED)

**TYPICAL EDGE DISTANCE**

INTO CONCRETE AND BLOCKS = 2-1/2" MIN.  
 INTO WOOD STRUCTURE = 1" MIN.  
 INTO METAL STRUCTURE = 3/4" MIN.

WOOD AT HEAD, SILL OR JAMBS SG = 0.55 MIN.  
 CONCRETE AT HEAD, SILL OR JAMBS f'c = 3000 PSI MIN.  
 C-90 HOLLOW/FILLED BLOCK AT JAMBS f'm = 2000 PSI MIN.



Sealed: 2/6/2025

FL #46843



**AL-FAROOQ CORPORATION**  
 ENGINEERS & PRODUCT DEVELOPMENT  
 9360 SUNSET DRIVE, SUITE 220  
 MIAMI, FLORIDA 33173 (C.A.N. 3538)  
 TEL. (305) 264-8100 FAX. (305) 262-6978

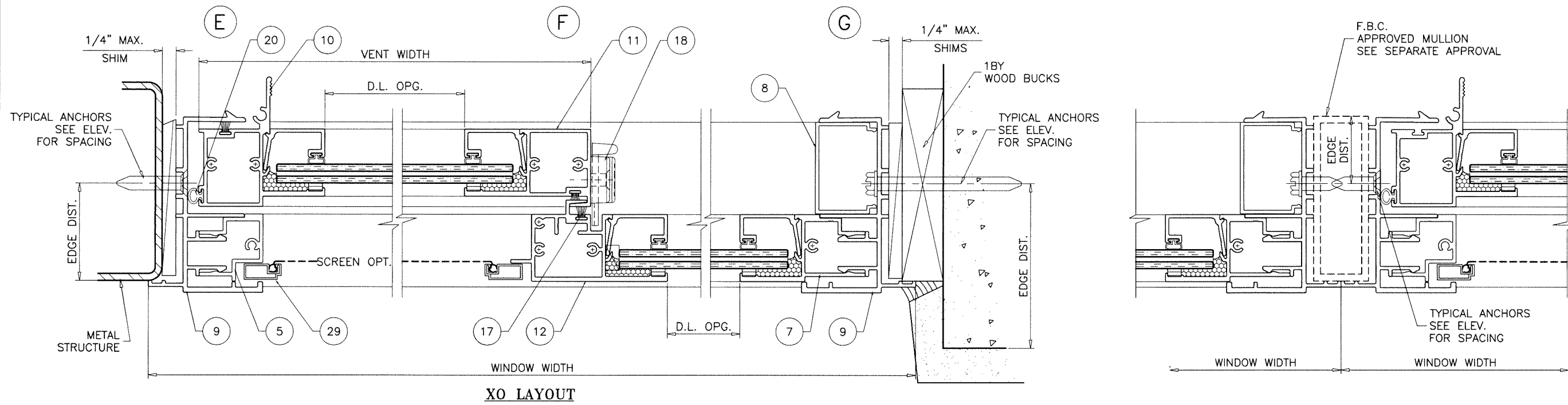
GRANDEUR SERIES-2023 ALUM H.R. WDW. (L.M.I.)  
**Sunshine Windows Manufacturing, Inc.**  
 1785 West 33rd Place  
 Hialeah, FL. 33012  
 Tel. (305) 364-9952 Fax. (305) 828-5118

revisions:	
no	date by description

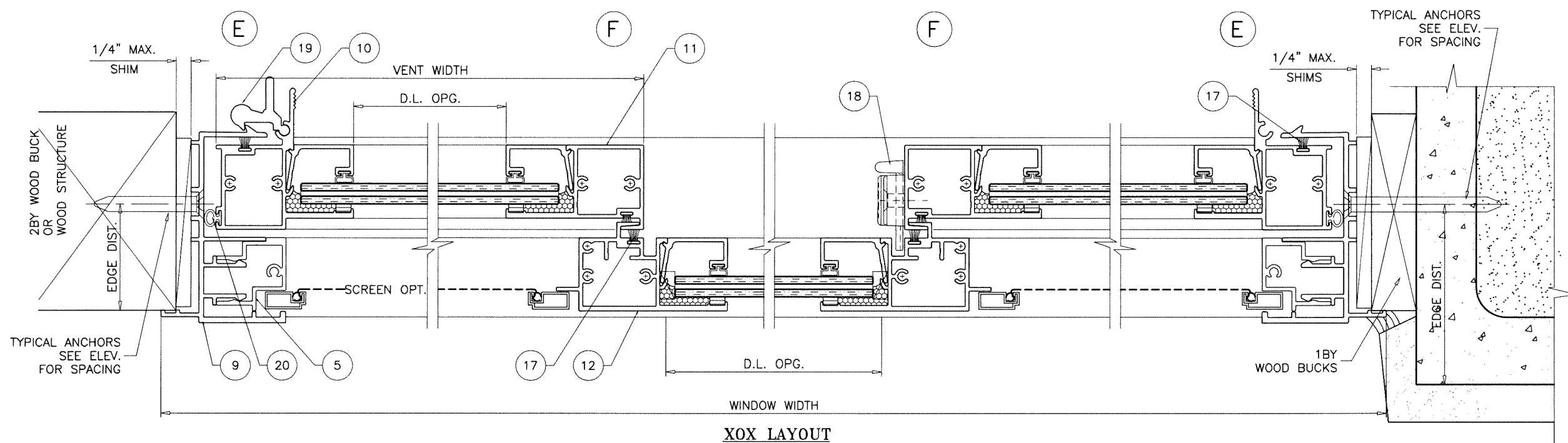
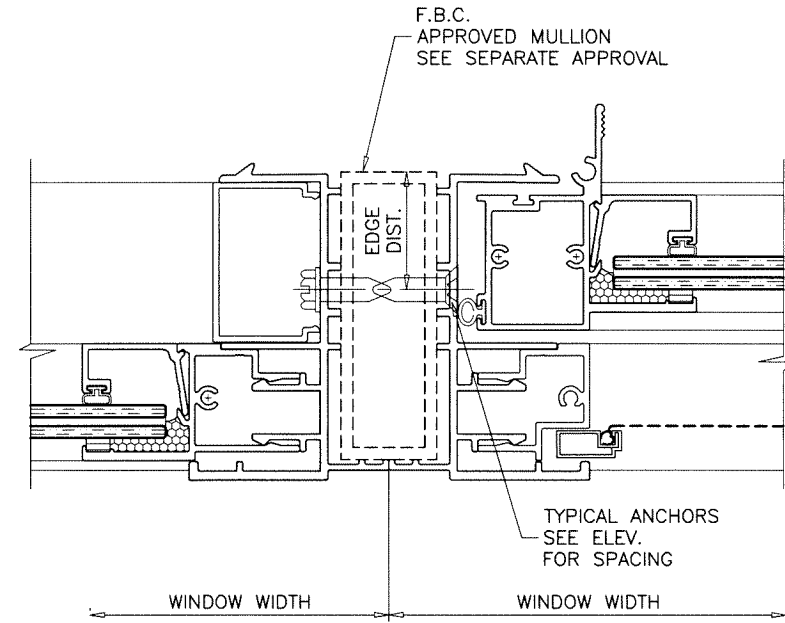
date: 05-09-24  
 scale: 1/2" = 1"  
 dr. by: TARIQ  
 chk. by:

drawing no.  
**24-29F**  
 sheet 6 of 12

COMP-ANL 24-29F-SWM



**XO LAYOUT**



**XOX LAYOUT**

**af c**  
**AL-FAROOQ CORPORATION**  
 ENGINEERS & PRODUCT DEVELOPMENT  
 9360 SUNSET DRIVE, SUITE 220  
 MIAMI, FLORIDA 33173 (C.A.N. 3538)  
 TEL. (305) 264-8100 FAX. (305) 262-6978  
 COMP-ANL 24-29F-SWM

GRANDEUR SERIES-2023 ALUM H.R. WDW. (L.M.I.)  
**Sunshine Windows Manufacturing, Inc.**  
 1785 West 33rd Place  
 Hialeah, FL. 33012  
 Tel. (305) 364-9952 Fax. (305) 828-5118

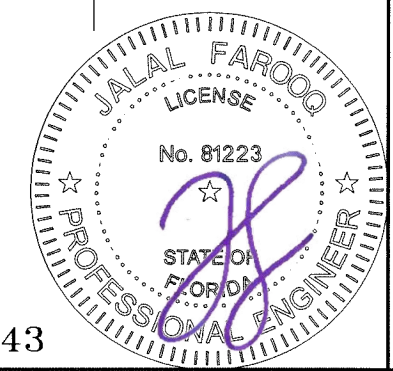
no	date	description

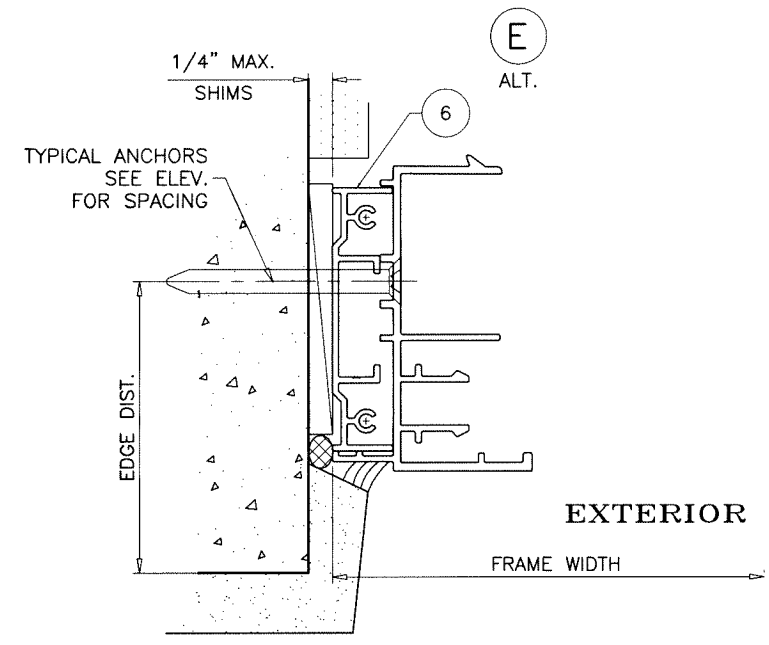
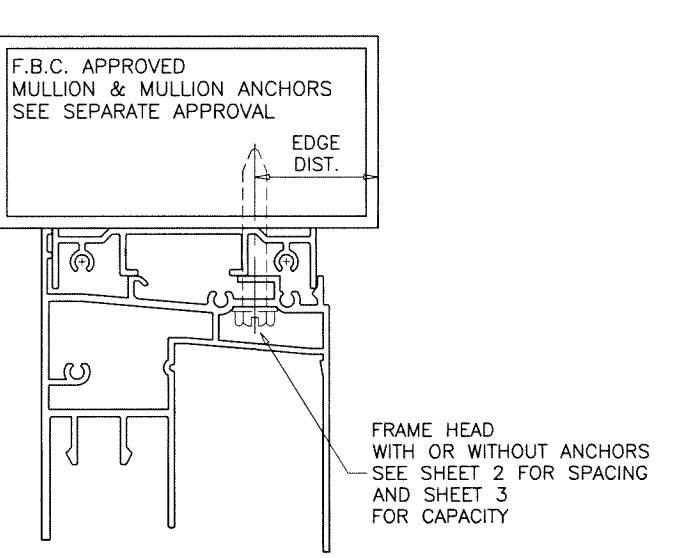
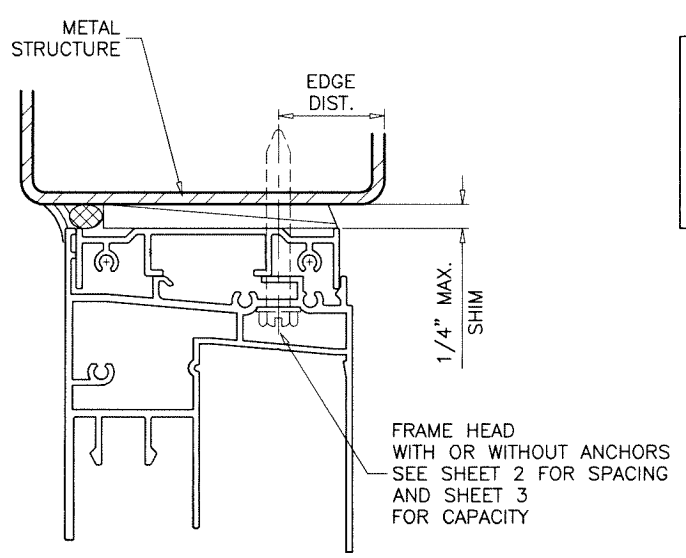
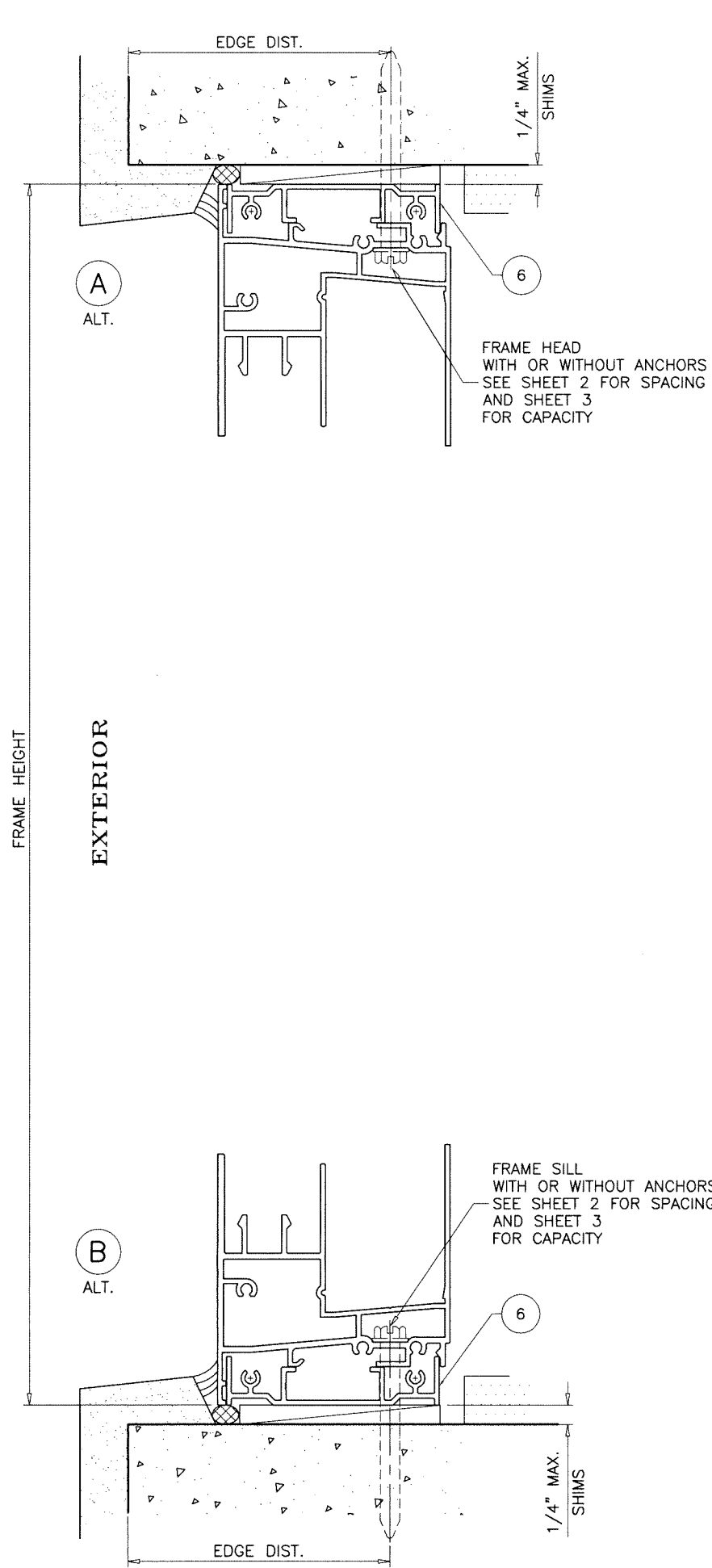
revisions:  
 no date description  
 05-09-24  
 scale: 1/2" = 1"  
 dr. by: TARIQ  
 chk. by:

drawing no.  
**24-29F**  
 sheet 7 of 12

Sealed: 2/6/2025

FL #46843





**FLANGE FRAMES WITH EQUAL LEG ADAPTERS**  
SEE SHEETS 5 & 7 FOR WINDOW DETAILS

Sealed: 2/6/2025

FL #46843



**AL-FAROOQ CORPORATION**  
ENGINEERS & PRODUCT DEVELOPMENT  
9360 SUNSET DRIVE, SUITE 220  
MIAMI, FLORIDA 33173  
TEL. (305) 264-8100 FAX. (305) 262-6978  
C.A.N. 3538  
COMP-ANL 24-29F-SWM

GRANDEUR SERIES-2023 ALUM H.R. WDW. (L.M.I.)  
**Sunshine Windows Manufacturing, Inc.**  
1785 West 33rd Place  
Hialeah, FL. 33012  
Tel. (305) 364-9952 Fax. (305) 828-5118

revisions:	
no	date by description

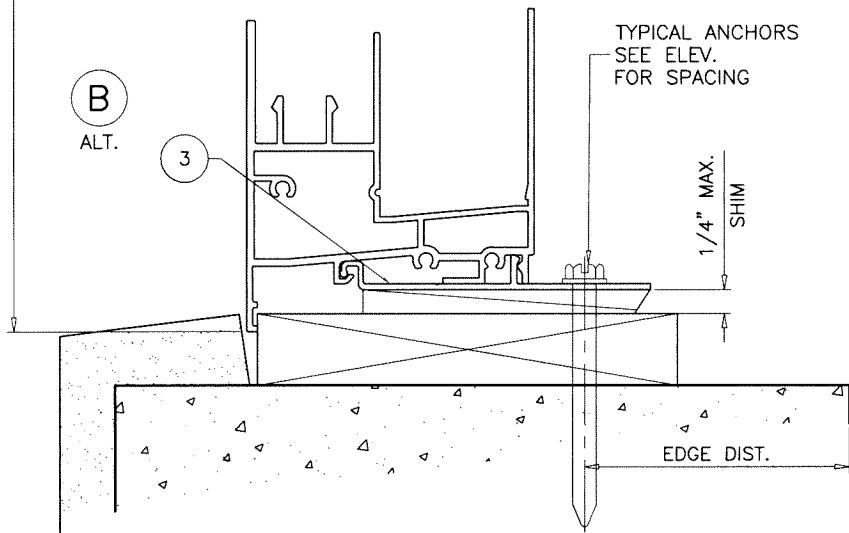
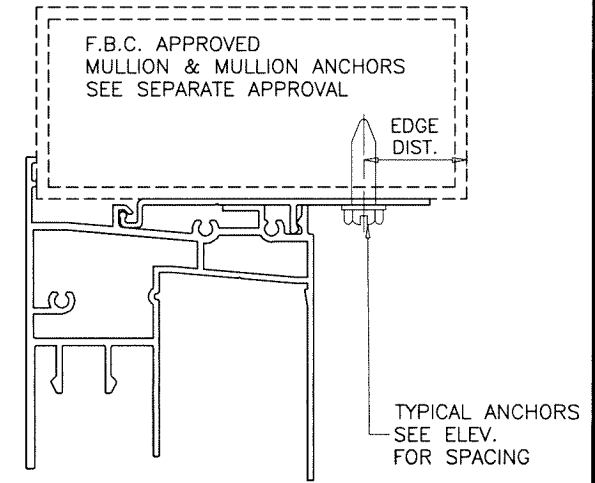
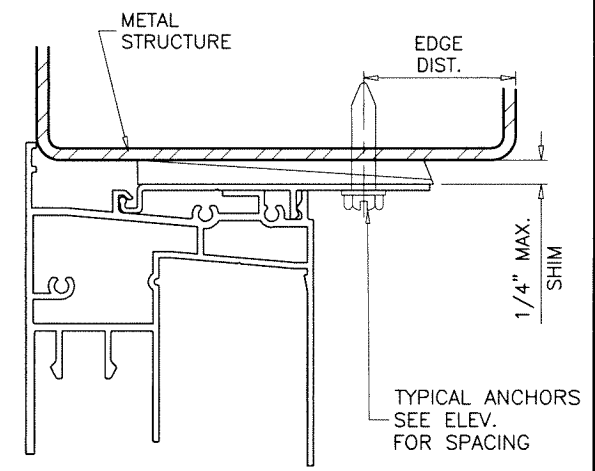
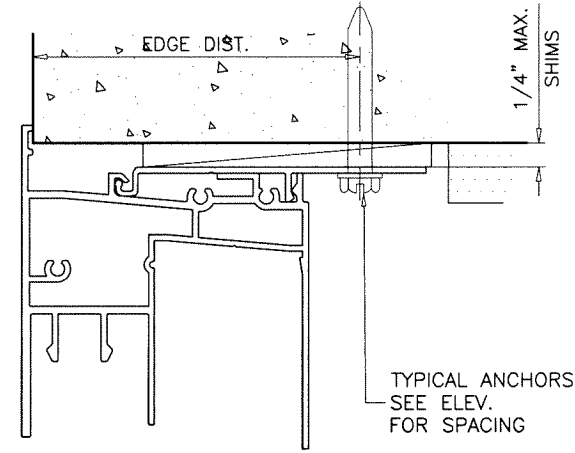
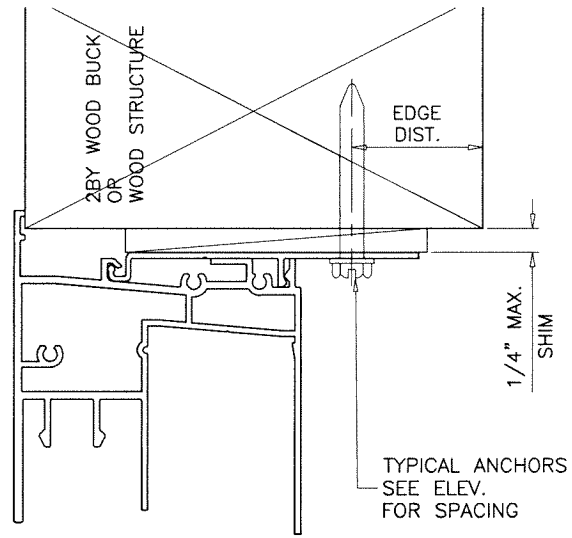
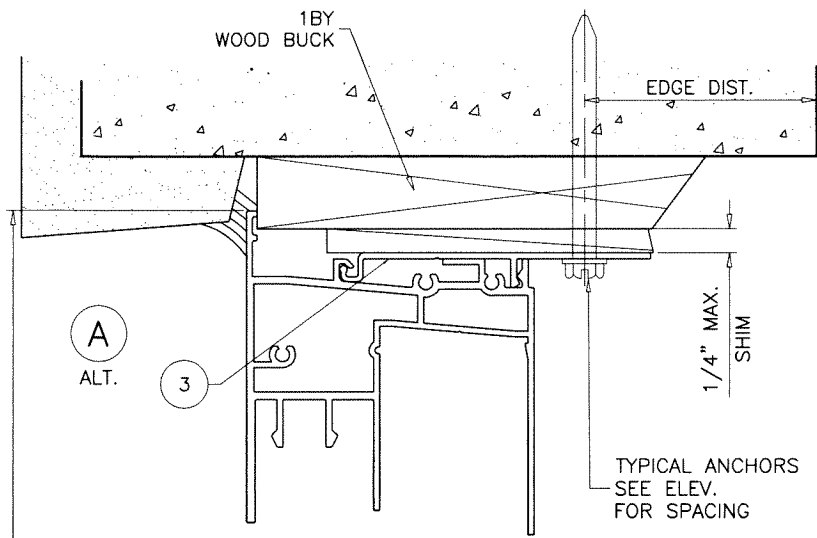
date: 05-09-24  
scale: 1/2" = 1"  
dr. by: TARIQ  
chk. by:  

drawing no.  
**24-29F**  
sheet 8 of 12



FRAME HEIGHT

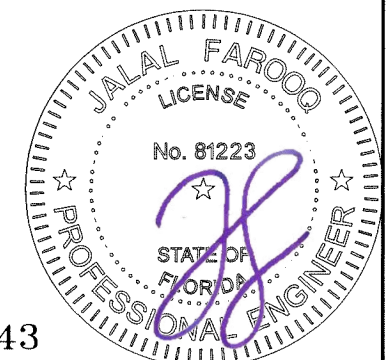
EXTERIOR



**FLANGE FRAMES WITH ANCHOR CLIP**  
SEE SHEETS 5 & 7 FOR WINDOW DETAILS

Sealed: 2/6/2025

FL #46843



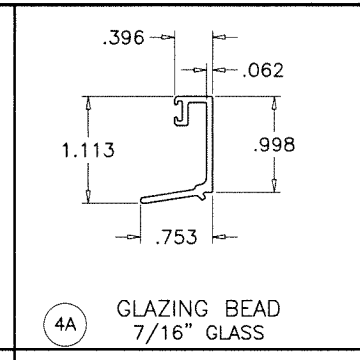
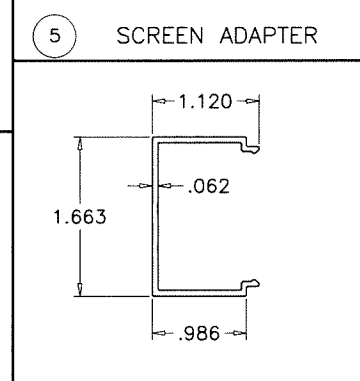
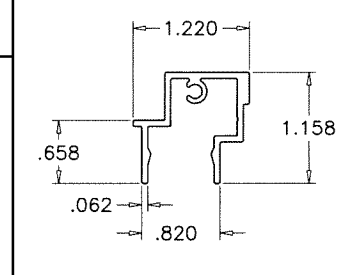
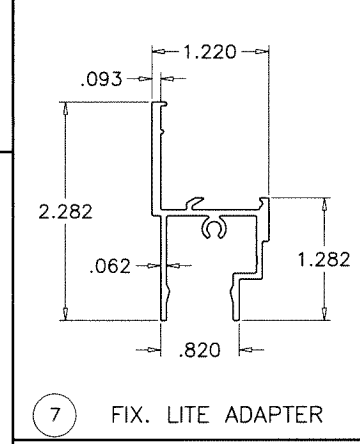
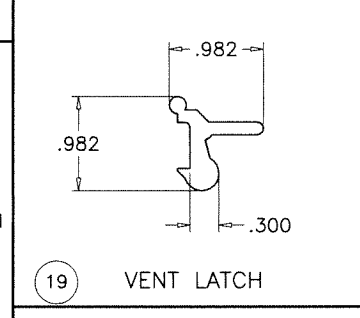
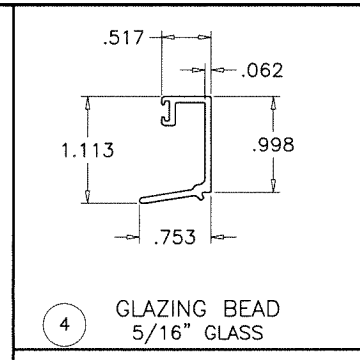
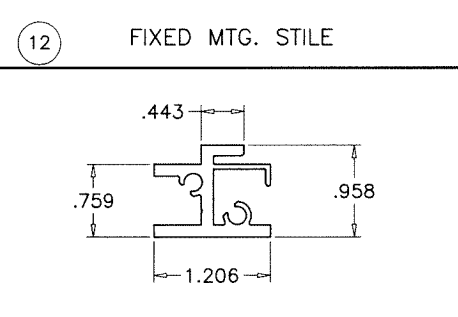
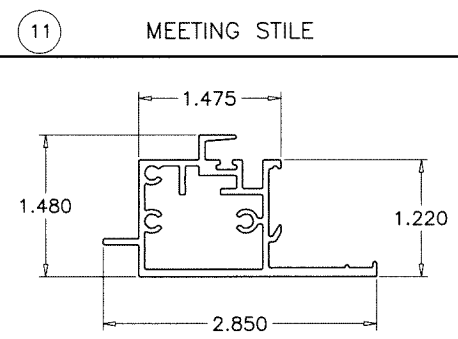
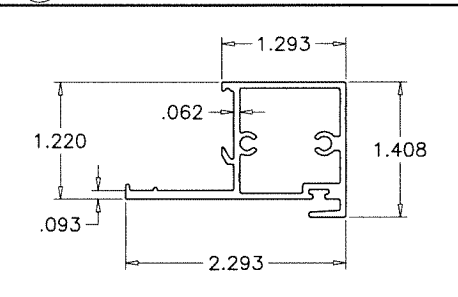
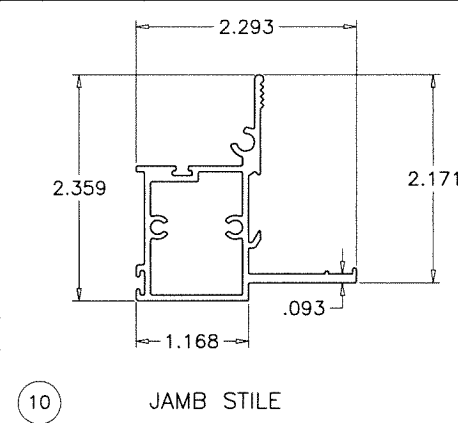
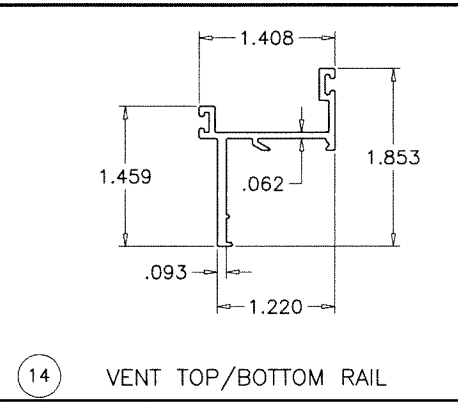
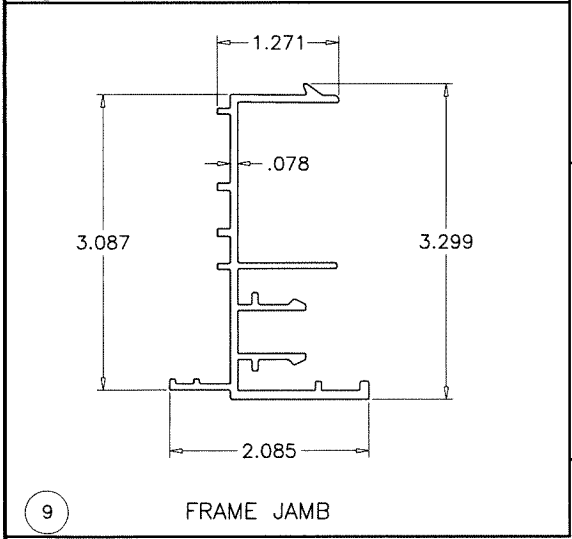
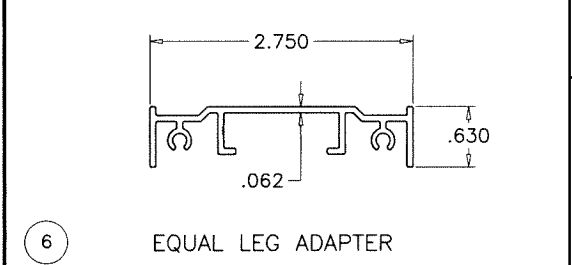
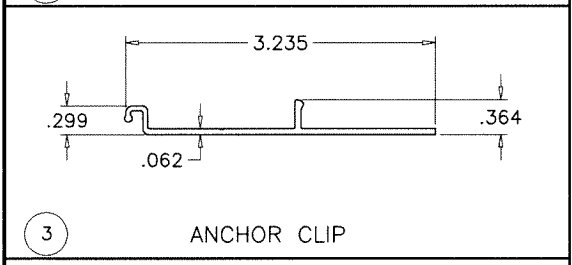
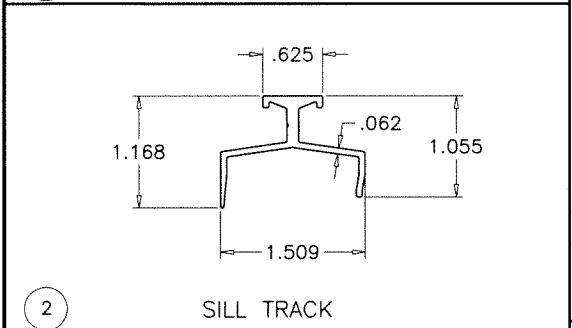
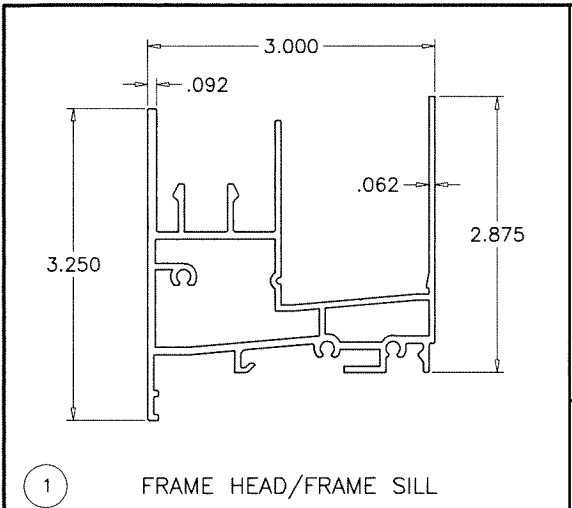
**AL-FAROOQ CORPORATION**  
ENGINEERS & PRODUCT DEVELOPMENT  
9360 SUNSET DRIVE, SUITE 220  
MIAMI, FLORIDA 33173 (C.A.N. 3538)  
TEL. (305) 264-8100 FAX. (305) 262-6978  
COMP-ANL 24-29F-SWM

GRANDEUR SERIES-2023 ALUM H.R. WDW. (L.M.I.)  
**Sunshine Windows Manufacturing, Inc.**  
1785 West 33rd Place  
Hialeah, FL. 33012  
Tel. (305) 364-9952 Fax. (305) 828-5118

revisions:	
no	date by description

date: 05-09-24  
scale: 1/2" = 1"  
dr. by: TARIQ  
chk. by:  

drawing no.  
**24-29F**  
sheet 9 of 12



1 FRAME HEAD/FRAME SILL

2 SILL TRACK

3 ANCHOR CLIP

6 EQUAL LEG ADAPTER

9 FRAME JAMB

14 VENT TOP/BOTTOM RAIL

10 JAMB STILE

11 MEETING STILE

12 FIXED MTG. STILE

13 SHEAR BLOCK

4 GLAZING BEAD  
5/16" GLASS

19 VENT LATCH

7 FIX. LITE ADAPTER

5 SCREEN ADAPTER

8 JAMB COVER

4A GLAZING BEAD  
7/16" GLASS

**af c**  
**AL-FAROOQ CORPORATION**  
 ENGINEERS & PRODUCT DEVELOPMENT  
 9360 SUNSET DRIVE, SUITE 220 (C.A.N. 3538)  
 MIAMI, FLORIDA 33173 FAX: (305) 262-6978  
 TEL: (305) 264-8100

GRANDEUR SERIES-2023 ALUM H.R. WDW. (L.M.I.)  
**Sunshine Windows Manufacturing, Inc.**  
 1785 West 33rd Place  
 Hialeah, FL. 33012  
 Tel. (305) 364-9952 Fax. (305) 828-5118

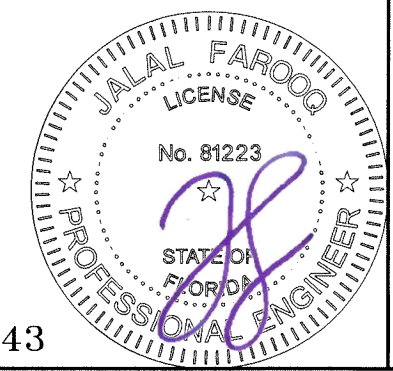
revisions:	no	date	by	description

date: 05-09-24  
 scale: 1/2" = 1"  
 dr. by: TARIQ  
 chk. by:

drawing no.  
**24-29F**  
 sheet 10 of 12

Sealed: 2/6/2025

FL #46843



ITEM	PART #	QUANTITY	DESCRIPTION	MATERIAL	MANF./SUPPLIER/REMARKS
1	SSW-094	2	FRAME HEAD/SILL	6063-T6	-
2	SSW-095	1	SILL TRACK	6063-T6	-
3	SSW-098	AS REQD.	ANCHOR CLIP, 6" LONG	6063-T6	-
4	SSW-066	AS REQD.	GLAZING BEAD (5/16" LAM. GLASS)	6063-T6	-
4A	TGOC-3669	AS REQD.	GLAZING BEAD (7/16" LAM. GLASS)	6063-T6	-
5	SSW-064	AS REQD.	SCREEN ADAPTER	6063-T6	-
6	SSW-069	AS REQD.	EQUAL LEG ADAPTER	6063-T6	-
7	SSW-063	AS REQD.	FIX. LITE ADAPTER	6063-T6	-
8	SSW-097	AS REQD.	JAMB COVER	6063-T6	-
9	SSW-101	2	FRAME JAMB	6063-T6	-
10	SSW-100	AS REQD.	JAMB STILE	6063-T6	-
11	SSW-060	AS REQD.	MEETING STILE	6063-T6	-
12	SSW-059	AS REQD.	FIXED MTG. STILE	6063-T6	-
13	SSW-096	2/ FIX. STILE	SHEAR BLOCK, 3" LONG	6063-T6	-
14	SSW-065	AS REQD.	VENT TOP/BOTTOM RAIL	6063-T6	-
15	ATP #060	2/ VENT	DOUBLE WHEEL HOUSING AT 1-1/2" FROM ENDS	PLASTIC	-
16	HRA-5241-1	-	WHEEL	ST. STEEL	-
17	W33191NK000B	AS REQD.	FIN SEAL W'STRIPPING	POLYPROPYLENE	ULTRAFAB
18	SL208-BKR/WHR	2/ VENT	SWEEP LOCK, 11" FROM EACH END	ZINC/STEEL	-
18A	#8 X 1/2"	2/ LOCK	LOCK FASTENERS	CRS	FH SMS
19	LL-900	2/ VENT	VENT LATCH WITH S/S SPRING, AT 11" FROM EACH END	ALUMINUM	-
20	MPI/ PN 83002	AS REQD.	BULB SEAL W'STRIPPING	TPV/POLYPROPYLENE	MELTPOINT, DUROMETER 65±5
21	MPI P/N 83010	AS REQD.	GLAZING BEAD BULB	TPV/POLYPROPYLENE	MELTPOINT
22	750	AS REQD.	1/4" X 1/4" DOUBLE FACE GLAZING TAPE	PE FOAM	ZIALOC
24	#8 X 1"	AS REQD.	FRAME/VENT ASSEMBLY SCREWS	CRS	PH SMS
25	#14 X 4"	AS REQD.	FIX. STILE FASTENERS	CRS	PH SMS
26	#6 X 3/8"	AS REQD.	SHEAR BLOCK FASTENERS	CRS	FH SMS
27	-	AS REQD.	SETTING BLOCKS AT 1/4 POINTS	EPDM	DUROMETER 80±5 SHORE A
28	ATP-054	AS REQD.	WEEP HOLE COVER	PLASTIC	-
29	-	1/ VENT	5/16" BOX SCREEN	-	OPTIONAL
30	-	-	-	-	-

**SEALANT:**

ALL JOINTS AND FRAME CONNECTIONS SEALED WITH SCHNEE MOREHEAD SM-5504 JOINT SEALER.

Sealed: 2/6/2025

FL #46843



**AL-FAROOQ CORPORATION**  
 ENGINEERS & PRODUCT DEVELOPMENT  
 9360 SUNSET DRIVE, SUITE 220  
 MIAMI, FLORIDA 33173 (C.A.N. 3538)  
 TEL. (305) 264-8100 FAX. (305) 262-6978

GRANDEUR SERIES-2023 ALUM H.R. WDW. (L.M.I.)  
**Sunshine Windows Manufacturing, Inc.**  
 1785 West 33rd Place  
 Hialeah, FL 33012  
 Tel. (305) 364-9952 Fax. (305) 828-5118

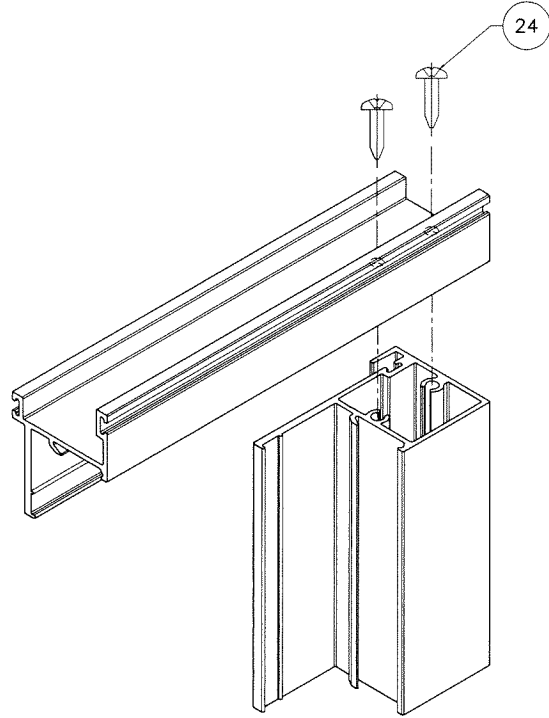
revisions:	no	date	by	description

date: 05-09-24  
 scale: 1/2" = 1"  
 dr. by: TARIQ  
 chk. by:

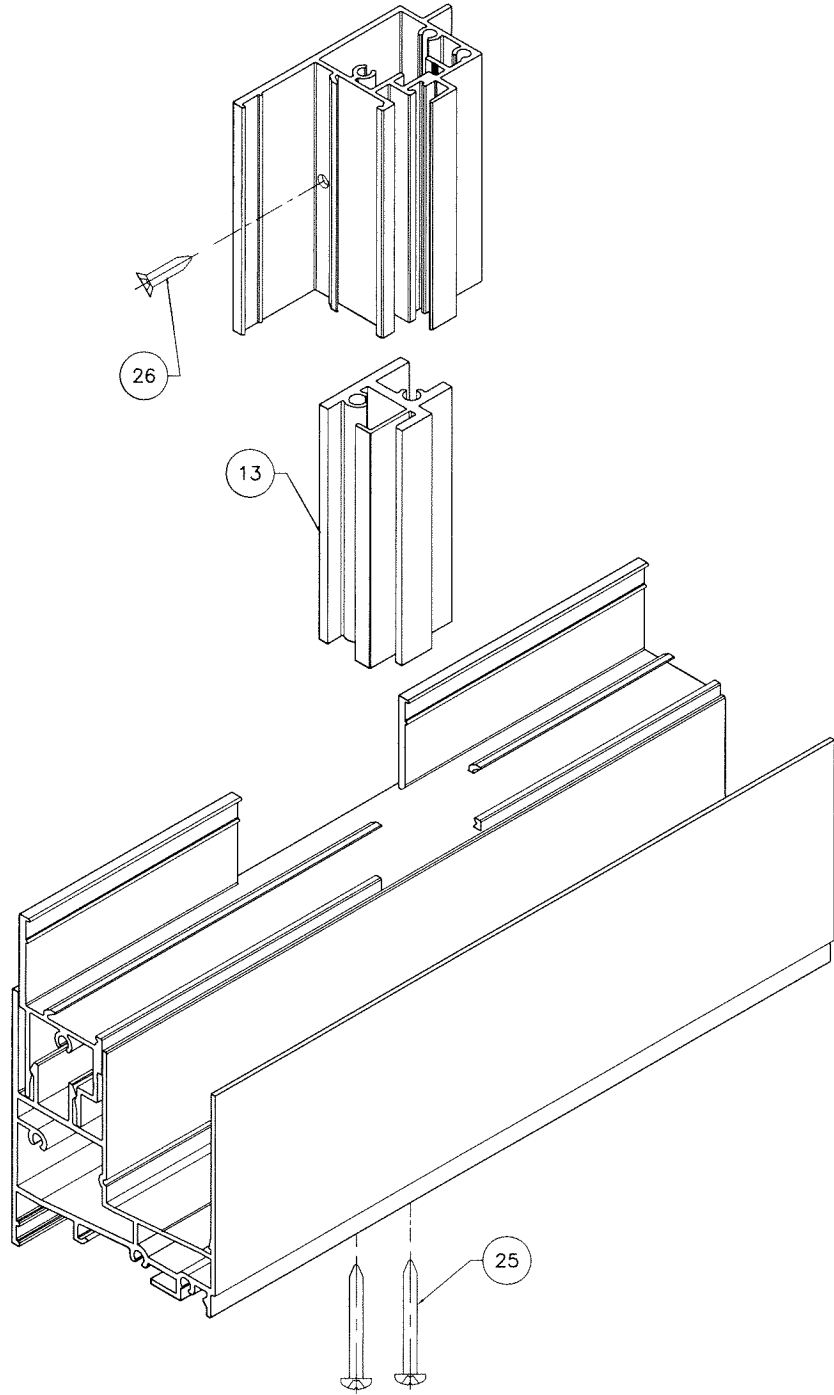
drawing no.  
**24-29F**

sheet 11 of 12

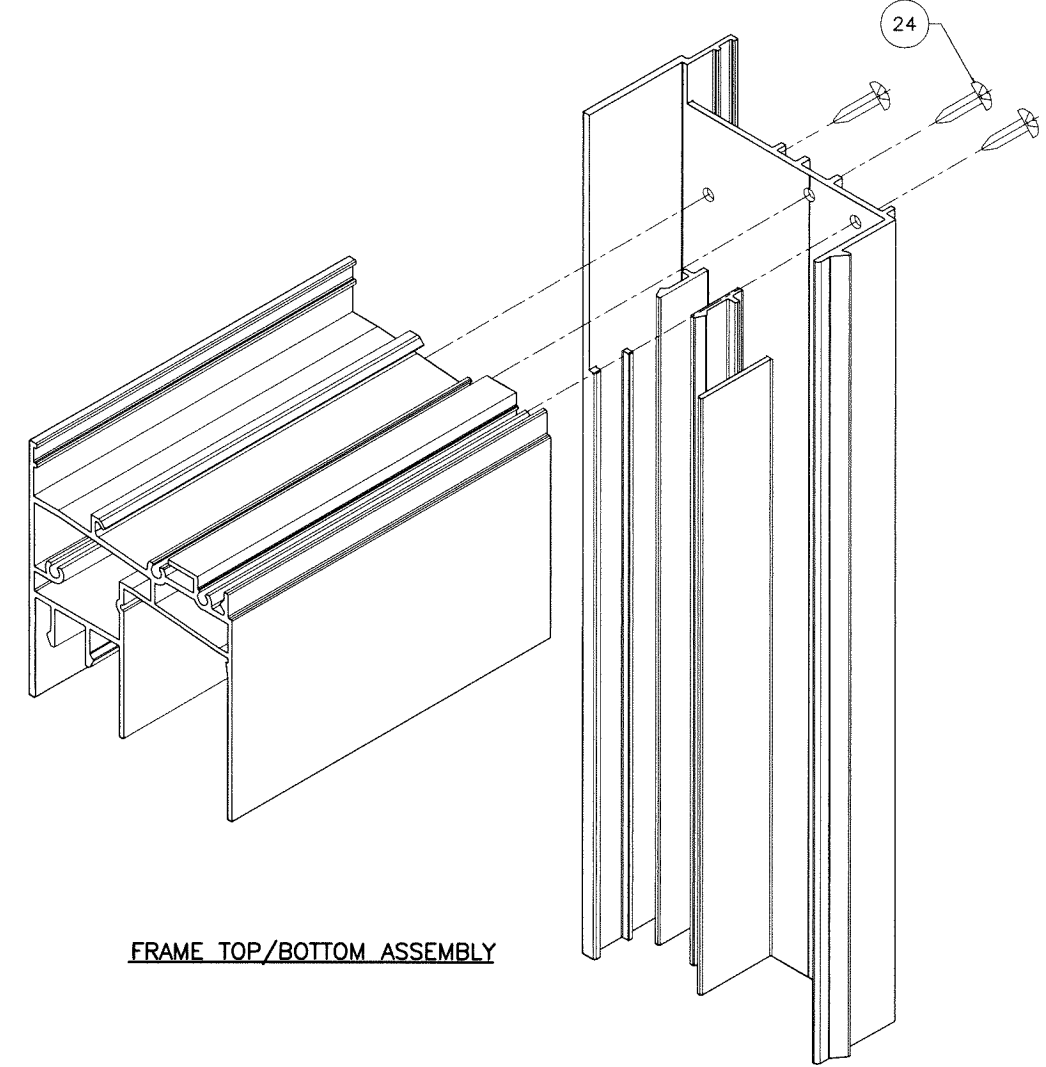
COMP-ANL\24-29F-SWM



VENT TOP/BOTTOM ASSEMBLY



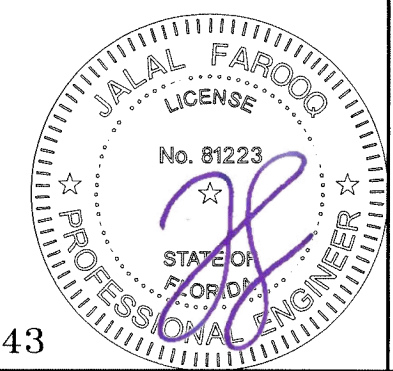
FIX. MTG. STILE TOP/BOTTOM ASSEMBLY



FRAME TOP/BOTTOM ASSEMBLY

Sealed: 2/6/2025

FL #46843



**afc**

**AL-FAROOQ CORPORATION**  
 ENGINEERS & PRODUCT DEVELOPMENT  
 9360 SUNSET DRIVE, SUITE 220 (C.A.N. 3538)  
 MIAMI, FLORIDA 33173  
 TEL. (305) 264-8100 FAX. (305) 262-6978  
 COMP-ANL \ 24-29F-SWM

---

GRANDEUR SERIES-2023 ALUM H.R. WDW. (L.M.I.)  
**Sunshine Windows Manufacturing, Inc.**  
 1785 West 33rd Place  
 Hialeah, FL 33012  
 Tel. (305) 364-9952 Fax. (305) 828-5118

revisions:	
no	date by description

date: 05-09-24	scale: 1/2" = 1"	dr. by: TARIQ	chk. by:
drawing no.		24-29F	
sheet 12 of 12			